

## KS edge protector

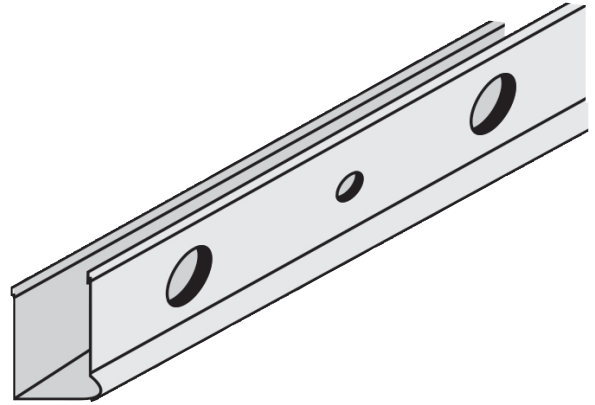
For plasterboard edges  
along exposed joints.

Datasheet

09/2025

### Description

Galvanised steel edge protector. The edge protectors are used on plasterboard edges that have exposed joints or where the joint is filled with compound sealant. The profile is fitted over the board before installation. KS 13 and KS 15 edge protectors are intended for single board layers and KS 26 for two layers. The profile is mitred at corners.



### KS 13

Property	Value	Unit
Length, width	mm	3000 x 13
Corrosions class		C1

### KS 15

Property	Value	Unit
Length, width	mm	3000 x 15
Corrosions class		C1

### KS 26

Property	Value	Unit
Length, width	mm	3000 x 26
Corrosions class		C1

### Knauf

Kløvermarksvej 6  
9500 Hobro  
Danmark

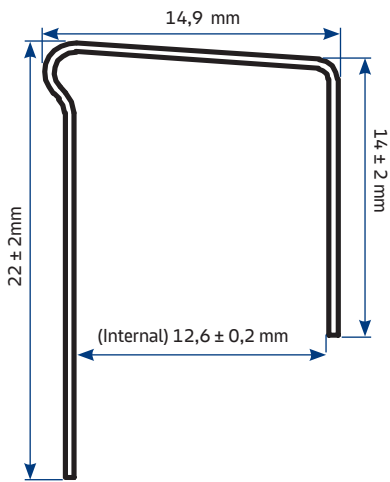
### Service:

kundeservice-dk@knauf.com

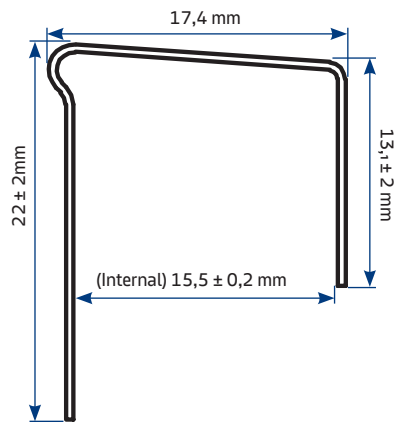
### Technical consulting:

teknik-dk@knauf.com

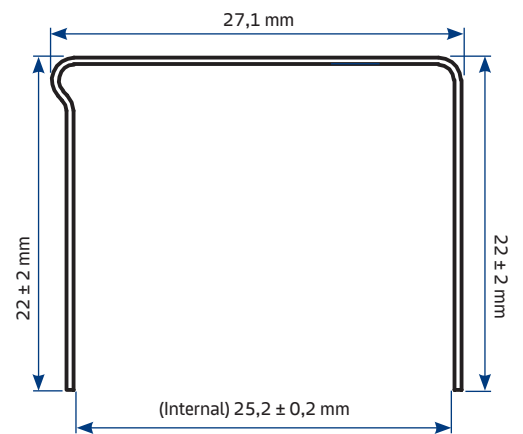
[www.knauf.dk](http://www.knauf.dk)



KS13



KS15



KS26

**Knauf**

Kløvermarksvej 6  
9500 Hobro  
Danmark

**Kundeservice:**

kundeservice-dk@knauf.com

**Teknisk afdeling:**

teknik-dk@knauf.com

[www.knauf.dk](http://www.knauf.dk)