

Exposed 15 mm grid system - System C

Key features

- System with 15 mm exposed profiles for an elegant appearance
- Patented golden "Quick-Release™ Clip" for high quality grid system installation
- Clear audible click-connection, and can be removed without tools
- Joggled Cross Tees override the Main Runners; preventing twisting of the Cross Tees

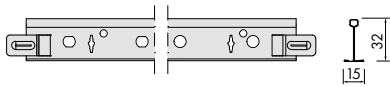
Application areas

- Healthcare / Classrooms / Meeting rooms / Individual offices

Physical data

- Material: galvanised steel
- Surface finish: baked polyester paint
- Colour: all products standard in DONN® White
- Other standard colours available on popular items

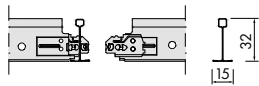
■ DONN® DX15 | Main Runners (bulb-to-bulb connection)



Item reference	Dimensions (mm)				Content/carton		Weight/carton kg	Cartons/pallet
	Length	Width	Height	Slot centres	pcs	lm		
DX15XM375W	3750	15	32	156.25	20	75.00	22.30	28
DX15XM370W	3700	15	32	100	20	74.00	22.00	28
DX15XM337.5W	3375	15	32	67.5	20	67.5	20.50	28

Available in Matt Black (LM), Metal 06 D for an additional charge. Special colours on request.

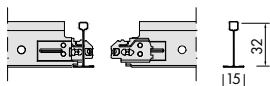
■ DONN® DX15 | Cross Tees (stab system - joggled GK)



Cross Tees - Slotted

Item reference	Length	Width	Height	Slot centres	Content/carton pcs	Weight/carton kg	Cartons/pallet
DX15XM135W	1350	15	32	337.5	60	81.00	24.50
DX15XM125W	1250	15	32	312.5	60	75.00	20.80
DX15XM120W	1200	15	32	300	60	72.00	20.00
DX15XM67.5W	675	15	32	337.5	60	40.50	12.50
DX15XM62.5W	625	15	32	312.5	60	37.50	10.80
DX15XM60W	600	15	32	300	60	36.00	11.00

Available in Matt Black (LM), Metal 06 D for an additional charge. Special colours on request.



Cross Tees - Unslotted

Item reference	Length	Width	Height	Slot centres	Content/carton pcs	Weight/carton kg	Cartons/pallet
DX15TM31.25W	312.5	15	32	-	60	18.75	4.00
DX15TM30W	300	15	32	-	60	18.00	4.00

Available in Matt Black (LM), Metal 06 D for an additional charge. Special colours on request.

Section Drawings

■ DONN® DX15 | Main Runners (bulb-to-bulb connection)

Length	78.125	156.25	21 x 156.25	156.25	78.125
3750	78.125	156.25	21 x 156.25	156.25	78.125
3700	50	100	34 x 100	100	50
3375	337.5	67.5	2 x 67.5	67.5	337.5

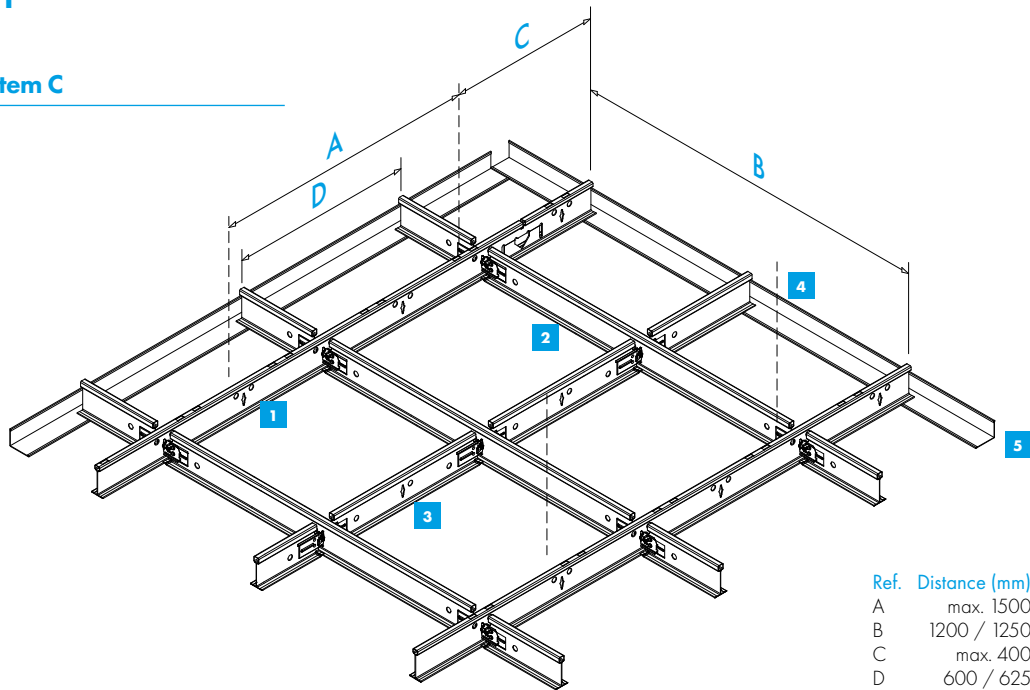
■ DONN® DX15 | Cross Tees (stab system - joggled GK)

Length	337.5	2 x 337.5	337.5
1350	337.5	2 x 337.5	337.5
1250	312.5	2 x 312.5	312.5
1200	300	2 x 300	300

Length	337.5	337.5
675	337.5	337.5
625	312.5	312.5
600	300	300

Length	312.5 / 300
312.5 / 300	312.5 / 300

System Drawing - System C



Ref.	Distance (mm)
A	max. 1500
B	1200 / 1250
C	max. 400
D	600 / 625

■ **Material required per m² (no waste included)**

No.	Description	Item reference	Module 600 x 600	Module 625 x 625	Module 1200 x 600	Module 1250 x 625
1	Main Runner	DX15XM370W DX15XM375W	0.84 lm	– 0.80 lm	0.84 lm	– 0.80 lm
2	Long Cross Tee	DX15XM120W DX15XM125W	1.67 lm	– 1.60 lm	1.67 lm	– 1.60 lm
3	Short Cross Tee	DX15XM60W DX15XM62.5W	0.84 lm	– 0.80 lm	–	–
4	Hanger	–	0.70 pcs	0.64 pcs	0.70 pcs	0.64 pcs
	Retaining Clip	–	5.56 pcs	5.56 pcs	5.56 pcs	5.56 pcs
	Tiles	–	2.78 pcs	2.56 pcs	1.39 pcs	1.28 pcs
5	Perimeter Trim	–	Dependent on room dimensions (approx. 0.6 lm/m ²)			

■ **Load Table | Maximum permissible weight (kg/m²)**

Main Runner distances Hanger distance A (mm)	1200 mm	1250 mm	600 mm	625 mm
	Module 600x600, 1200x600	Module 625x625, 1250x625	Module 600x600, 1200x600	Module 625x625, 1250x625
800	11.7	10.8	23.3	22.4
1000	9.7	8.8	20.8	20.0
1200	6.7	6.2	15.7	15.1
1500	3.1	3.0	7.8	7.5

Note:
 The load per m² must be evenly distributed (no extra point loads).
 After loading, the deflection will remain within the permitted deflection according to class 1 (L/500) of EN 13964, provided the grid is laid out as shown.



For other grid layouts, load capacities or hanger distances, please contact Knauf Ceiling Solutions.

Fire reaction		Euroclass A1 as per EN 13501-1	RUS KMO (NG) / KM1 (G1, V1, D1, T1) as per 123-FZ
Indoor air quality		 A+	 ISO 3
Cleanability			
Sustainability		 EN ISO 14021 25%	 EN ISO 14025 Green Building certified by Green Building Council
Design options			

All measurements in millimetres. All sizes are nominal.
 Cross Tee alignment is achieved by locating the tees to the left-hand side of the adjoining section.

Products may vary from country to country. Please contact your local sales representative.
 For further information and legal notice, please visit our website.
knaufceiling.com