



## F185.de

System data sheet

02/2022

# Knauf GIFAfloor DB green raised access floor

F185.de – Knauf raised access floor

## Note on English translation / Hinweise zur englischen Fassung

This is a translation of the System Data Sheet valid in Germany.

All stated details and properties are in compliance with the regulations of the German standards and building regulations. They are only applicable for the specified products, system components, application rules, and construction details in connection with the specifications of the respective certificates and approvals.

Knauf denies any liability for applications outside of Germany as this requires changes acc. to the respective national standards and building regulations.

Dies ist eine Übersetzung des in Deutschland gültigen Detailblattes. Alle angegebenen Werte und Eigenschaften entsprechen den in Deutschland gültigen Normen und bauaufsichtlichen Regelungen. Sie gelten nur bei Verwendung der angegebenen Produkte, Systemkomponenten, Anwendungsregeln und Konstruktionsdetails in Verbindung mit den Vorgaben der bauaufsichtlichen Nachweise.

Die Knauf lehnt jegliche Haftung für Einsatz und Anwendung außerhalb Deutschlands ab, da in diesem Fall eine Anpassung an nationale Normen und bauaufsichtliche Regelungen notwendig ist.

# Content

	<b>Instructions for use</b>	
	<b>Notes</b> .....	3
	Notes on the document .....	3
	References to other documents .....	3
	Pictograms in the system data sheet .....	3
	Intended use of Knauf Systems .....	3
	General information on Knauf Systems .....	3
	Application areas.....	3
	<b>Introduction</b>	
	<b>System overview</b> .....	4
	<b>Data for planning</b>	
	<b>Product overview Knauf GIFAfloor DB green</b> .....	5
	<b>Fundamentals of statics</b> .....	6
	<b>Static characteristic values</b> .....	7
	<b>Fire resistance</b> .....	8
	<b>Sound insulation</b> .....	9
	<b>Implementation details</b>	
	F185.de Knauf GIFAfloor DB green .....	10
	<b>Assembly and processing</b>	
	<b>Planning and layout of joints</b> .....	11
	<b>Laying</b> .....	12
	<b>Pedestals</b> .....	13
	<b>Construction and substrate</b> .....	14
	<b>Surface treatment and top layer</b> .....	14
	<b>Information on sustainability</b>	
	<b>Information on sustainability of Knauf GIFAfloor DB green</b> .....	15

### Notes on the document

Knauf system data sheets are the planning and implementation basis for planners and contractors for the application of Knauf systems. Unless otherwise stated, the information and specifications, design variants, implementation details and products listed are based on the certificates of usability valid at the time of preparation (e. g. general building authority test certificates abP and/or general building authority approvals abZ) and standards valid at the time of preparation. In addition, building physics (fire resistance and sound insulation), design and static requirements are taken into account.

The implementation details contained are examples and can be used analogously for different cladding variants of the respective system. However, in the case of fire resistance and/or sound insulation requirements any additional measures and/or restrictions that may be required must be taken into account.

### References to other documents

#### System data sheets

- [F18.de Knauf GIFAfloor FHB hollow floor system](#)
- [F19.de Knauf GIFAfloor LBS line-bearing floor systems](#)

#### Technical sheets

- Observe the technical sheets of the individual Knauf system components

### Intended use of Knauf Systems

Please observe the following:

<b>Caution</b>	Knauf systems may only be used for the application cases as stated in the Knauf documentation. In case third-party products or components are used, they must be recommended or approved by Knauf. Flawless application of products/ systems assumes proper transport, storage, assembly, installation, and maintenance.
----------------	--

### General Information of Knauf Systems

#### Range of use

Knauf GIFAfloor DB green raised access floors are used indoors, e. g. to accommodate all kinds of building services installations. Depending on the choice of base layer and pedestals, they can be used for almost all areas of application e. g. office, commercial, hotel, meeting, exhibition, and airport buildings with loose laying textile coverings.

#### Application areas

- Hotel construction
- Office construction
- Schools
- Airports

#### Knauf GIFAfloor DB green raised floor system

Knauf GIFAfloor DB green consists of homogeneously constructed gypsum fibre elements with a distinctive edge geometry. The elements are manufactured in such a way that they do not require the usual plastic edging tape.

The result is an absolutely flat surface for the installation of any type of self-laid loose textile covering. By eliminating the plastic edges, this raised floor variant GIFAfloor DB green is even less problematic to recycle than conventional raised floor elements.

#### F185.de raised access floor



#### F185.de Knauf GIFAfloor DB green raised access floor system

**GIFAfloor standard elements**

Schematic diagrams without scale	Technical data						
	Element Designation acc. to EN 15283-2	Dimension Element-coverage mm	Element-thickness mm	Weights (Gross density $\geq 1500 \text{ kg/m}^3$ ) Element approx. kg/pc    approx. kg/m <sup>2</sup>		Material-number	Packaging-unit Palletising
	<b>GIFAfloor DB green-Elements</b>						
	<b>DB 30 green</b> GF-DIRW1/600/600/30-C1/ASK	600 x 600	<b>30</b>	17.4	48.3	00612087	50 pcs./pal.
	<b>DB 36 green</b> GF-DIRW1/600/600/36-C1/ASK	600 x 600	<b>36</b>	20.9	58	00629409	50 pcs./pal.
	<b>DB 40 green</b> GF-DIRW1/600/600/40-C1/ASK	600 x 600	<b>40</b>	23.2	64.5	00629413	40 pcs./pal.

Material	Mat.-Nr.	PU	Consumption in g/m <sup>2</sup>
Knauf screed primer	5355	10 kg-bucket	Approx. 200
GIFAfloor edge insulation strip MW	109147	100 pcs/box	As required
GIFAfloor foam tape sk	74339	10 m roll	As required
GIFAfloor grid rod light	74336	Piece	As required
GIFAfloor grid rod heavy	74337	Piece	As required
GIFAfloor thread pedestal M16S (Head $\varnothing$ 90 mm, Foot $\varnothing$ 98 mm)	See page 13	See price list	As required
GIFAfloor plug pedestal M16ST (Head $\varnothing$ 90 mm, Foot $\varnothing$ 98 mm)	See page 13	See price list	As required
GIFAfloor plug pedestal M20ST (Head $\varnothing$ 90 mm, Foot $\varnothing$ 98 mm; Rod 24 x 2 mm)	See page 13	See price list	As required
GIFAfloor support plate M16/M20 with 4 nubs	30098	150 pcs/box	As required
GIFAfloor pedestal adhesive EC 1	260231	600 ml foil tube	Approx. 15 ml/pedestal
GIFAfloor pedestal lock EC 1	776410	500 g bottle	Approx. 1 bottle/250 pedestals

Tools	Mat.-Nr.	PU	Consumption
Knauf adhesive gun	4657	Piece	As required
GIFAtool Diamond (Diamond-tipped saw blade 160 x 2.2 / 1.6 x 20)	186326	Piece	As required

## Fundamentals

Use categories and live loads based on DIN EN 1991-1-1/NA:2010-12

Live load assumptions according to EN 1991-1-1/NA:2010-12<sup>1)</sup>

Cat.	Utilization	Examples	kN <sup>2)</sup>
–	–	Non-accessible jamb walls	N.A.
A1	Pointed floors	Roof space not suitable for residential purposes but accessible up to 1.80 m clear height	1.0
A3	Living and recreation rooms	Rooms and corridors in residential buildings, bed rooms in hospitals, hotel rooms including associated kitchens and bathrooms	1.0
B1	Office spaces, workspaces, corridors	Corridors in office buildings, office spaces, medical practices without heavy equipment, ward rooms, recreation rooms including corridors.	2.0
B2		Corridors and kitchens in hospitals, hotels, old people's homes, corridors in boarding schools, etc., treatment rooms including operating rooms in hospitals without heavy equipment; basement rooms in residential buildings.	3.0
B3		As B1 and B2, but with heavy equipment	4.0
C1	Rooms, assembly rooms and areas which may be used for the assembly of persons (with the exception of categories defined under A,B,D).	Areas with tables, e.g. day nurseries, crèches, school rooms, cafés, restaurants, dining rooms, reading rooms, reception rooms, teachers' rooms	4.0
C2		Areas with fixed seating, e.g. areas in churches, theatres or cinemas, congress halls, lecture halls, waiting rooms	4.0
C3		Freely accessible areas, e.g. museum areas, exhibition areas, etc. and entrance areas in public buildings, hotels, as well as corridors belonging to use category C1 to C3	4.0
C4		Sports and play areas; dance halls, sports halls, gymnastics and weight training rooms, stages	7.0
C5		Areas for large gatherings of people, e.g. in buildings such as concert halls, terraces and entrance areas as well as grandstands with fixed seating.	4.0
D1	Salesrooms	Areas of sales rooms up to 50 m <sup>2</sup> floor space in residential, office and comparable buildings	2.0
D2		Space in retail shops and department stores	4.0
D3		Areas as D2, but with increased individual loads due to high storage racks	7.0
E1	Factories, workshops and warehouses	Areas in factories and workshops with light operations	4.0
E2		General storage areas including libraries	7.0
E3		Areas in factories and workshops with medium or heavy operations	10.0
T1	Stairs and landings	In residential buildings, office buildings, and doctor's practice without heavy equipment	2.0
T3		Entrances and stairs of grandstands without fixed seating that serve as escape routes	3.0

1) In Eurocode 1: Part 1 - 1 General actions on structures - Weights, deadweight and live loads in building construction, which is the basis for the above-mentioned EN, a load introduction through a square with an edge length of 50 mm is assumed.

2) The above-mentioned live load assumptions (concentrated loads/point loads) "apply as predominantly static".

■ If higher loads are planned for the use of the object, these are binding for the static design in the GIFAfloor system selection.

<b>Note</b>	Knauf systems may only be used for the application cases as stated in the Knauf documentation. In case third-party products or components are used, they must be recommended or approved by Knauf. Flawless application of products/systems assumes proper transport, storage, assembly, installation, and maintenance.
-------------	---

**F185.de Knauf GIFAfloor DB green permissible payloads [kN]**
**Raised floor GIFAfloor DB green**

Permissible payloads [kN]	Safety factor	Breaking load [kN]	Displacement class	Pedestals
GIFAfloor DB green 30				
2	2	≥ 4	A	S
GIFAfloor DB green 36				
3	2	≥ 6	A	S
GIFAfloor DB green 40				
4	2	≥ 8	A	S

EN 12825 raised access floors specifies the test methods and classifications of raised access floors. Area load capacities are not to be considered as load-bearing properties. Only the "point load capacity" is considered as the decisive property. For raised floors, the panel grid dimension corresponds to the edge lengths and the raised floor panel.

The working loads of GIFAfloor raised access floors given in the tables are the permissible point or individual loads. Live loads are variable, mobile loads (e.g. people, furniture...) that act on the GIFAfloor raised access floors. GIFAfloor raised access floors are suitable for dynamic loads. Verified by tests according to EN 12825 (safety factor 2) and application guideline from BVS issue 11/2014.

<b>Note</b>	If moving loads are planned, e.g. by pallet trucks, forklift trucks or similar, the highest individual wheel load in each case must be multiplied by the vibration coefficient $\varphi$ in order to determine the working load.
	Point load to be applied = effective individual load x vibration coefficient $\varphi$
	Manually operated traction units vibration coefficient $\varphi \geq 1,3$
	Motor-driven mobile units vibration coefficient $\varphi \geq 1,5$
	Pedestals: S = System grid of the pedestals 600 x 600 mm

**Load class categorisation of raised floors according to EN 12825 <sup>1)</sup>**

Load class	Breaking load [kN]	Safety factor	Payload <sup>2)</sup> [kN]
1	≥ 4	2	2
2	≥ 6	2	3
3	≥ 8	2	4
4	≥ 9	2	4.5
5	≥ 10	2	5
6	≥ 12	2	6

1) EN 12825 raised access floors specifies the test methods and classifications of raised floors.

The test is carried out in deviation to EN 1991-1-1/NA:2012-12 with a test stamp 25 x 25 mm (intensified point load simulation) until the failure of the floor system without covering at its weakest point.

2) The payload is calculated from the ratio of the breaking load and the safety factor

**Requirements displacement classes**

Displacement class	Maximum displacement [mm]
A	2.5
B	3.0
C	4.0

EN 12825 raised access floors specifies the test methods and classifications of raised access floors. For a load equal to the live load (breaking load divided by the safety factor), the measured vertical displacement must not exceed the values given in the table.

**Fire resistance effect**

GIFAfloor raised access floors protect the space above the GIFAfloor in the event of fire exposure from the cavity; in the event of fire exposure from the top of the GIFAfloor, they ensure the load-bearing capacity of the raw ceiling for the duration of the classification.

**Classification fire resistance**

GIFAfloor DB green Thickness [mm]	Fire resistance duration Minutes	Classification <sup>1)</sup>	Knauf Integral pedestals	
			Type	Height [mm]
Fire retardant (F30) fire retardant coording to DIN 4102-2 (Verification AbP P-BWU03- I 17.1.65 from 13.12.2021)				
≥ 30	≥ 30	F30	M16 S	≤ 382
			M16 ST	≤ 580
			M20 ST 2.0	≤ 580
			M20 ST 3.0	≤ 580
Fire retardant (REI30) fire retardant coording to EN 13501-2 (Verification classification report 20191512/05 from 27.04.2021) <sup>2)</sup>				
≥ 30	≥ 30	REI30	M16 S	≤ 395
			M16 ST	≤ 580
			M20 ST 2.0	≤ 640
			M20 ST 3.0	≤ 1000
			M20 ST 3.0 with pedestal covering	≤ 1190
Highly fire retardant (REI60) fire retardant coording to EN 13501-2 (Verification classification report 20191512/05 from 27.04.2021) <sup>2)</sup>				
≥ 36	≥ 60	REI60	M16 S	≤ 395
			M16 ST	≤ 580
			M20 ST 2.0	≤ 640
			M20 ST 3.0	≤ 1000
			M20 ST 3.0 with pedestal covering	≤ 1190

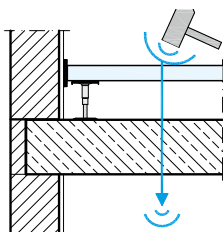
- 1) If fire protection is required, only Knauf edge insulation strips (A1, melting point > 1000°C) may be used as edge connections to rising building components
- 2) Approval in individual cases must be applied for at the responsible building supervisory authority. We recommend that you consult with the persons and/or authorities responsible for fire protection prior to construction.

### Notes on sound insulation

The vertical airborne sound insulation is given by the solid raw ceiling and is positively influenced by the additional installation of a GIFAfloor raised access floor.

### Standard impact sound level $L_{n,w}$

The impact sound improvement measure  $\Delta L_w$  indicates the improvement of the impact sound insulation on a standard ceiling.

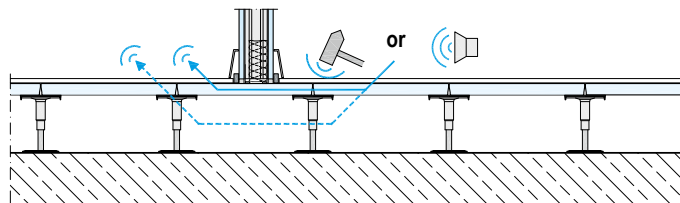


### Standard flank impact sound level $L_{n,f,w}$

The standard flank impact sound level  $L_{n,f,w}$  indicates the impact sound transmission via the raised floor construction from one room to the neighbouring room. The lower the weighted standard flank impact sound level  $L_{n,f,w}$  the better the horizontal impact sound insulation of the installed raised access floor.

### Standard flank level difference $D_{n,f,w}$

The standard flank level difference  $D_{n,f,w}$  indicates the airborne sound transmission via the raised access floors construction from one room to the neighbouring room. The higher the weighted standard flank level difference  $D_{n,f,w}$  the better the horizontal airborne sound insulation of the installed raised access floor.



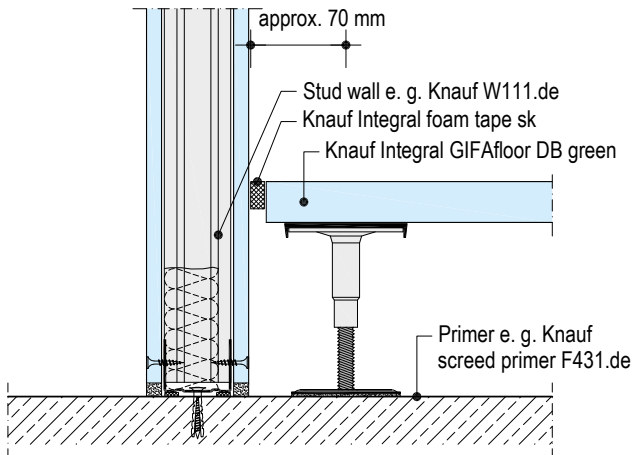
### Sound insulation

GIFAfloor raised floor	Standard flank level differences, standard flank impact sound level and impact sound improvement measures (VM) on solid ceilings	Structure with joint and partition				
		W/o covering	With covering			
			VM 18dB	VM 24dB	VM 27dB	VM 30dB
DB green 30	Standard flank level difference $D_{n,f,w,P}$ [dB]	64	63	62	61	63
	Standard flank impact sound level $L_{n,f,w,P}$ [dB]	40	34	32	33	28
	Standard impact sound level $\Delta L_{w,P}$ [dB]	19	27	30	31	32
DB green 36	Standard flank level difference $D_{n,f,w,P}$ [dB]	64	64	62	62	64
	Standard flank impact sound level $L_{n,f,w,P}$ [dB]	35	30	29	29	26
	Standard impact sound level $\Delta L_{w,P}$ [dB]	19	29	31	32	34
DB green 40	Standard flank level difference $D_{n,f,w,P}$ [dB]	66	65	64	64	66
	Standard flank impact sound level $L_{n,f,w,P}$ [dB]	34	30	29	28	24
	Standard impact sound level $\Delta L_{w,P}$ [dB]	19	29	31	32	33

Details

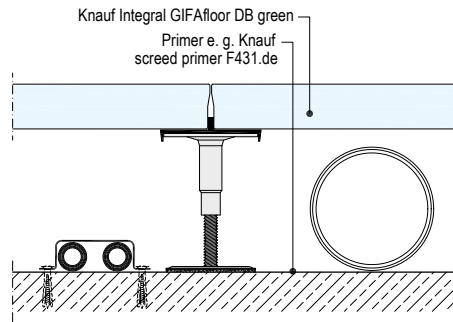
F185.de-V1 Connection to stud wall

Without fire protection



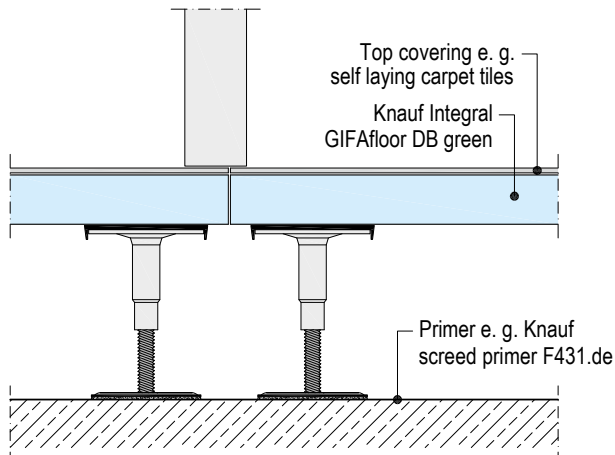
F185.de-V3 Use of the cavity for installations

Without fire protection



F185.de-V9 Joint arrangement under door leaf

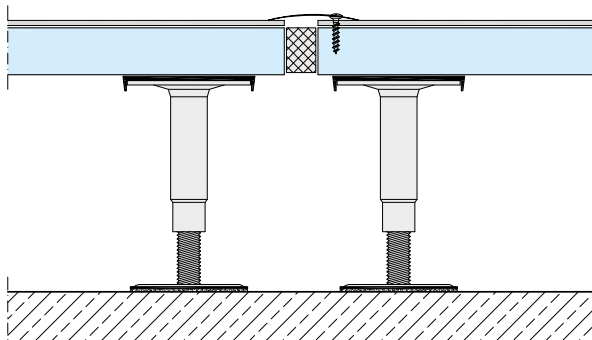
Without fire protection



F185.de-V10 Installation of joint cover profile

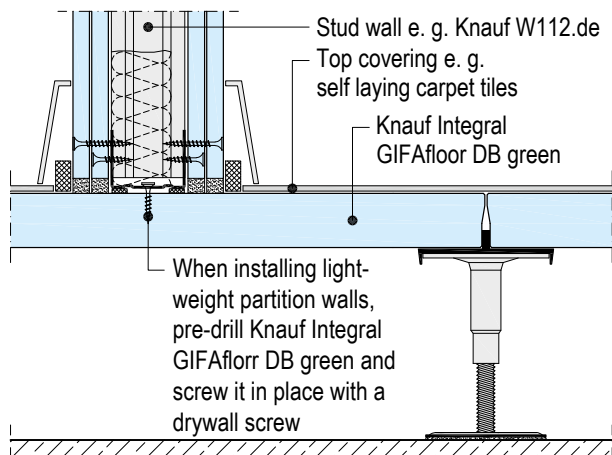
Without fire protection

■ **Caution:**  
Fix joint cover profile on one side only



F181.de-V8 Partition wall on GIFAfloor DB green – W112.de

Without fire protection



### Planning and layout of joints

Every building material, every building component and every building structure changes its size with changing climatic conditions. Movements also occur in the building component (e.g. permissible deflections) and in the building structure (e.g. building settlements) due to the dead weight of the building materials used and due to additional loads. This is why joints are necessary and must be planned. Joints should always be placed where cracks are expected.

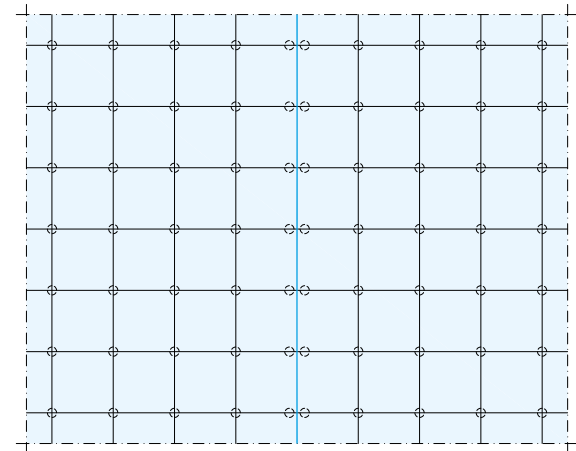
There are different types of joints in construction:

- Building separation joints divide a structure into individual partial buildings. These joints must be adopted in all building components at the same point.
- Building component expansion joints divide building components into areas that form a unit in themselves and can absorb any changes in length that occur without damage. These joints are to be adopted by subsequent trades in all building components at the same point.
- Transition joints are to be arranged in case of changes of building material within a building component. Depending on their location, they can also be executed as hairline joints.
- Edge connection joints are to be planned and executed at all ends of a building component. They can take on the function of expansion joints. For example, they must be continued as a joint of sufficient width in the area of doorways. If the direction of the edge connection joint changes, e.g. in the case of L- and U-shaped surfaces, it is usually necessary to continue the joint as an expansion joint at least in one line.

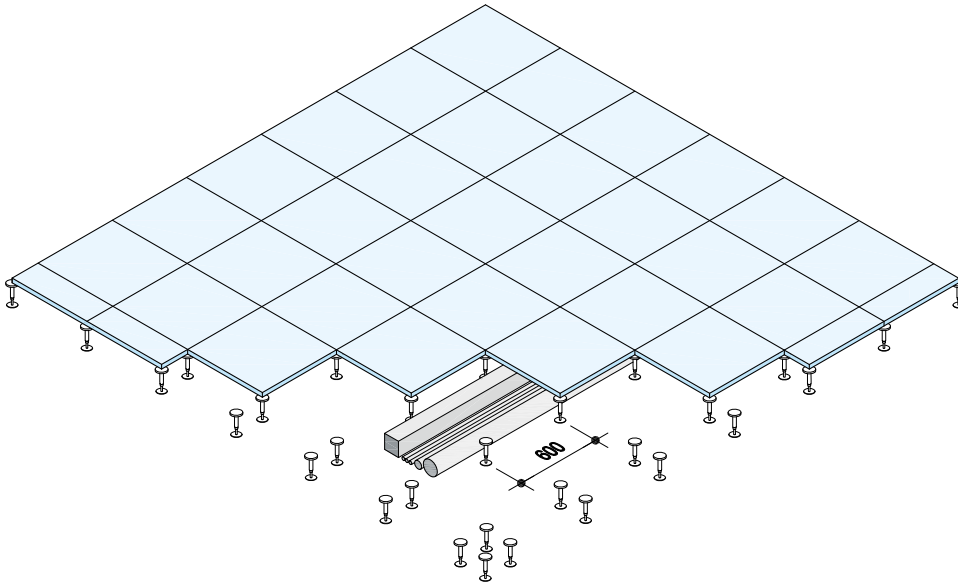
Acoustically effective separations within building components (in short: separating cut/ decoupling cut/ parting joint) separate partial areas from a component and change its geometry, which must be taken into account when planning expansion joints.

Form the most compact partial areas possible through the joints, i.e. the closer the resulting partial areas correspond to an edge ratio of 1:1 (=square), the larger the areas can become. In the case of asymmetrical surfaces (e.g. trapezoidal shape), special care must be taken when making the joints. The long edges are decisive here. The joint design (profile) must have the load-bearing capacity of the raised access floor at every point.

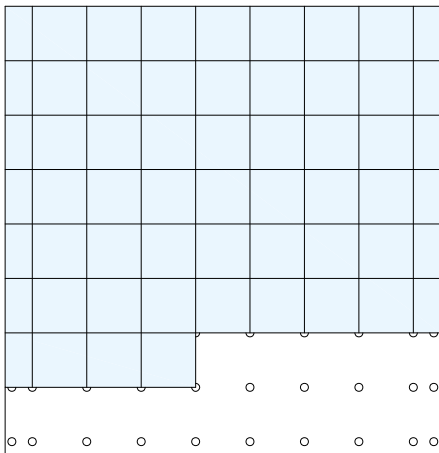
### Layout of an expansion joint (shown with double row of pedestals)



Laying scheme



Raised access floor laying with wall connection



Note panel cutting

Cut panel with GIFAtool diamond and hand-held circular saw or pendulum stroke jigsaw

HM-tipped jigsaw blades e. g.:

Bosch T140 HM

BoschT340 HM

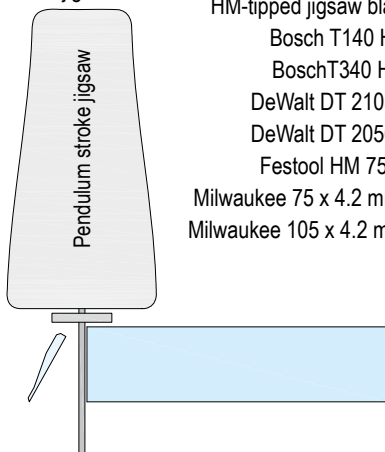
DeWalt DT 2103-QZ

DeWalt DT 2056-QZ

Festool HM 75/4.5

Milwaukee 75 x 4.2 mm T141 HM

Milwaukee 105 x 4.2 mm T341 HM



### Thread pedestals



GIFAfloor Thread pedestals M16 S are made of galvanised steel. The foot part consists of an M16 threaded rod with foot plate. The head part consists of a tube with a wall thickness of 2.0 mm with internal thread and a welded head plate. The height of the thread pedestals is adjusted by turning the pedestal head. Minimum screw-in depth (=thread length of the tube) 15 mm. After adjustment secure against height change with Knauf GIFAfloor pedestal lock EC 1.

#### Thread pedestals M16 S

Head-Ø 90 mm; Foot-Ø 98 mm

Pedestal height in mm		
Average height	Adjustment range mm	Mat.-Nr.
32,5	25 to 30	41191
37,5	30 to 40	74368
45	35 to 47	74369
60	46 to 56	74370
67,5	50 to 57	74371
77,5	60 to 75	74372
97,5	70 to 105	74374
112,5	80 to 125	74376
157,5	120 to 175	74380
182,5	150 to 195	74382
202,5	170 to 215	74381
232,5	200 to 245	74383
262,5	230 to 275	41192
287,5	250 to 305	99197
322,5	290 to 335	99199
357,5	320 to 375	99200

### Plug pedestals



GIFAfloor Plug pedestals M16 ST and M20 ST are made of galvanised steel. The foot part consists of a tube with a wall thickness of 2.0 mm and a welded-on foot plate. The head section consists of an M16 or M20 threaded rod with a welded-on head plate. The height is adjusted by means of the screw nut resting on the tube. Minimum insertion depth of the threaded rod in the tube is 20 mm. After adjustment secure against height change with Knauf GIFAfloor pedestal lock EC 1.

#### Plug pedestals M16 ST

Head-Ø 90 mm; Foot-Ø 98 mm

Pedestal height in mm		
Average height	Adjustment range mm	Mat.-Nr.
202,5	175 to 230	74391
252,5	225 to 280	74396
302,5	275 to 330	74401
352,5	325 to 380	74405
402,5	375 to 430	74411
452,5	425 to 480	74392
502,5	475 to 530	74393
552,5	525 to 580	74394

#### Plug pedestals M20 ST 2.0

Head-Ø 90 mm; Foot-Ø 98 mm; Rod: 24 x 2 mm

Pedestal height in mm		
Average height	Adjustment range mm	Mat.-Nr.
212,5	185 to 240	74391
262,5	235 to 290	74396
312,5	285 to 340	74401
362,5	335 to 390	74405
412,5	385 to 440	74411
462,5	435 to 490	74392
512,5	485 to 540	74393
562,5	535 to 590	74394

Other heights are available on request.

### Construction

Knauf GIFAfloor DB green raised access floor elements consist of Knauf GIFAtec gypsum fibre material in a thickness of 30, 36 or 40 mm, with milled bevelled edge. The GIFAfloor DB green elements are installed floating on height-adjustable hollow floor pedestals. The pedestals are fixed with Knauf GIFAfloor pedestal adhesive EC 1 to the cleaned, primed and sufficiently load-bearing substrate.

In the cavity, building services installations of all kinds can be laid anywhere under the raised floor. Joints must be planned with regard to their width and design of the joints.

### Substrate

The substrate must have the minimum load-bearing capacity for the load transfer via the raised floor pedestals. The substrate must be solid, dry and free of separating agents such as bitumen, oils or paints. Insulating materials and bituminous membranes are usually only suitable for supporting raised floors if the load distribution increases the load-bearing capacity sufficiently. Thoroughly sweep and vacuum the unfinished floor, prime the unfinished floor surface with e. g. Knauf screed primer F 431. Take over building expansion joints at the same position in the raised floor. Mark the positions of the first row of pedestals, fix each pedestal foot with approx. 15 ml Knauf GIFAfloor pedestal adhesive EC 1 to the substrate, then align exactly with e. g. a laser or a tenth of a millimetre spirit level. In all edge areas: pedestal axial distance approx. 70 mm from the element edges.

### Assembly

Fasten edge insulation strips or sealing tape to the connecting components. Place support plates or insulation plates on the pedestals, fix the thread of the pedestals with Knauf GIFAfloor pedestal lock EC 1. In all edge areas, use additional pedestals R, alternatively heavy grid rods up to a working load of 5.0 kN. Cut the GIFAfloor elements with e. g. (hand) circular saw with diamond-tipped saw blade and suction device or with e. g. pendulum stroke jigsaw/assembly band saw with HM-tipped saw blade. Immediately join the panels, press them together and align them. Install the second and subsequent rows of panels in the same pattern.

Do not walk on the installed floor for approx. 12 hours. The floor system is fully loadable after approx. 24 hours (setting time of the adhesive).

Use light grid rods for pedestal heights from approx. 500 mm and heavy grid rods from approx. 800 mm pedestal height.

### Surface treatment and top layer

Knauf GIFAfloor DB green elements are suitable for the installation of any type of self-laid carpet tiles.

Chair castor resistance is given with Knauf Integral GIFAfloor floors without additional measures.

**Sustainability and environment**

Description	Value	Unit
Requirements acc. to AgBB (2015) and DIBt (2010)	Complies	–
French emission class	A+	–
IBR Award certificate	Tested and recommended	–
Eurofins Indoor Air Comfort 6.0	Complies	–
Post-Consumer recycling share (mean value)	approx. 10	%
Pre-Consumer recycling share (mean value)	approx. 40	%
Environmental Product Declaration	EPD-BVG-20140069-IAG1-DE	–

**Information on sustainability of Knauf GIFAboard**

Building assessment systems ensure the sustainable quality of buildings and structural facilities through a detailed evaluation of ecological, economic, social, functional and technical aspects.

In Germany, the following certification systems are of particular relevance.

■ **DGNB System**

German seal of approval for sustainable building from the DGNB (Deutsche Gesellschaft für Nachhaltiges Bauen/German Sustainable Building Council)

■ **BNB**

(Sustainable Building Rating System)

■ **LEED**

(Leadership in Energy and Environmental Design).

Knauf products and Knauf access flooring materials can positively influence numerous criteria here.

**DGNB/BNB**

*Ecological quality*

- Criterion: Life cycle assessment of the building  
Relevant environmental data are stored in the EPD
- Criterion Risks for the local environment  
Building material Gypsum as an ecological material

*Economic quality*

- Criterion: building-related costs in the life cycle  
Economic Knauf dry construction

*Technical quality*

- Criterion: Deconstruction and recyclability  
Possible with Knauf dry construction

**LEED**

*Materials and Resources*

- Building Life-Cycle Impact Reduction:  
Relevant data are stored in the EPD
- Environmental Product Declarations:  
Relevant data are stored in the EPD
- Sourcing of Raw Materials:  
Recycling content in Knauf GIFAboard

*Indoor Environmental Quality*

- Low Emitting Materials:  
Knauf products are subject to regular VOC measurements

**Disposal**

GIFAboard waste is subject to waste code 17 08 02 - gypsum based construction material or no. 17 09 04 mixed construction and demolition wastes which are not contaminated by hazardous substances.

**Building biology**

Knauf GIFAfloor has been regularly tested by the IBR (Institut für Baubiologie Rosenheim) since 2003 and has since then been uninterruptedly certified by the Building Biology Recommendation Certificate. Knauf GIFAfloor meets the requirements of the French VOC class A+. Eurofins Product Testing A/S, Galten (DK) certifies that GIFAfloor complies with the required values for VOC emissions in Europe. GIFAfloor meets the requirements of Indoor Air Comfort 6.0.



Institut für **Baubiologie** Rosenheim GmbH

## Certificate of Award

Based on the excellent test results, the Seal of Approval



is hereby awarded to



Knauf Integral KG  
D-74589 Satteldorf

for the tested product

**Knauf gypsum fibreboards**  
(Certification-No. 3019 - 1032)


by the Institut für Baubiologie Rosenheim GmbH.



Reimut Hentschel, Managing Director  
Rosenheim, February 2019

The Seal of Approval is awarded for 2 years. In the interest of consumers, follow-up testing of the products must be performed in due time before the Seal of Approval expires. The applicant will have to reapply for these tests.

IBR Institut für Baubiologie GmbH D-83022 Rosenheim Münchener Straße 18  
Tel. +49 (0)8031 / 3675-0 Fax +49 (0)8031 / 3675-30 www.baubiologie-ibr.de



# Attestation

European National Regulations on VOC emissions


On 27 February 2018, Eurofins Product Testing A/S received a sample of a ceiling panel with the product name:

**GIFAboard and GIFAfloor**  
supplied by  
**Knauf Integral KG**


The emissions were tested according to the regulations in Germany, France and Belgium. The test is in accordance with German AgBB (2015) and the guidelines of the DIBt (2010), the French legislation of 2011 on emission classes as specified in decree no 2011-321, and the Belgian Royal Decree C-2014/24239. Sampling, testing and evaluation were performed according to EN 16516, ISO 16000-3, ISO 16000-6, ISO 16000-9, ISO 16000-11 in the latest versions, see the test report no. 392-2018-00088701\_A\_DE.

The formaldehyde test result is similar to a test obtained with EN 717-1.


**Evaluation of the emission test result according to Indoor Air Comfort 6.0:**

- French VOC class: 
- Carcinogenic substances were not detectable after 3 and after 28 days.
- The total of all VOC ("TVOC") and the sum of all VOC (AgBB) after 3 days both were below the limit of 10 000 µg/m³.
- The total of all VOC ("TVOC") and the sum of all VOC (AgBB) after 28 days both were below the limit of 1000 µg/m³.
- The total of all SVOC ("TSVOC") after 28 days was below the limit of 100 µg/m³.
- After 28 days the values R<sub>3</sub> and R<sub>28</sub> were below the limit of 1.
- The sum of VOC without LC<sub>10</sub> after 28 days was below the limit of 100 µg/m³.
- Formaldehyde after 28 days was below the limit of 60 µg/m³.

**The tested product complies with referenced European regulations as of 13 April 2018**  
13 April 2018




Nanna Boholm  
Chemist



Rasmus Stenbjaard Christensen  
Analytical Service Manager, MSc in Chemistry


Eurofins Product Testing A/S • Smedeskorvej 38, 8464 Galten, Denmark • Tel. +45 70 22 42 76  
[www.product-testing.eurofins.com](http://www.product-testing.eurofins.com)

**ÉMISSIONS DANS L'AIR INTÉRIEUR\***



The label shows a house icon with a cloud of particles inside, and a large green 'A+' next to it. Below the 'A+' are four colored boxes: A+ (green), A (yellow), B (orange), and C (red).

 **Observe safety data sheet!**  
For safety data sheet see [pd.knauf.de](http://pd.knauf.de)

 The App Knauf Infothek provides all the current information and documents from Knauf Gips KG at any time and in every location in a clear and comfortable way.  
[knauf.de/infothek](http://knauf.de/infothek)

**Knauf Direct**  
Technical Advisory Service:

[knauf-direkt@knauf.com](mailto:knauf-direkt@knauf.com)

[www.knauf-integral.de](http://www.knauf-integral.de)

**Knauf Integral KG** Am Bahnhof 16, 74589 Satteldorf, Germany

All technical changes reserved. Only the current printed instructions are valid. The stated information represents current state-of-the-art Knauf technology. The entire state of approved engineering rules, appropriate standards, guidelines, and rules of craftsmanship are not included herewith. These and all application instructions have to be adhered to separately by the installer. Our warranty is expressly limited to our products in flawless condition. All application quantities and delivery amounts are based on empirical data that are not easily transferable to other deviating areas.

All rights reserved. All amendments, reprints and photocopies, including those of excerpts, require our expressed permission.