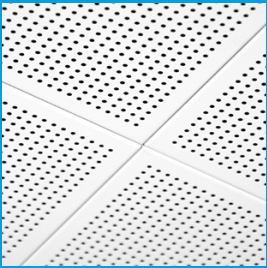


KNAUF

METAL Q-Clip, Q-Clip F, R-Clip

Concealed Grid

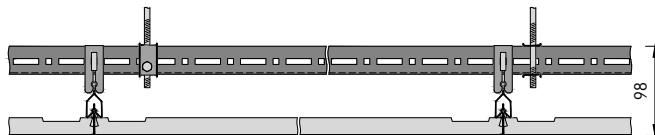
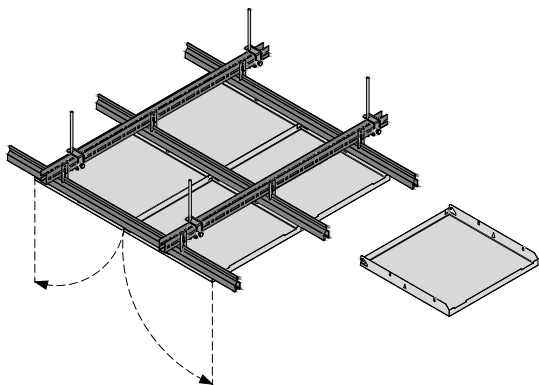


© Michael Van Oosten

- Clip-in tiles provide a versatile and sleek design in various perforations and edge details.
- Concealed grid for a monolithic effect.
- Additional design options available as part of our Vario Design range.
- Used in a variety of ceiling areas: from small to large commercial office buildings and major transportation terminals.

Build on us.

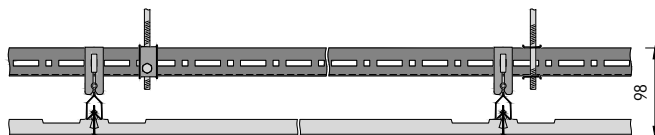
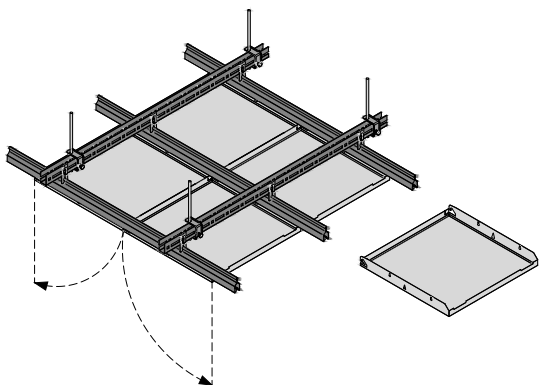
METAL Q-Clip



Tiles
 Material post-coated galvanised steel 0.5 mm
 Edge detail square edged clip-in
 Modules 600 x 600, 625 x 625 mm

Suspension system
 Standard U-Profile + DP12 A-Bar
 Optional various, on request
 Features swing-down function WINDOW
 security clip
 METAL K-Clip layout

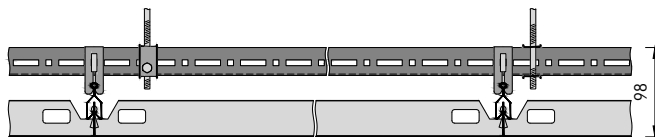
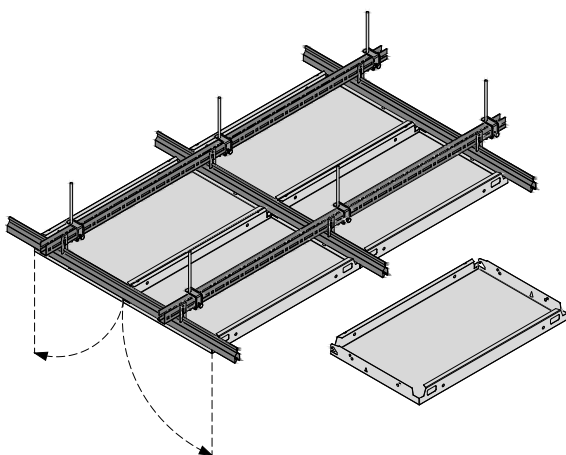
METAL Q-Clip F



Tiles
 Material post-coated galvanised steel 0.5 / 0.6 mm
 Edge detail 3 mm bevel clip-in
 Modules 600 x 600, 625 x 625, 1200 x 300,
 1200 x 600, 1800 x 400 mm

Suspension system
 Standard U-Profile + DP12 A-Bar
 Optional various, on request
 Features swing-down function WINDOW
 security clip

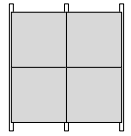
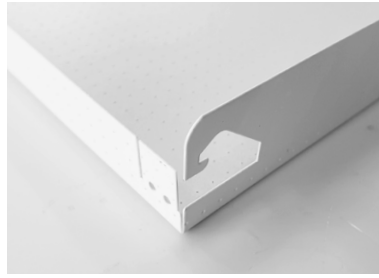
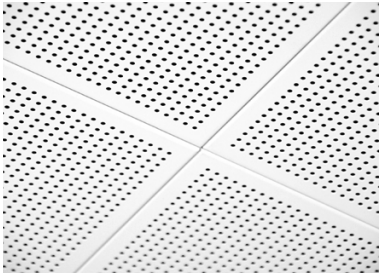
METAL R-Clip



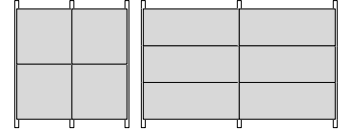
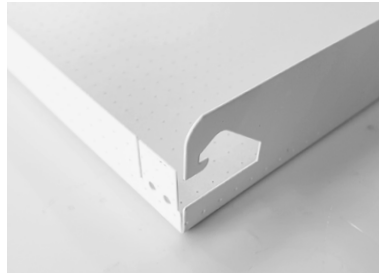
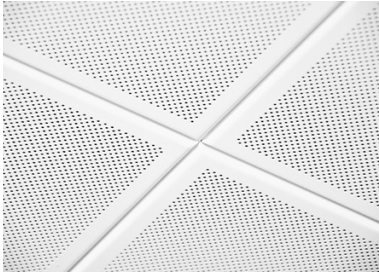
Tiles
 Material post-coated galvanised steel 0.6 / 0.7 mm
 Edge detail square edged clip-in
 Dimensions length (A) 600 - 2500 mm / width (B) 250 - 600 mm
 Panel size max. 1.5 m²

Suspension system
 Standard U-Profile + DP12 A-Bar
 Optional various, on request
 Features swing-down function WINDOW
 security clip
 METAL K-Clip layout

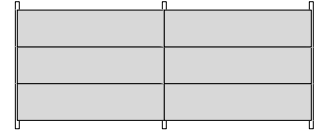
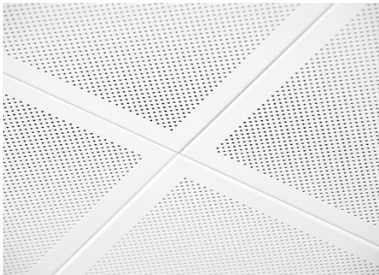
METAL Q-Clip



METAL Q-Clip F



METAL R-Clip



Swing-down function WINDOW



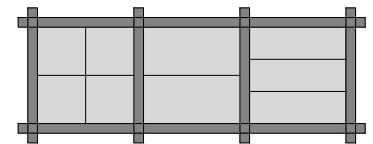
Security clip option



METAL K-Clip layout option



METAL Q-Clip tiles and METAL R-Clip panels can be combined with crossing boxes and strips to achieve a cost-effective tartan grid layout.



	VarioDesign options on request										Features & performances					
	Dimensions	Shapes	Post-coated aluminium	Perforations	RAL & NCS colours	BioGuard finish	Wood effect finish	Acoustic infills	Cut-outs	Grid alternatives	Secure function	Swing-down function	Clean room*	Seismic*	Impact resistance*	Suitable for chilled ceilings
METAL Q-Clip			■	■	■	■	■	■	■	■	■	■				■
METAL Q-Clip F	■		■	■	■	■	■	■	■	■	■	■				■
METAL R-Clip	■		■	■	■	■	■	■	■	■	■					■

* see separate datasheet

Characteristic	Detailed information																																																																																																									
Colour / Perforations	RAL 9016 RAL 9010 RAL 9006 RAL 9007 RAL 9005 further RAL & NCS colours on request	Unperforated Rg 0701 Rg 0704 Rd 1522 Rg 2516 further options see acoustic datasheet																																																																																																								
Acoustic infills	Black acoustic fleece VLSRX further options see acoustic datasheet																																																																																																									
Weight	3.8 - 6.6 kg/m² Weight varies depending on the perforation and acoustic infill.																																																																																																									
Acoustics	<table border="1"> <thead> <tr> <th rowspan="3"></th> <th colspan="10">EN ISO 354</th> <th>EN ISO 10848-2</th> <th>EN ISO 10140-2</th> <th rowspan="3">CAC [dB]</th> </tr> <tr> <th rowspan="2">α_w</th> <th rowspan="2">Cavity [mm]</th> <th rowspan="2">Class</th> <th colspan="6">Frequency (Hz) α_p</th> <th rowspan="2">NRC</th> <th rowspan="2">$D_{n,w}$ [dB]</th> <th rowspan="2">R_w [dB]</th> </tr> <tr> <th>125</th> <th>250</th> <th>500</th> <th>1000</th> <th>2000</th> <th>4000</th> </tr> </thead> <tbody> <tr> <td>Unperforated</td> <td>0.10(L)</td> <td>200</td> <td>NC</td> <td>0.40</td> <td>0.20</td> <td>0.10</td> <td>0.10</td> <td>0.10</td> <td>0.15</td> <td>0.15</td> <td>0.15</td> <td>34</td> <td>19</td> <td>35</td> </tr> <tr> <td>Rg 0701 + VLSRX</td> <td>0.65(LM)</td> <td>200</td> <td>C</td> <td>0.50</td> <td>0.85</td> <td>0.90</td> <td>0.65</td> <td>0.60</td> <td>0.50</td> <td>0.75</td> <td>0.75</td> <td>19</td> <td>10</td> <td>20</td> </tr> <tr> <td>Rg 0704 + VLSRX</td> <td>0.80(L)</td> <td>200</td> <td>B</td> <td>0.45</td> <td>0.85</td> <td>0.95</td> <td>0.75</td> <td>0.75</td> <td>0.70</td> <td>0.85</td> <td>19</td> <td>10</td> <td>19</td> </tr> <tr> <td>Rd 1522 + VLSRX</td> <td>0.60</td> <td>200</td> <td>C</td> <td>0.25</td> <td>0.60</td> <td>0.75</td> <td>0.50</td> <td>0.60</td> <td>0.60</td> <td>0.60</td> <td>14</td> <td>6</td> <td>15</td> </tr> <tr> <td>Rg 2516 + VLSRX</td> <td>0.70</td> <td>200</td> <td>C</td> <td>0.30</td> <td>0.70</td> <td>0.85</td> <td>0.60</td> <td>0.70</td> <td>0.70</td> <td>0.70</td> <td>16</td> <td>6</td> <td>16</td> </tr> </tbody> </table> <p>α_w: as per EN ISO 11654 / NRC: as per ASTM C 423-01 / $D_{n,w}$: as per EN ISO 717-1 / CAC: as per ASTM E 413-10</p>			EN ISO 354										EN ISO 10848-2	EN ISO 10140-2	CAC [dB]	α_w	Cavity [mm]	Class	Frequency (Hz) α_p						NRC	$D_{n,w}$ [dB]	R_w [dB]	125	250	500	1000	2000	4000	Unperforated	0.10(L)	200	NC	0.40	0.20	0.10	0.10	0.10	0.15	0.15	0.15	34	19	35	Rg 0701 + VLSRX	0.65(LM)	200	C	0.50	0.85	0.90	0.65	0.60	0.50	0.75	0.75	19	10	20	Rg 0704 + VLSRX	0.80(L)	200	B	0.45	0.85	0.95	0.75	0.75	0.70	0.85	19	10	19	Rd 1522 + VLSRX	0.60	200	C	0.25	0.60	0.75	0.50	0.60	0.60	0.60	14	6	15	Rg 2516 + VLSRX	0.70	200	C	0.30	0.70	0.85	0.60	0.70	0.70	0.70	16	6	16
	EN ISO 354										EN ISO 10848-2	EN ISO 10140-2	CAC [dB]																																																																																													
	α_w	Cavity [mm]		Class	Frequency (Hz) α_p						NRC	$D_{n,w}$ [dB]		R_w [dB]																																																																																												
			125		250	500	1000	2000	4000																																																																																																	
Unperforated	0.10(L)	200	NC	0.40	0.20	0.10	0.10	0.10	0.15	0.15	0.15	34	19	35																																																																																												
Rg 0701 + VLSRX	0.65(LM)	200	C	0.50	0.85	0.90	0.65	0.60	0.50	0.75	0.75	19	10	20																																																																																												
Rg 0704 + VLSRX	0.80(L)	200	B	0.45	0.85	0.95	0.75	0.75	0.70	0.85	19	10	19																																																																																													
Rd 1522 + VLSRX	0.60	200	C	0.25	0.60	0.75	0.50	0.60	0.60	0.60	14	6	15																																																																																													
Rg 2516 + VLSRX	0.70	200	C	0.30	0.70	0.85	0.60	0.70	0.70	0.70	16	6	16																																																																																													
Fire reaction	Unperforated: Euroclass A1 ; Rg 0701 / Rg 0704 with acoustic fleece VLSRX: Euroclass A2-s1, d0 ; Rd 1522 / Rg 2516 with acoustic fleece VLSRX: Euroclass A2-s2, d0 ; as per EN 13501-1																																																																																																									
Light reflectance	RAL 9010 unperforated: 85% ; RAL 9010 Rd 1522: 66% ; RAL 9010 Rg 0701: 83% ; RAL 9010 Rg 2516: 73% ; RAL 9010 Rg 0704: 82%																																																																																																									
Humidity resistance	90% RH																																																																																																									
Indoor air quality	A+ E1 IAC Gold																																																																																																									
Sustainability	EN ISO 14021 17.3% (2023) ISO 9001 ISO 14001 EPD EN 15804 cradle to cradle silver																																																																																																									
Cleanability																																																																																																										