

KNAUF

MESH **R-L 201, B-L 302,** **B-H 300, K-H 400** *Exposed Grid System*



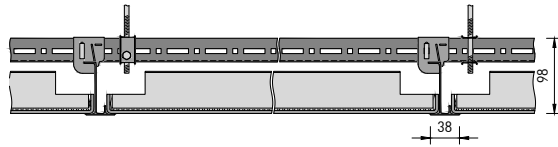
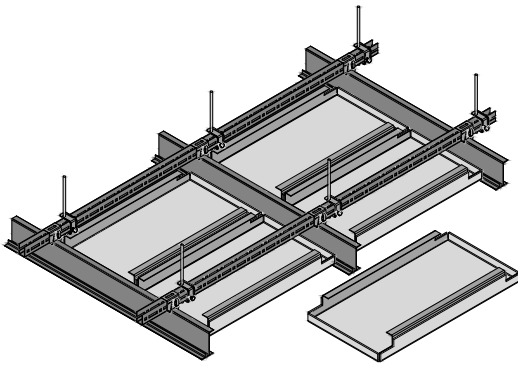
Build on us.



© Jack Hobhouse

- Lay-in and hook-on systems which combine functionality with stylish simplicity and versatility by creating a linear technical zone.
- Its high open area is perfect for any industrial look inspiration.
- MESH – visible side with 90° upturn on all four edges and welded stiffening profiles inside.
- MESH MT (MicroTack Technology) – flat visible side, without upturn, with welded stiffening profiles on all edges.
- Fully configurable large size panels.
- Additional design options available as part of our Vario Design range.
- Ideal for large spaces and office environments.

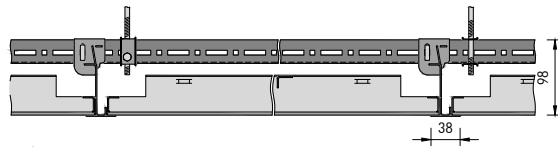
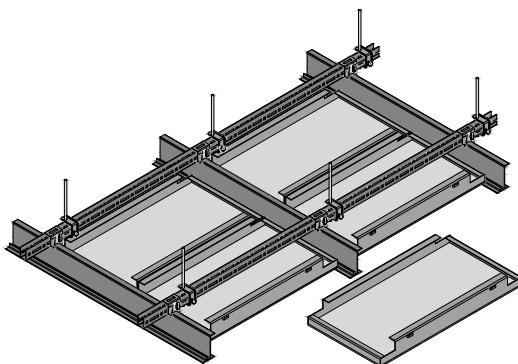
MESH R-L 201



Panels
Material post-coated galvanised steel (Y) 1.0 / 1.5 mm
Edge detail square edged lay-in, with ≈3 mm pen gap on long edge
Dimensions length (A) 597 - 2500 $\frac{1}{4}$ mm | width (B) 247 - 700 $\frac{1}{4}$ mm
Panel size max. 1.75 m²

Suspension system
Standard U-Profile + L-Profile 38 mm
Optional various, on request
Features radial layout with trapezoidal panels

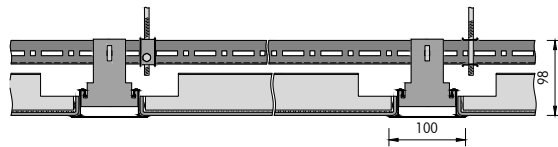
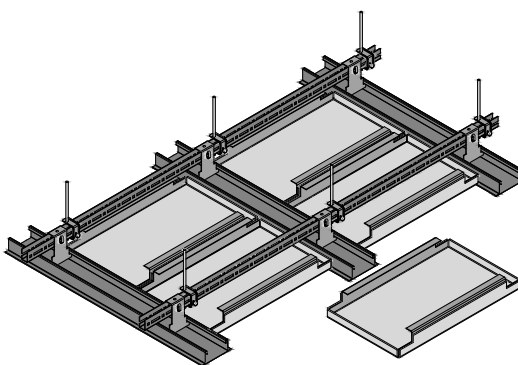
MESH R-L 201 MT



Panels
Material post-coated galvanised steel (Y) 1.0 / 1.5 mm
Edge detail square edged lay-in, with ≈3 mm open gap and spacers on long edge
Dimensions length (A) 597 - 2500 $\frac{1}{4}$ mm (with additional stiffener for panel length >2000 mm) | width (B) RB25: 298 - 602 $\frac{1}{3}$ mm in steps of 8 mm, RB35 / RB55: 247 - 700 $\frac{1}{4}$ mm
Panel size max. 1.75 m²

Suspension system
Standard U-Profile + L-Profile 38 mm
Optional various, on request
Features megapanel up to ≈1200 x 1200 mm, long side suspended for staggered layout, radial layout with trapezoidal panels

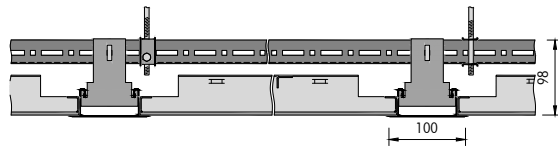
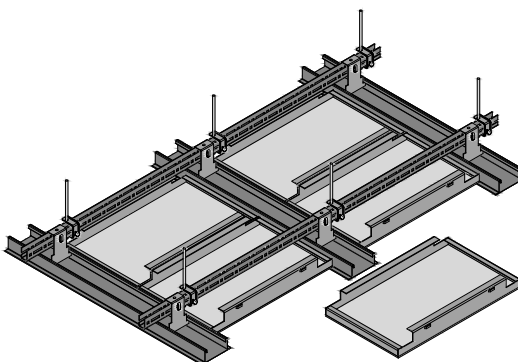
MESH B-L 302



Panels
Material post-coated galvanised steel (Y) 1.0 / 1.5 mm
Edge detail square edged lay-in, with ≈3 mm open gap on long edge
Dimensions length (A) 597 - 2500 $\frac{1}{6}$ mm | width (B) 247 - 700 $\frac{1}{4}$ mm
Panel Size max. 1.75 m²

Suspension system
Standard U-Profile + Bandraster 100 mm
Features crossing Bandraster for tartan layout, radial layout with trapezoidal panels

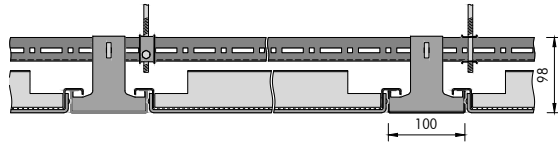
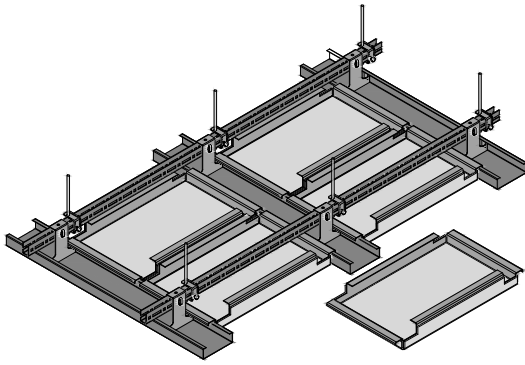
MESH B-L 302 MT



Panels
Material post-coated galvanised steel (Y) 1.0 / 1.5 mm
Edge detail square edged lay-in, with ≈3 mm open gap and spacers on long edge
Dimensions length (A) 597 - 2500 $\frac{1}{6}$ mm (with additional stiffener for panel length >2000 mm) | width (B) RB25: 298 - 602 $\frac{1}{3}$ mm in steps of 8 mm, RB35 / RB55: 247 - 700 $\frac{1}{4}$ mm
Panel size max. 1.75 m²

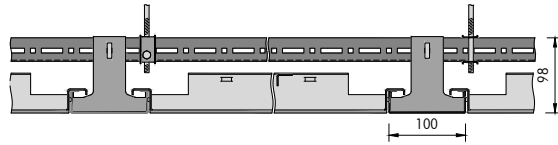
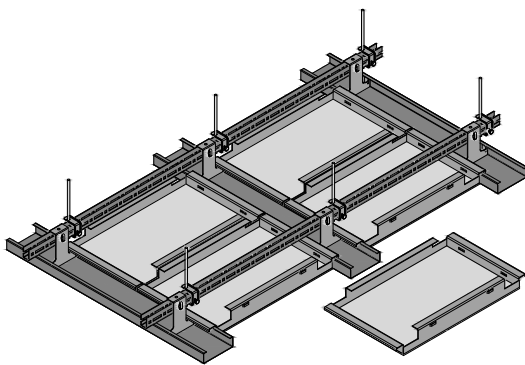
Suspension system
Standard U-Profile + Bandraster 100 mm
Features megapanel up to ≈1200 x 1200 mm, crossing Bandraster for tartan layout, radial layout with trapezoidal panels

MESH B-H 300



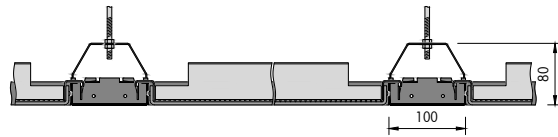
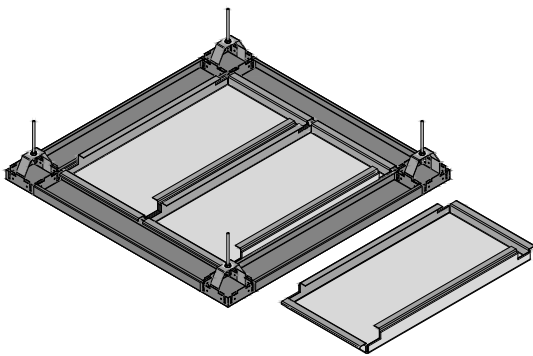
- Panels**
- Material** post-coated galvanised steel (Y) 1.0 / 1.5 mm
- Edge detail** square edged hook-on, with ≈3 mm open gap on long edge both short edges
- Dimensions** length (A) 597 – 2500 $\frac{1}{6}$ mm | width (B) 247 – 700 $\frac{1}{4}$ mm
- Panel size** max. 1.75 m²
- Suspension system**
- Standard** U-Profile + C-Profile 100 mm
- Optional** C-Profile widths (50 – 300 mm) and further suspension options
- Features** hinge-down function EASY, long side suspended for staggered layout, crossing C-Profile for tartan layout, radial layout with trapezoidal panels

MESH B-H 300 MT



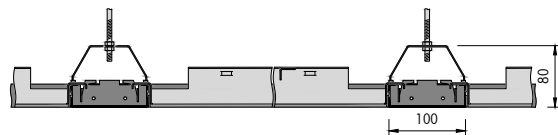
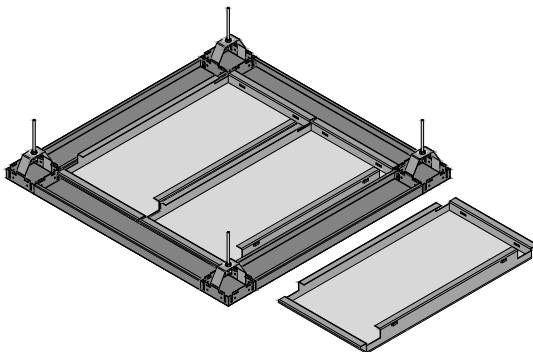
- Panels**
- Material** post-coated galvanised steel (Y) 1.0 / 1.5 mm
- Edge detail** square edged hook-on, with ≈3 mm open gap and spacers on long edge both short edges
- Dimensions** length (A) 597 – 2500 $\frac{1}{6}$ mm (with additional stiffener for panel length >2000 mm) | width (B) RB25: 298 – 602 $\frac{2}{3}$ mm in steps of 8 mm, RB35 / RB55: 247 – 700 $\frac{1}{4}$ mm
- Panel size** max. 1.75 m²
- Suspension system**
- Standard** U-Profile + C-Profile 100 mm
- Optional** C-Profile widths (50 – 300 mm) and further suspension options
- Features** hinge-down function EASY, long side suspended for staggered layout, crossing C-Profile for tartan layout, radial layout with trapezoidal panels

MESH K-H 400



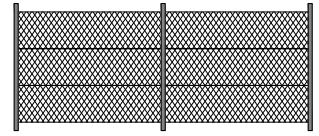
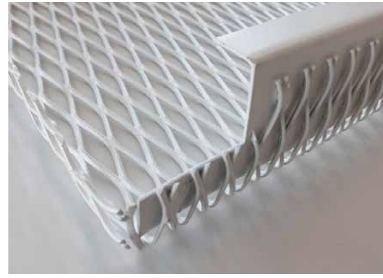
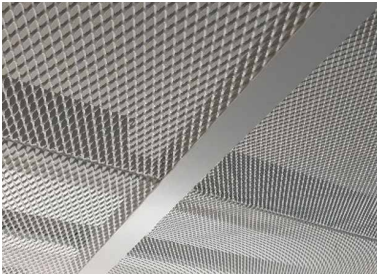
- Panels**
- Material** post-coated galvanised steel (Y) 1.0 / 1.5 mm
- Edge detail** square edged hook-on, with ≈3 mm open gap on long edge and both short edges
- Dimensions** length (A) 597 – 2500 $\frac{1}{6}$ mm | width (B) 247 – 700 $\frac{1}{4}$ mm
- Panel Size** max. 1.75 m²
- Suspension system**
- Standard** U-Profile + C-Profile 100 mm
- Optional** Crossing box & C-Profile widths (70 – 300 mm) and shapes
- Features** hinge-down function EASY, various layout options

MESH K-H 400 MT

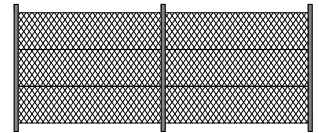
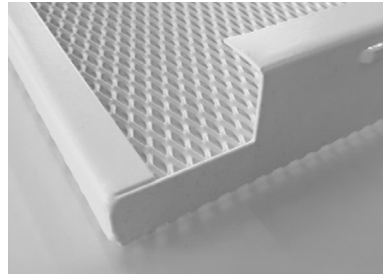
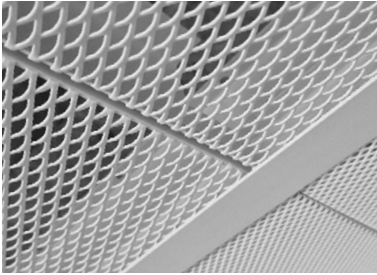


- Panels**
- Material** post-coated galvanised steel (Y) 1.0 / 1.5 mm
- Edge detail** square edged hook-on, with ≈3 mm open gap and spacers on long edge and both short edges
- Dimensions** length (A) 597 – 2500 $\frac{1}{6}$ mm (with additional stiffener for panel length >2000 mm) | width (B) RB25: 298 – 602 $\frac{2}{3}$ mm in steps of 8 mm, RB35 / RB55: 247 – 700 $\frac{1}{4}$ mm
- Panel size** max. 1.75 m²
- Suspension system**
- Standard** U-Profile + C-Profile 100 mm
- Optional** Crossing box & C-Profile widths (70 – 300 mm) and shapes
- Features** hinge-down function EASY, megapanel up to ≈1200 x 1200 mm, various layout options

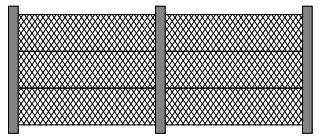
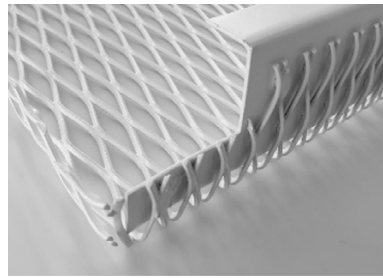
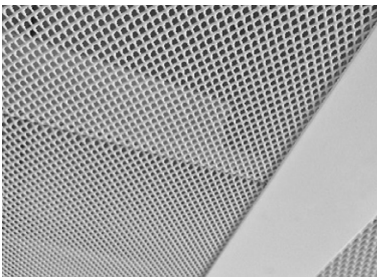
MESH R-L 201



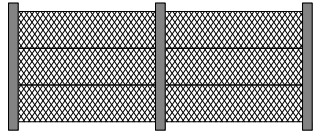
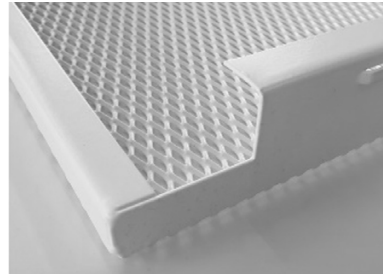
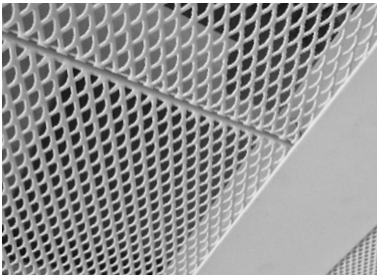
MESH R-L 201 MT



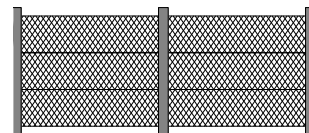
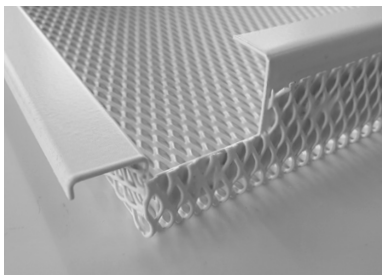
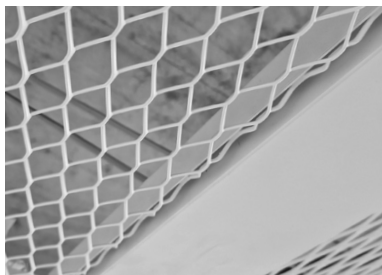
MESH B-L 302



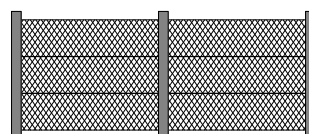
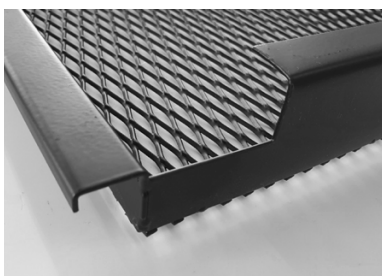
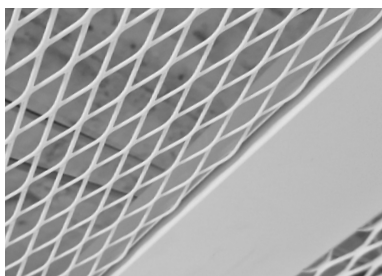
MESH B-L 302 MT



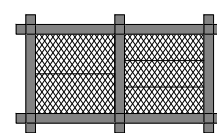
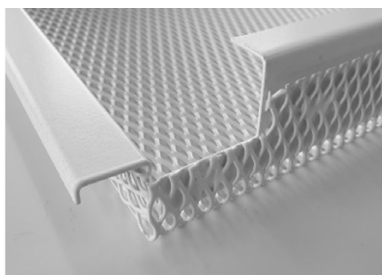
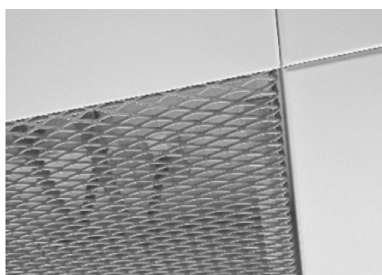
MESH B-H 300



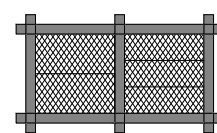
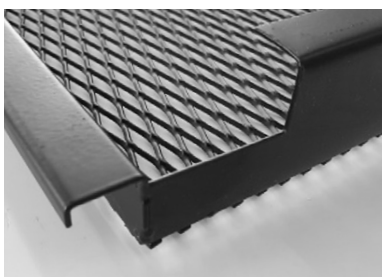
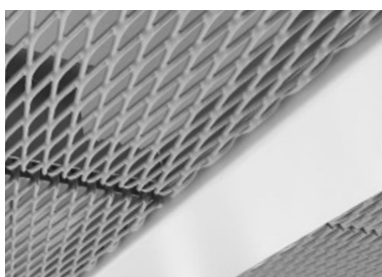
MESH B-H 300 MT



MESH K-H 400

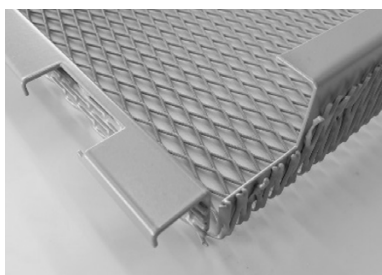


MESH K-H 400 MT

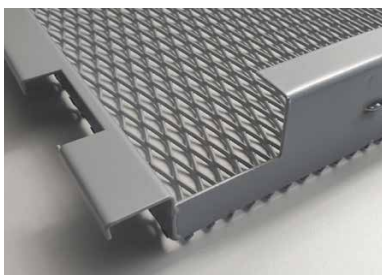


MESH B-H 300 & METAK K-H 400 panel options

Hinge-down function EASY



Hinge-down function EASY MT



	Standard Patterns				Vario Design Options (on request)							Features	
	KD100	RB25	RB35	RB55	Dimensions	Shapes	Post-coated aluminium	Patterns	RAL colours	Cut-outs	Grid alternatives	Secure function	Hinge-down function
MESH R-L 201	■	■	■	■	■	■	■	■	■	■	■		
MESH R-L 201 MT		■	■	■	■	■		■	■	■	■		
MESH B-L 302	■	■	■	■	■	■	■	■	■	■	■		
MESH B-L 302 MT		■	■	■	■	■		■	■	■	■		
MESH B-H 300	■	■	■	■	■	■	■	■	■	■	■		■
MESH B-H 300 MT		■	■	■	■	■		■	■	■	■		■
MESH K-H 400	■	■	■	■	■	■	■	■	■	■	■		■
MESH K-H 400 MT		■	■	■	■	■		■	■	■	■		■

Characteristic	Detailed information	
Colour / Patterns	<p>RAL 9010 RAL 9006 RAL 9007 RAL 9005</p> <p>further RAL & NCS colours on request</p>	<p>KD100 * Q6 x 4.5 - 1.2 x 1 35% open area (X) = 1.5 mm (Y) = 1.0 mm</p> <p>RB25 R16 x 8 - 2 x 1 50% open area (X) = 3.0 mm (Y) = 1.0 mm</p> <p>RB35 R28 x 10 - 2 x 1.5 58% open area (X) = 3.5 mm (Y) = 1.5 mm</p> <p>RB55 R43 x 13 - 2.5 x 1.5 62% open area (X) = 4.0 mm (Y) = 1.5 mm</p> <p>*only for MESH Board further patterns on request</p>
Weight		8.0 - 12.0 kg/m²
Fire reaction		Euroclass A2-s1, d0 as per EN 13501-1
Humidity resistance		90% RH
Indoor air quality	<p>A+ IAC Gold</p>	
Sustainability	<p>EN ISO 14021 EPD EN 15804 cradle to cradle SILVER</p> <p>17.3% (2023)</p>	
Cleanability		