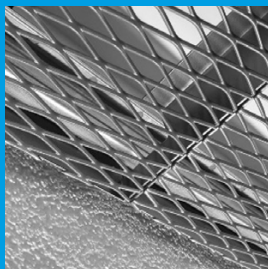


KNAUF

MESH **F-L 601, F-Clip,** **F-H 600** *Free Span Corridor Solutions*



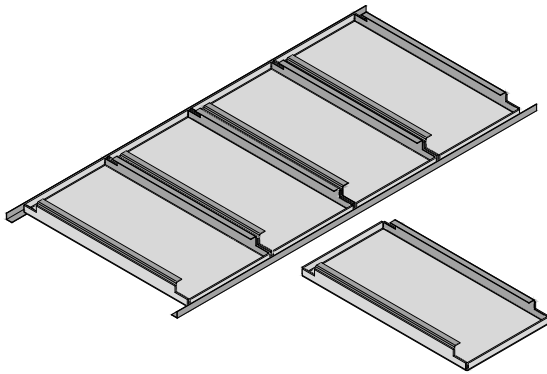
Build on us.



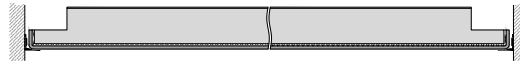
© Miljenko Hegedić

- These lay-in, clip-in or hook-on are rectangular panel free-span solutions that simply span between the walls, allowing for easy installation and access to services.
- Its high open area is perfect for any industrial look inspiration.
- MESH – visible side with 90° upturn on all four edges and welded stiffening profiles inside.
- MESH MT (MicroTack Technology) – flat visible side, without upturn, with welded stiffening profiles on all edges.
- MESH F-L 601 / MESH F-L 601 MT with various perimeter trim solutions for a clean aesthetic finish.
- Adjustable perimeter shadow gap detailing for MESH F-Clip, MESH F-H 600 / MESH F-H 600 MT.
- Maintenance-friendly systems.
- Additional design options available as part of our Vario Design range.
- Used in corridors where the panels simply span between walls.

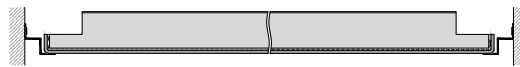
MESH F-L 601



L-perimeter trim option



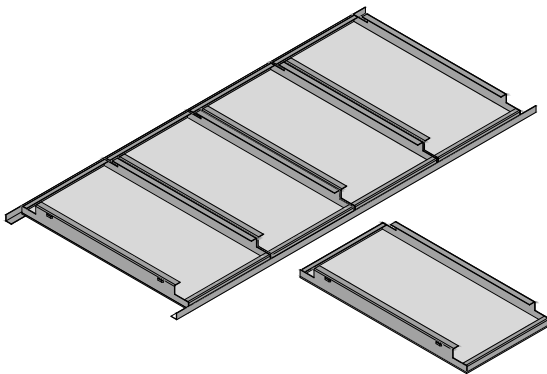
Shadowline perimeter trim option



Panels
Material post-coated galvanised steel (V) 1.0 / 1.5 mm
Edge detail square edged lay-in, with ≈3 mm open gap on long edge
Dimensions length (A) 597 – 2500 $\frac{1}{4}$ mm | width (B) 247 – 700 $\frac{1}{4}$ mm
Panel size max. 1.75 m²

Suspension system
Standard L-perimeter trim range
Optional shadowline perimeter trim range for a minimal installation height

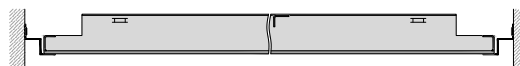
MESH F-L 601 MT



L-perimeter trim option



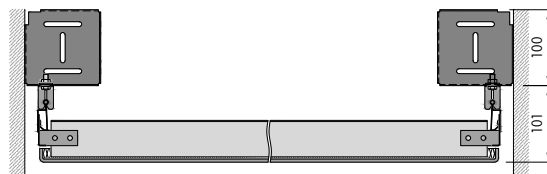
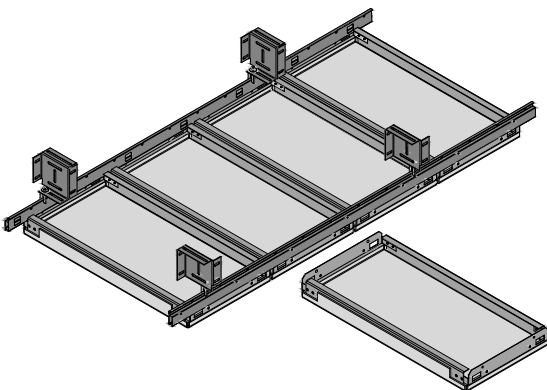
Shadowline perimeter trim option



Panels
Material post-coated galvanised steel (V) 1.0 / 1.5 mm
Edge detail square edged lay-in, with ≈3 mm open gap and spacers on long edge
Dimensions length (A) 597 – 2500 $\frac{1}{4}$ mm (with additional stiffener for panel length >2000 mm) | width (B) RB25: 298 – 60 $\frac{1}{3}$ mm in steps of 8 mm, RB35 / RB55: 247 – 700 $\frac{1}{4}$ mm
Panel size max. 1.75 m²

Suspension system
Standard L-perimeter trim range
Optional shadowline perimeter trim range for a minimal installation height

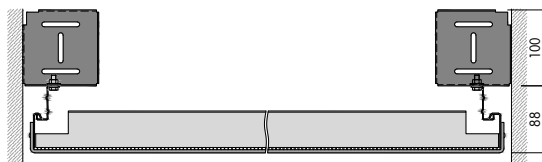
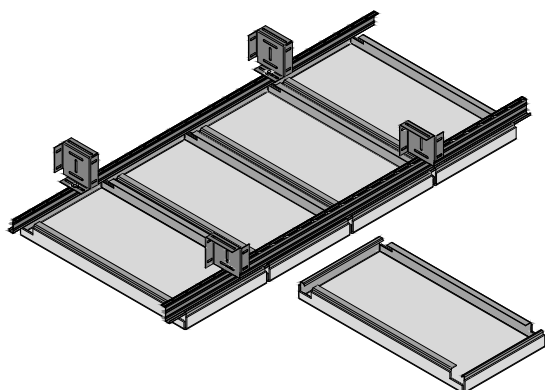
MESH F-Clip



Panels
Material post-coated galvanised steel (V) 1.0 / 1.5 mm
Edge detail square edged clip-in, with ≈3 mm open gap on long edge
Dimensions length (A) 600 – 2500 $\frac{1}{4}$ mm | width (B) 247 – 600 $\frac{1}{4}$ mm
Panel size max. 1.5 m²

Suspension system
Standard Wall bracket + half DP12 A-Bar (2 – 80 mm open shadow gap to wall)
Optional Wall bracket + DP12 A-Bar (10 – 89 mm open shadow gap to wall)
Features security clip

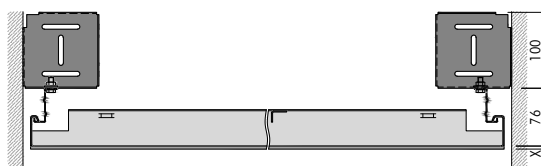
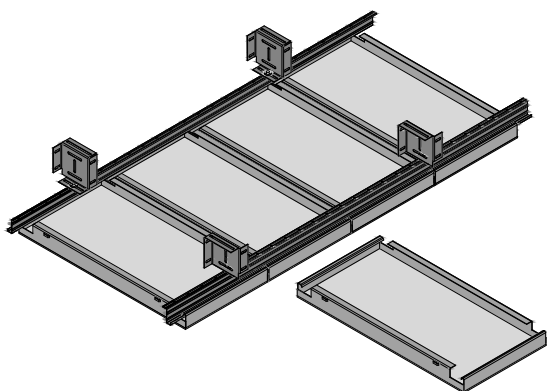
MESH F-H 600



Panels
 Material post-coated galvanised steel (Y) 1.0 / 1.5 mm
 Edge detail square edged hook-on, with ≈3 mm open gap on long edge
 Dimensions length (A) 597 – 2500 $\frac{1}{6}$ mm | width (B) 247 – 700 $\frac{1}{4}$ mm
 Panel size max. 1.75 m²

Suspension system
 Standard Wall bracket + J-Bar (5 – 65 mm open shadow gap to wall)
 Features security bracket

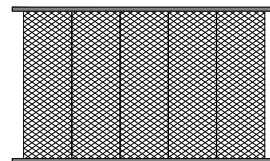
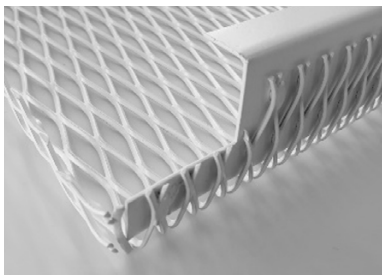
MESH F-H 600 MT



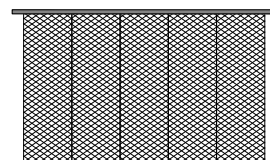
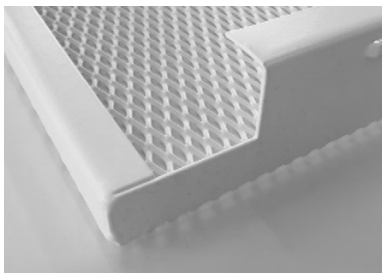
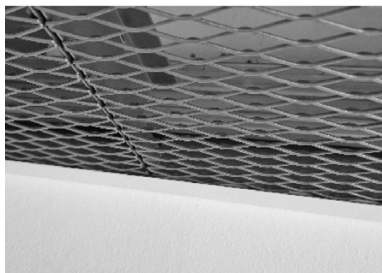
Panels
 Material post-coated galvanised steel (Y) 1.0 / 1.5 mm
 Edge detail square edged hook-on, with ≈3 mm open gap and spacers on long edge
 Dimensions length (A) 597 – 2500 $\frac{1}{6}$ mm (with additional stiffener for panel length >2000 mm) | width (B) RB25: 298 – 602 $\frac{1}{3}$ mm in steps of 8 mm, RB35 / RB55: 247 – 700 $\frac{1}{4}$ mm
 Panel size max. 1.75 m²

Suspension system
 Standard Wall bracket + J-Bar (5 – 65 mm open shadow gap to wall)
 Features security bracket

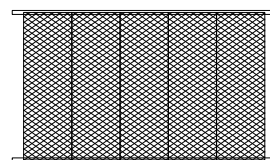
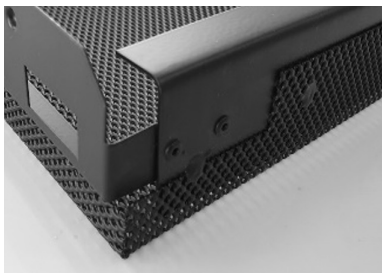
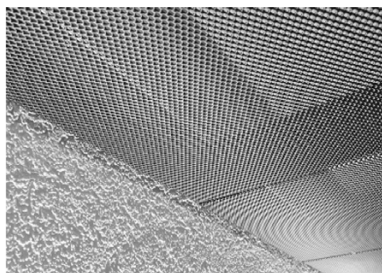
MESH F-L 601



MESH F-L 601 MT

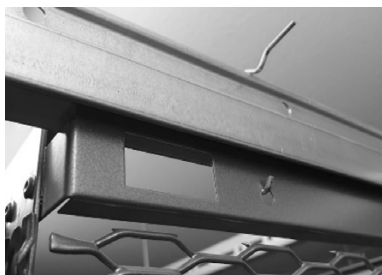


MESH F-Clip

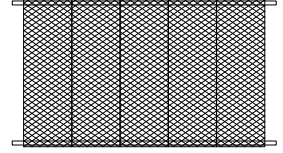
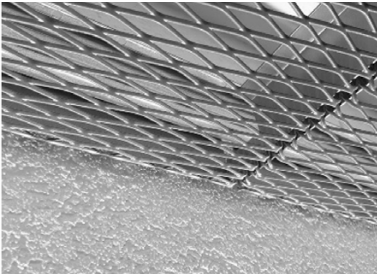


Security clip option

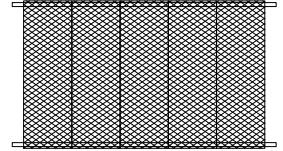
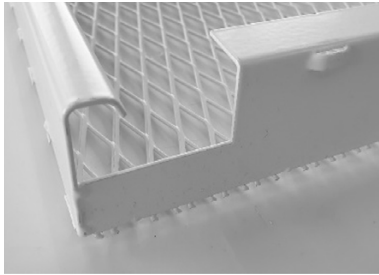
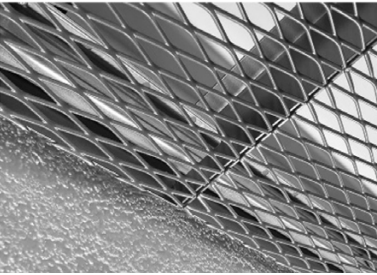
For MESH F-Clip



MESH F-H 600

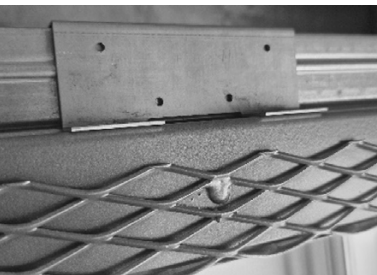


MESH F-H 600 MT

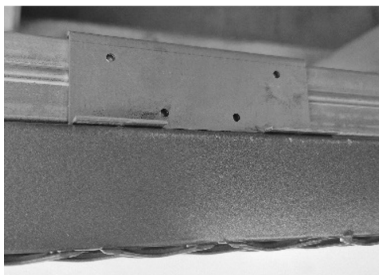


Security bracket options

For MESH F-H 600



For MESH F-H 600 MT



	Standard Patterns				Vario Design Options (on request)							Features	
	KD100	RB25	RB35	RB55	Dimensions	Shapes	Post-coated aluminium	Patterns	RAL colours	Cut-outs	Grid alternatives	Secure function	Hinge-down function
MESH F-L 601	■	■	■	■	■	■	■	■	■	■			
MESH F-L 601 MT		■	■	■	■	■		■	■	■			
MESH F-Clip		■	■	■	■			■	■	■	■	■	
MESH F-H 600	■	■	■	■	■	■	■	■	■	■		■	
MESH F-H 600 MT		■	■	■	■	■		■	■	■		■	

Characteristic	Detailed information	
Colour / Patterns	 RAL 9010 RAL 9006 RAL 9007 RAL 9005 further RAL & NCS colours on request	 KD100* Q6 x 4.5 - 1.2 x 1 35% open area (X) = 1.5 mm (Y) = 1.0 mm RB25 R16 x 8 - 2 x 1 50% open area (X) = 3.0 mm (Y) = 1.0 mm RB35 R28 x 10 - 2 x 1.5 58% open area (X) = 3.5 mm (Y) = 1.5 mm RB55 R43 x 13 - 2.5 x 1.5 62% open area (X) = 4.0 mm (Y) = 1.5 mm further patterns on request * not available for MESH MT solutions and MESH R-Clip
Weight		8.5 - 10.5 kg/m²
Fire reaction		Euroclass A2-s1, d0 as per EN 13501-1
Humidity resistance		90% RH
Indoor air quality	 A+ IAC Gold	
Sustainability	 EN ISO 14021 17.3% (2023)	
Cleanability		