

KNAUF

MESH

PRODUCT BROCHURE

Build on us.



MESH

Ceiling Solutions

A Perfect Blend of Design, Functionality, and Customisation

Enhance your interiors with cutting-edge mesh ceilings that combine aesthetics and performance. These versatile and durable high-tech ceiling solutions offer a sophisticated, contemporary design, providing an airy and open feel to any space. The large open mesh surface allows for excellent air circulation and light diffusion, making them an ideal choice for commercial buildings, offices, and public spaces where style and practicality are paramount.

Cradle to Cradle Certified® Silver and manufactured from durable, high-quality materials, Knauf Ceiling Solutions' mesh ceilings are designed to last, ensuring longevity and low maintenance. With various patterns, finishes, colours, and installation options available, they can be customised to fit your unique design vision, making them an ideal choice for modern architectural applications.

Introduction

2

Exposed Grid

MESH Board, MESH MicroLook 8, MESH Tegular 8, MESH Tegular 14
MESH R-L 201, MESH B-L 302, MESH B-H 300, MESH K-H 400

10
14

Concealed Grid

MESH R-Clip, MESH R-H 200, MESH R-H 215

20

Floating Ceilings - Canopies

MESH Sonic Element MT, MESH Sky Element Hook MT

26

Free Span Corridor Solutions

MESH F-L 601, MESH F-Clip, MESH F-H 600

30

Parameter & Performances

Colours & Patterns
Technical Glossary

36
40

Design Layouts



© Szymon Polański

EXPOSED GRID

Exposed ceiling systems provide a modular aesthetic and are available in a variety of edge details.



© Szymon Polański

CONCEALED GRID

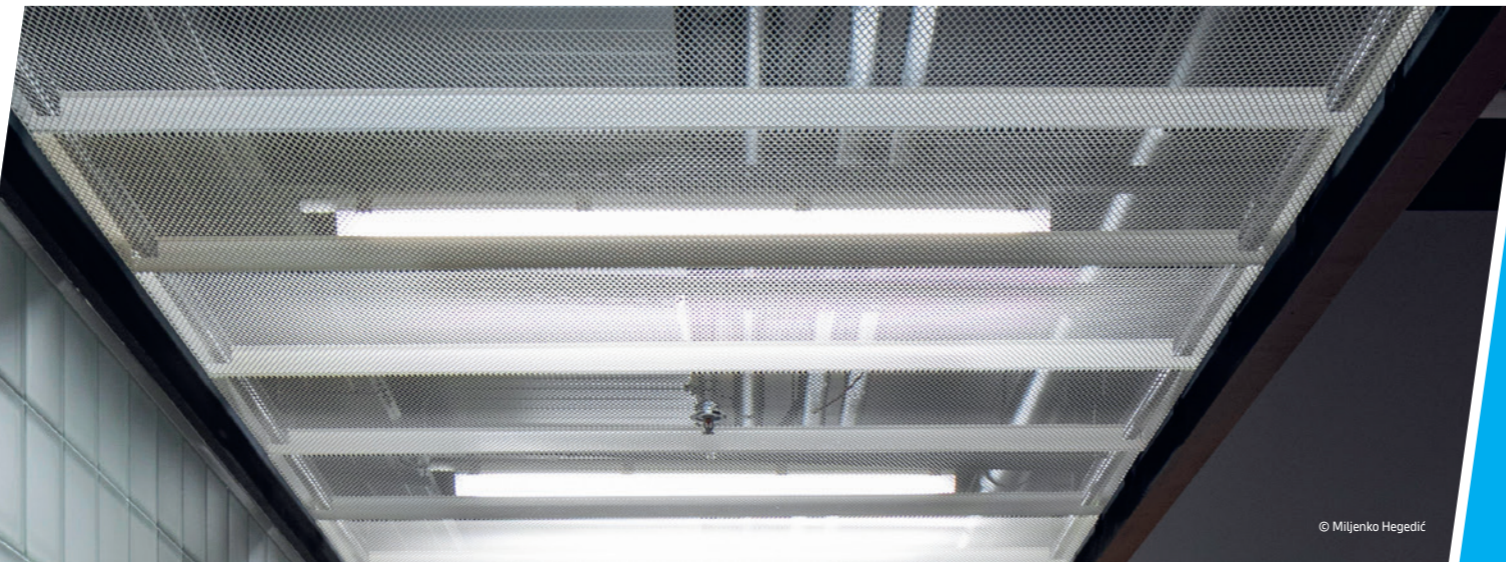
Concealed ceiling solutions create a continuous, monolithic look by concealing all of the grid system.



© Szymon Polański

FLOATING CEILINGS - CANOPIES

Open up an almost endless range of dramatic design possibilities with canopies that can be suspended from any soffit.



© Miłenko Hegedić

FREE SPAN CORRIDOR SOLUTIONS

With easy installation and access to services, wall-to-wall corridor solutions require functionality to handle high traffic and design flexibility to connect key spaces seamlessly.

Vario Design Features

There is no limit to what you can achieve with Knauf Ceiling Solutions' Vario Design range. From predefined Lay-In and Clip-In panels to variable module systems and canopies, all systems are configurable as part of the Vario Design portfolio, providing additional technical performance, versatile shapes, dimensions, patterns, or colours to meet the specific design needs of your projects.

Our portfolio of configurable and bespoke mesh ceilings gives you the freedom and flexibility to create unique solutions for every space. These ceilings offer various sizes, shapes, finishes, and patterns to ensure your project stands out.



Colours and Finishes

Mesh ceilings come in a wide array of colours and finishes, allowing for a lot of design flexibility. With so many options to choose from, mesh ceilings can add visual interest, define a space, and create the desired atmosphere in your project. In addition to standard colours, we offer a wide range of RAL and NCS colours.



Design Variations

A choice of many different systems; pattern and colour options; concealed or exposed grids; tiles that are easily removed or replaced.



Aesthetics

Crisp, clean, 'high-tech' image; modular layouts, dimensional flexibility and specific shapes.



Services Integrations

Fittings easily accommodated within tile cut-outs or modular.



Hinge-down Function

The hinge-down function is available to a selection of our mesh ceiling solutions. It allows you to quickly hinge down the ceiling to grant easy and complete access to the plenum, helping maintain any technical element located there.



Secure Function

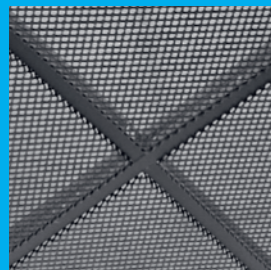
This function adds a concealed locking mechanism for mesh ceilings, making them tamper-resistant and restricting access to the plenum. They are typically used in public areas in general, with a low room height, or psychiatric and juvenile wards.

MESH Selector

	Design Layout				Standard Patterns				Vario Design Options (on request)						Features		
	Exposed Grid	Concealed Grid	Floating Ceilings - Canopies	Free Span Corridor Solutions	KD100	RB25	RB35	RB55	Dimensions	Shapes	Post-coated aluminium	Patterns	RAL colours	Cut-outs	Grid alternatives	Secure function	Hinge-down function
MESH Board	■				■	■	■	■	■		■	■	■	■			
MESH MicroLook 8	■				■	■					■	■	■	■			
MESH Tegular 8	■				■	■					■	■	■	■			
MESH Tegular 14	■				■	■					■	■	■	■			
MESH R-L 201	■				■	■	■	■	■	■	■	■	■	■	■		
MESH R-L 201 MT	■					■	■	■	■	■	■	■	■	■	■		
MESH B-L 302	■				■	■	■	■	■	■	■	■	■	■	■		
MESH B-L 302 MT	■					■	■	■	■	■	■	■	■	■	■		
MESH B-H 300	■				■	■	■	■	■	■	■	■	■	■	■		■
MESH B-H 300 MT	■					■	■	■	■	■	■	■	■	■	■		■
MESH K-H 400	■				■	■	■	■	■	■	■	■	■	■	■		■
MESH K-H 400 MT	■					■	■	■	■	■	■	■	■	■	■		■
MESH R-Clip		■				■	■	■	■	■	■	■	■	■	■	■	
MESH R-H 200		■			■	■	■	■	■	■	■	■	■	■	■	■	
MESH R-H 200 MT		■				■	■	■	■	■	■	■	■	■	■	■	
MESH R-H 215		■			■	■	■	■	■	■	■	■	■	■	■		
MESH R-H 215 MT		■				■	■	■	■	■	■	■	■	■	■		
MESH Sonic Element MT			■			■	■	■	■	■	■	■	■	■	■		
MESH Sky Element Hook MT			■			■	■	■	■	■	■	■	■	■	■		
MESH F-L 601				■	■	■	■	■	■	■	■	■	■	■	■		
MESH F-L 601 MT				■		■	■	■	■	■	■	■	■	■	■		
MESH F-Clip				■		■	■	■	■	■	■	■	■	■	■	■	
MESH F-H 600				■	■	■	■	■	■	■	■	■	■	■	■		■
MESH F-H 600 MT				■		■	■	■	■	■	■	■	■	■	■		■

	Standard Suspension System																Budget Price							
	15 mm T-grid	24 mm T-grid	U-Profile + L-Profile	U-Profile + Bandrastrer	U-Profile + C-Profile	U-Profile + DP12 A-Bar	U-Profile + J-Bar	U-Profile + H-Profile 28	U-Profile + H-Profile 35	U-Profile + Hanger	U-Profile cross-connected	C-Channel + Spring T	Crossing Box + C-Profile	Carrier Profile	Wall Bracket + Half DP12 A-Bar	Wall Bracket + J-Bar		Wall Bracket + G-Profile	Perimeter trim	Hanging wire	Wall bracket	C-Wall Profile	U-Wall Profile	
MESH Board		■																						LOW
MESH MicroLook 8	■																							LOW
MESH Tegular 8		■																						LOW
MESH Tegular 14		■																						LOW
MESH R-L 201			■																					MEDIUM
MESH R-L 201 MT			■																					MEDIUM
MESH B-L 302				■																				MEDIUM
MESH B-L 302 MT					■																			MEDIUM
MESH B-H 300													■											HIGH
MESH B-H 300 MT													■											HIGH
MESH K-H 400																								HIGH
MESH K-H 400 MT																								HIGH
MESH R-Clip														■										MEDIUM
MESH R-H 200																								HIGH
MESH R-H 200 MT																								HIGH
MESH R-H 215																								HIGH
MESH R-H 215 MT																								HIGH
MESH Sonic Element MT																						■		HIGH
MESH Sky Element Hook MT																								HIGH
MESH F-L 601																						■		MEDIUM
MESH F-L 601 MT																						■		MEDIUM
MESH F-Clip																								MEDIUM
MESH F-H 600																							■	MEDIUM
MESH F-H 600 MT																							■	MEDIUM

MESH Board, MicroLook 8, Tegular 8, Tegular 14 Exposed Grid System

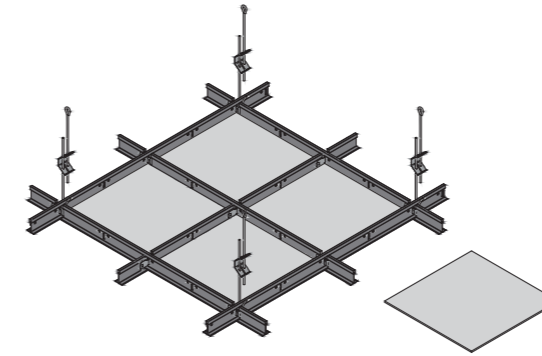


- Use MESH Lay-In to achieve an industrial and contemporary look.
- Lay-In tiles are available in a variety of edge details for installation on standard 15 and 24 mm suspension systems.
- Easily assembled and fully demountable to allow access to the ceiling void.
- Cost effective ceiling solution.
- Used in a variety of ceiling areas: from small service rooms to large commercial office buildings and major transportation terminals.



MESH Exposed Grid System

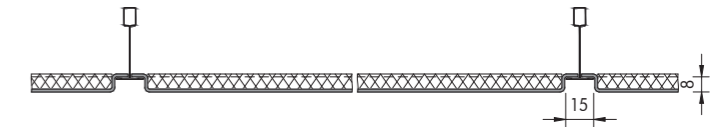
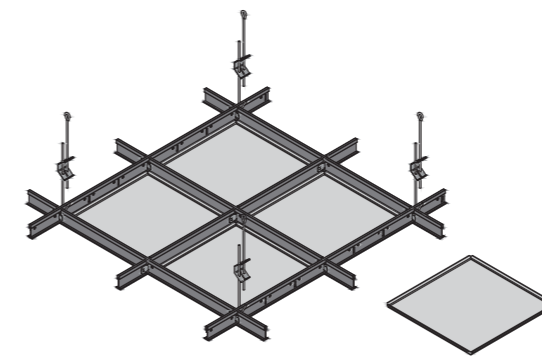
MESH Board



Tiles
Material post-coated galvanised steel (Y) 1.0 / 1.5 mm
Edge detail flat sheets, lay-in
Modules 600 x 600, 625 x 625, 1200 x 600, 1250 x 625 mm

Suspension system
Standard 24 mm T-grid, butt-cut (System C)

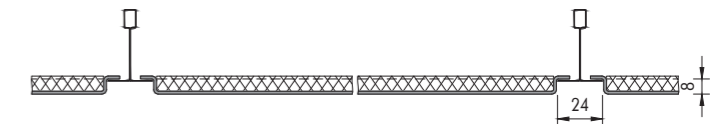
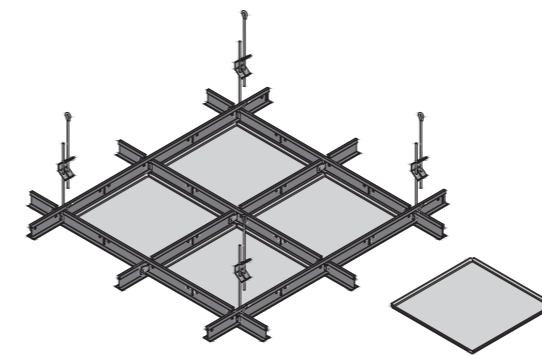
MESH MicroLook 8



Tiles
Material post-coated galvanised steel (Y) 1.0 mm
Edge detail square edged lay-in, with =8 mm drop
Modules 600 x 600 mm

Suspension system
Standard 15 mm T-grid (System C)
Optional PERFECTLINE XL²

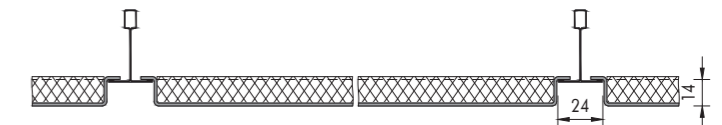
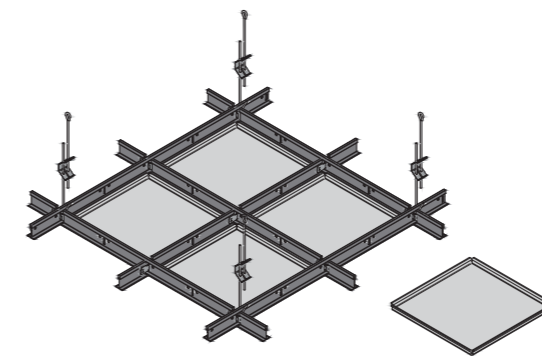
MESH Tegular 8



Tiles
Material post-coated galvanised steel (Y) 1.0 mm
Edge detail square edged lay-in, with =8 mm drop
Modules 600 x 600 mm

Suspension system
Standard 24 mm T-grid (System C)

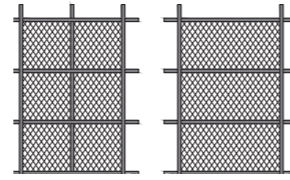
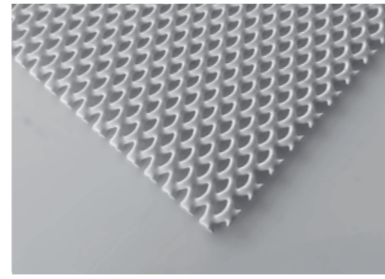
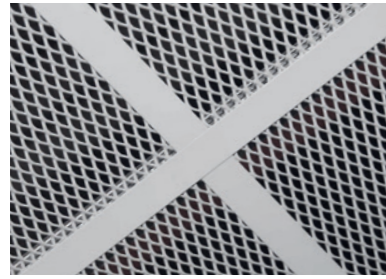
MESH Tegular 14



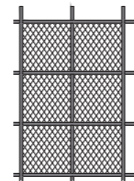
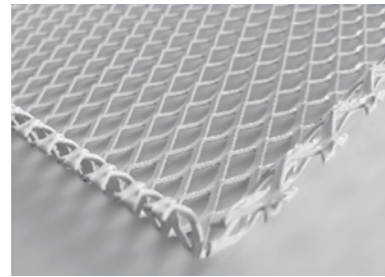
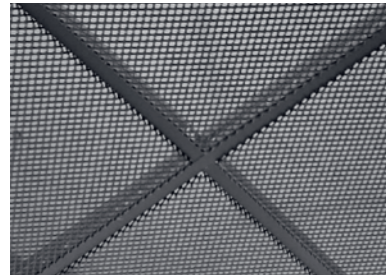
Tiles
Material post-coated galvanised steel (Y) 1.0 mm
Edge detail square edged lay-in, with =14 mm drop
Modules 625 x 625 mm

Suspension system
Standard 24 mm T-grid (System C)

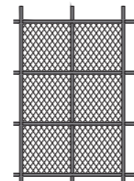
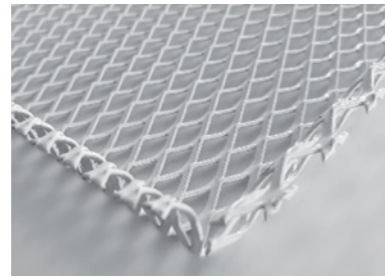
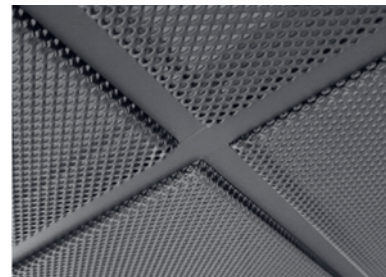
MESH Board



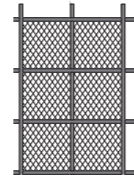
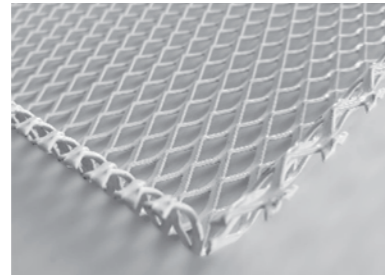
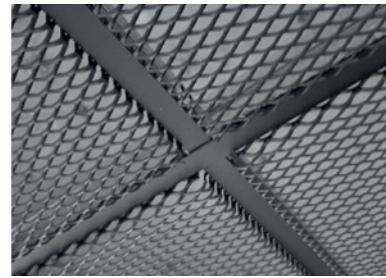
MESH MicroLook 8



MESH Tegular 8

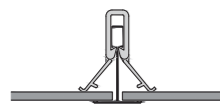


MESH Tegular 14



Hold-down clip option

MESH Board

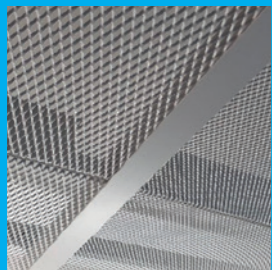


The hold-down clip option can be used to apply light pressure to the top of the tiles. This is not a security clip solution. Access to the plenum is made more difficult by the use of hold-down clips.

	Standard Patterns				Vario Design Options (on request)							Features	
	KD100	RB25	RB35	RB55	Dimensions	Shapes	Post-coated aluminium	Patterns	RAL colours	Cut-outs	Grid alternatives	Secure function	Hinge-down function
MESH Board	■	■	■	■	■		■	■	■	■			
MESH MicroLook 8	■	■						■	■	■	■		
MESH Tegular 8	■	■						■	■	■			
MESH Tegular 14	■	■						■	■	■			

Characteristic	Detailed information
Colour / Patterns	<p> RAL 9010 RAL 9006 RAL 9007 RAL 9005 KD100 RB25 RB35* RB55* Q6 x 4.5 - 1.2 x 1 R16 x 8 - 2 x 1 R28 x 10 - 2 x 1.5 R43 x 13 - 2.5 x 1.5 35% open area 50% open area 58% open area 62% open area (X) = 1.5 mm (X) = 3.0 mm (X) = 3.5 mm (X) = 4.0 mm (Y) = 1.0 mm (Y) = 1.0 mm (Y) = 1.5 mm (Y) = 1.0 mm </p> <p>further RAL & NCS colours on request *only for MESH Board further patterns on request</p>
Weight	5.0 - 6.0 kg/m²
Fire reaction	Euroclass A2-s1, d0 as per EN 13501-1
Humidity resistance	90% RH
Indoor air quality	<p>A+ IAC Gold</p>
Sustainability	<p>17.3% (2023)</p>
Cleanability	

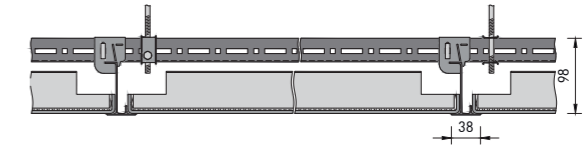
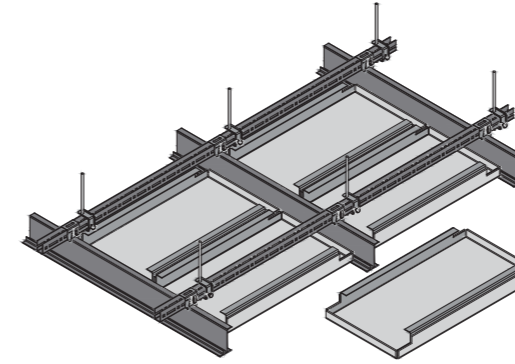
MESH R-L 201, B-L 302, B-H 300, K-H 400 Exposed Grid System



- Lay-in and hook-on systems which combine functionality with stylish simplicity and versatility by creating a linear technical zone.
- Its high open area is perfect for any industrial look inspiration.
- MESH – visible side with 90° upturn on all four edges and welded stiffening profiles inside.
- MESH MT (MicroTack Technology) – flat visible side, without upturn, with welded stiffening profiles on all edges.
- Fully configurable large size panels.
- Additional design options available as part of our Vario Design range.
- Ideal for large spaces and office environments.

MESH Exposed Grid System

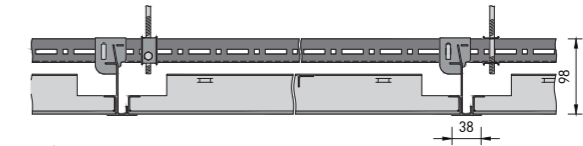
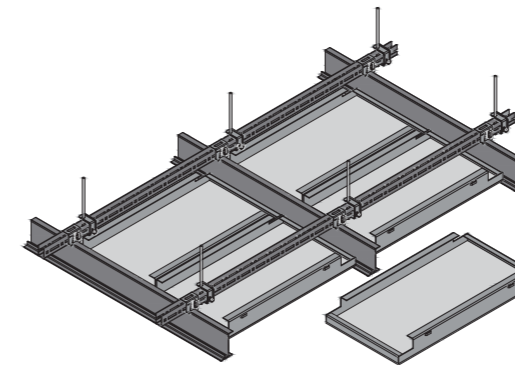
MESH R-L 201



Panels
Material post-coated galvanised steel (Y) 1.0 / 1.5 mm
Edge detail square edged lay-in, with ≈ 3 mm pen gap on long edge
Dimensions length (A) 597 - 2500 $\frac{1}{4}$ mm | width (B) 247 - 700 $\frac{1}{4}$ mm
Panel size max. 1.75 m²

Suspension system
Standard U-Profile + L-Profile 38 mm
Optional various, on request
Features radial layout with trapezoidal panels

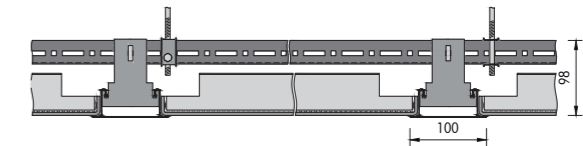
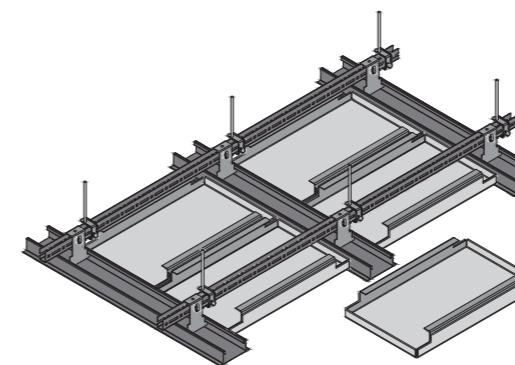
MESH R-L 201 MT



Panels
Material post-coated galvanised steel (Y) 1.0 / 1.5 mm
Edge detail square edged lay-in, with ≈ 3 mm open gap and spacers on long edge
Dimensions length (A) 597 - 2500 $\frac{1}{4}$ mm (with additional stiffener for panel length >2000 mm) | width (B) RB25: 298 - 602 $\frac{1}{3}$ mm in steps of 8 mm, RB35 / RB55: 247 - 700 $\frac{1}{4}$ mm
Panel size max. 1.75 m²

Suspension system
Standard U-Profile + L-Profile 38 mm
Optional various, on request
Features megapanel up to $\approx 1200 \times 1200$ mm, long side suspended for staggered layout, radial layout with trapezoidal panels

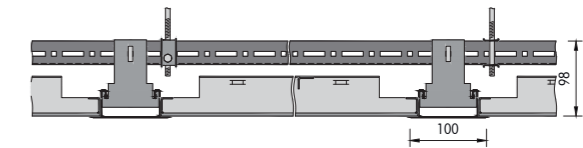
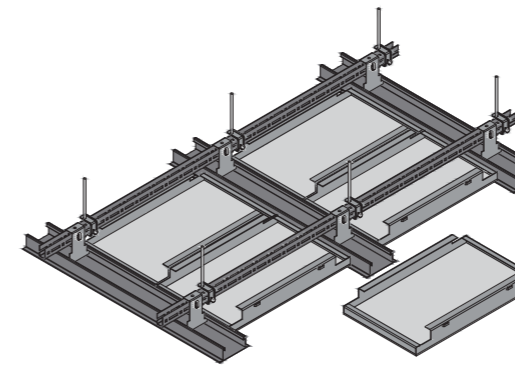
MESH B-L 302



Panels
Material post-coated galvanised steel (Y) 1.0 / 1.5 mm
Edge detail square edged lay-in, with ≈ 3 mm open gap on long edge
Dimensions length (A) 597 - 2500 $\frac{1}{4}$ mm | width (B) 247 - 700 $\frac{1}{4}$ mm
Panel Size max. 1.75 m²

Suspension system
Standard U-Profile + Bandraster 100 mm
Features crossing Bandraster for tartan layout, radial layout with trapezoidal panels

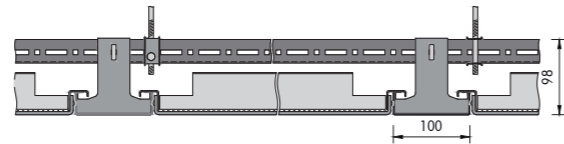
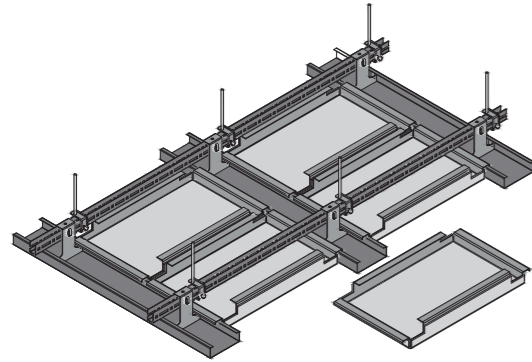
MESH B-L 302 MT



Panels
Material post-coated galvanised steel (Y) 1.0 / 1.5 mm
Edge detail square edged lay-in, with ≈ 3 mm open gap and spacers on long edge
Dimensions length (A) 597 - 2500 $\frac{1}{4}$ mm (with additional stiffener for panel length >2000 mm) | width (B) RB25: 298 - 602 $\frac{1}{3}$ mm in steps of 8 mm, RB35 / RB55: 247 - 700 $\frac{1}{4}$ mm
Panel size max. 1.75 m²

Suspension system
Standard U-Profile + Bandraster 100 mm
Features megapanel up to $\approx 1200 \times 1200$ mm, crossing Bandraster for tartan layout, radial layout with trapezoidal panels

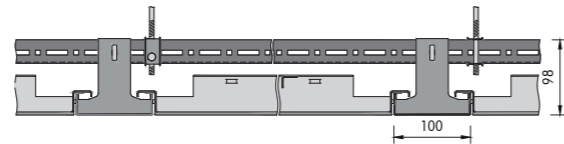
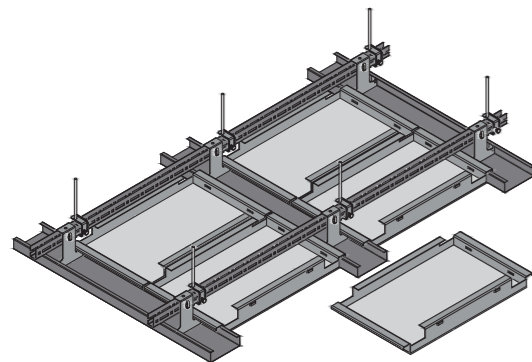
MESH B-H 300



Panels
Material post-coated galvanised steel (Y) 1.0 / 1.5 mm
Edge detail square edged hook-on, with ≈3 mm open gap on long edge both short edges
Dimensions length (A) 597 – 2500 $\frac{1}{4}$ mm | width (B) 247 – 700 $\frac{1}{4}$ mm
Panel size max. 1.75 m²

Suspension system
Standard U-Profile + C-Profile 100 mm
Optional C-Profile widths (50 – 300 mm) and further suspension options
Features hinge-down function EASY, long side suspended for staggered layout, crossing C-Profile for tartan layout, radial layout with trapezoidal panels

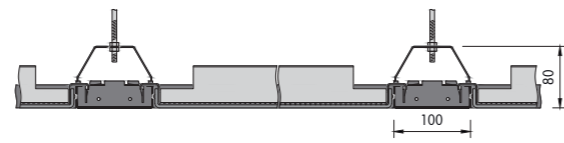
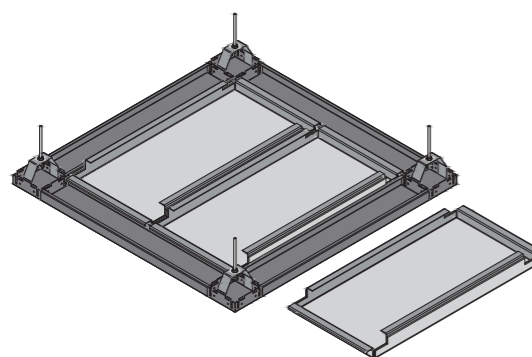
MESH B-H 300 MT



Panels
Material post-coated galvanised steel (Y) 1.0 / 1.5 mm
Edge detail square edged hook-on, with ≈3 mm open gap and spacers on long edge both short edges
Dimensions length (A) 597 – 2500 $\frac{1}{4}$ mm (with additional stiffener for panel length >2000 mm) | width (B) RB25: 298 – 602 $\frac{1}{3}$ mm in steps of 8 mm, RB35 / RB55: 247 – 700 $\frac{1}{4}$ mm
Panel size max. 1.75 m²

Suspension system
Standard U-Profile + C-Profile 100 mm
Optional C-Profile widths (50 – 300 mm) and further suspension options
Features hinge-down function EASY, long side suspended for staggered layout, crossing C-Profile for tartan layout, radial layout with trapezoidal panels

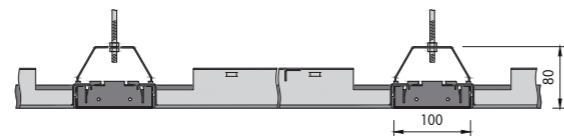
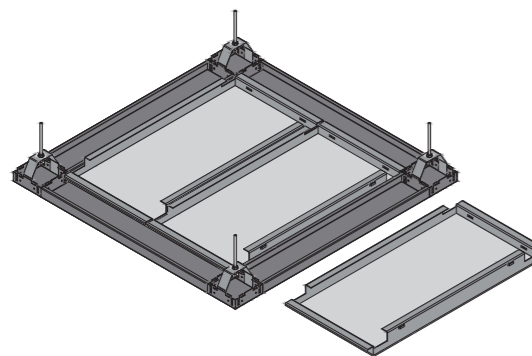
MESH K-H 400



Panels
Material post-coated galvanised steel (Y) 1.0 / 1.5 mm
Edge detail square edged hook-on, with ≈3 mm open gap on long edge and both short edges
Dimensions length (A) 597 – 2500 $\frac{1}{4}$ mm | width (B) 247 – 700 $\frac{1}{4}$ mm
Panel Size max. 1.75 m²

Suspension system
Standard U-Profile + C-Profile 100 mm
Optional Crossing box & C-Profile widths (70 – 300 mm) and shapes
Features hinge-down function EASY, various layout options

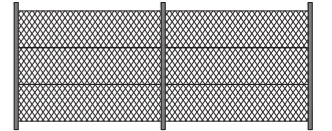
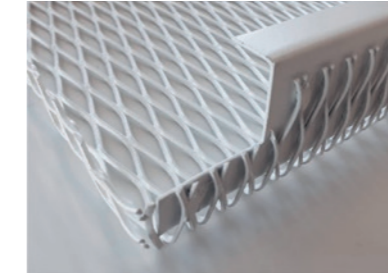
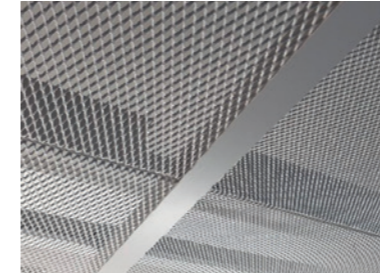
MESH K-H 400 MT



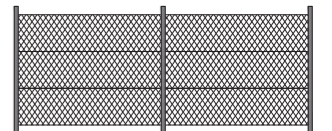
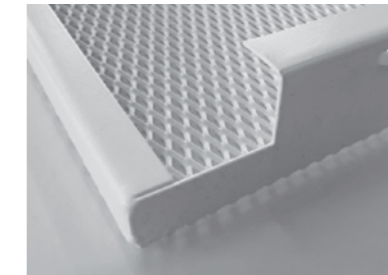
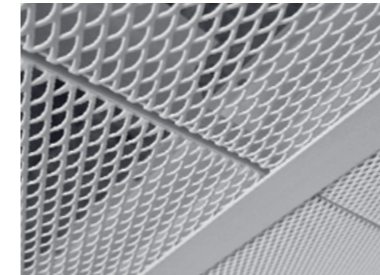
Panels
Material post-coated galvanised steel (Y) 1.0 / 1.5 mm
Edge detail square edged hook-on, with ≈3 mm open gap and spacers on long edge and both short edges
Dimensions length (A) 597 – 2500 $\frac{1}{4}$ mm (with additional stiffener for panel length >2000 mm) | width (B) RB25: 298 – 602 $\frac{1}{3}$ mm in steps of 8 mm, RB35 / RB55: 247 – 700 $\frac{1}{4}$ mm
Panel size max. 1.75 m²

Suspension system
Standard U-Profile + C-Profile 100 mm
Optional Crossing box & C-Profile widths (70 – 300 mm) and shapes
Features hinge-down function EASY, megapanel up to ≈1200 x 1200 mm, various layout options

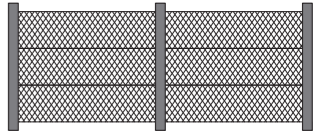
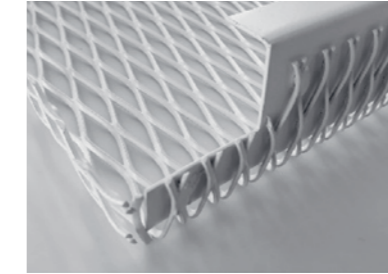
MESH R-L 201



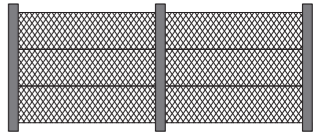
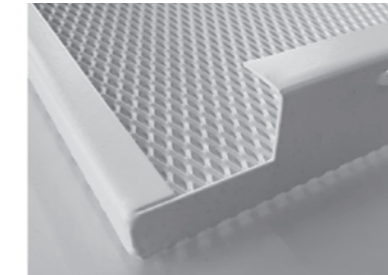
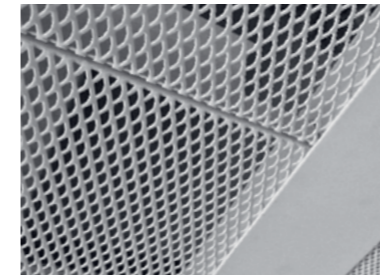
MESH R-L 201 MT



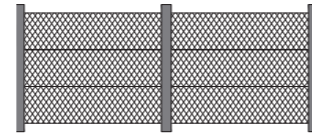
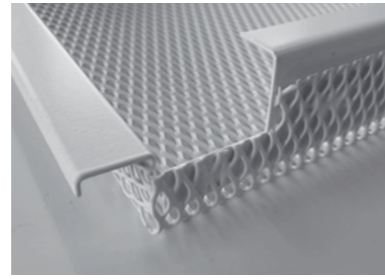
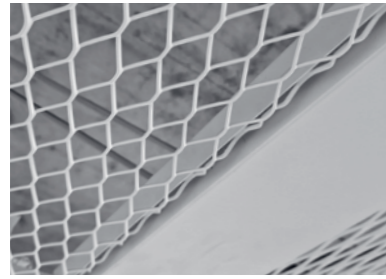
MESH B-L 302



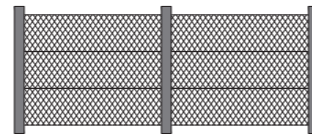
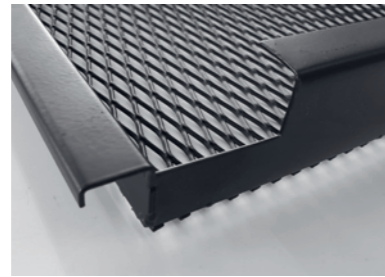
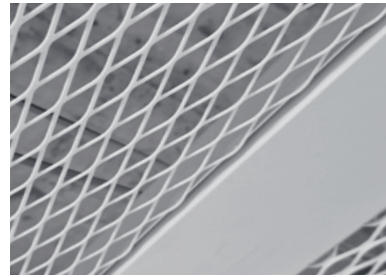
MESH B-L 302 MT



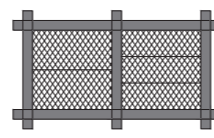
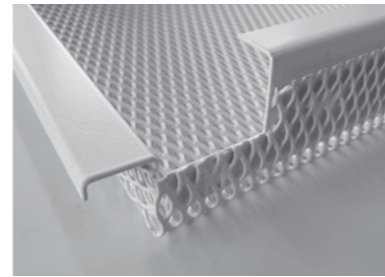
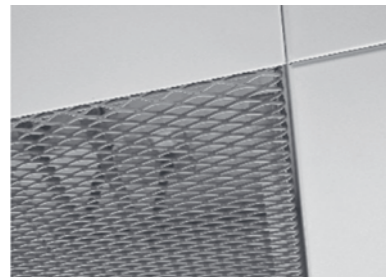
MESH B-H 300



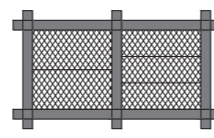
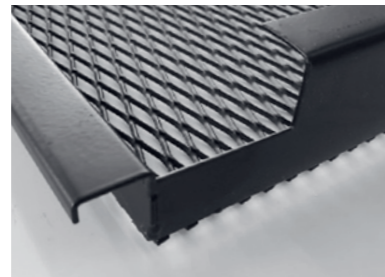
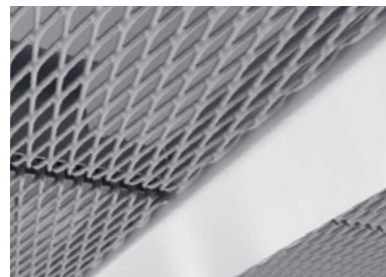
MESH B-H 300 MT



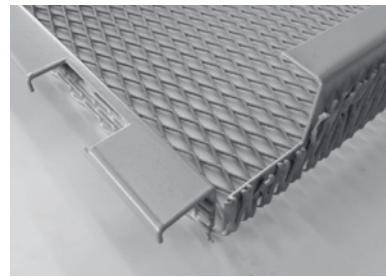
MESH K-H 400



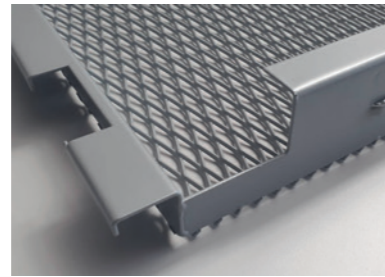
MESH K-H 400 MT



MESH B-H 300 & METAK K-H 400 panel options
Hinge-down function EASY



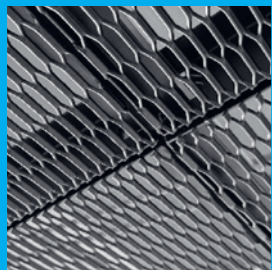
Hinge-down function EASY MT



	Standard Patterns				Vario Design Options (on request)						Features		
	KD100	RB25	RB35	RB55	Dimensions	Shapes	Post-coated aluminium	Patterns	RAL colours	Cut-outs	Grid alternatives	Secure function	Hinge-down function
MESH R-L 201	■	■	■	■	■	■	■	■	■	■	■		
MESH R-L 201 MT		■	■	■	■	■		■	■	■	■		
MESH B-L 302	■	■	■	■	■	■	■	■	■	■	■		
MESH B-L 302 MT		■	■	■	■	■		■	■	■	■		
MESH B-H 300	■	■	■	■	■	■	■	■	■	■	■		■
MESH B-H 300 MT		■	■	■	■	■		■	■	■	■		■
MESH K-H 400	■	■	■	■	■	■	■	■	■	■	■		■
MESH K-H 400 MT		■	■	■	■	■		■	■	■	■		■

Characteristic	Detailed information					
Colour / Patterns	 RAL 9010 RAL 9006 RAL 9007 RAL 9005	 KD100* RB25 RB35 RB55	Q6 x 4.5 - 1.2 x 1 35% open area (X) = 1.5 mm (Y) = 1.0 mm	R16 x 8 - 2 x 1 50% open area (X) = 3.0 mm (Y) = 1.0 mm	R28 x 10 - 2 x 1.5 58% open area (X) = 3.5 mm (Y) = 1.5 mm	R43 x 13 - 2.5 x 1.5 62% open area (X) = 4.0 mm (Y) = 1.5 mm
	further RAL & NCS colours on request		*only for MESH Board further patterns on request			
Weight	8.0 - 12.0 kg/m²					
Fire reaction	Euroclass A2-s1, d0 as per EN 13501-1					
Humidity resistance	90% RH					
Indoor air quality	 A+ IAC Gold					
Sustainability	 17.3% (2023)					
Cleanability						

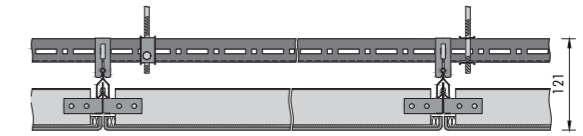
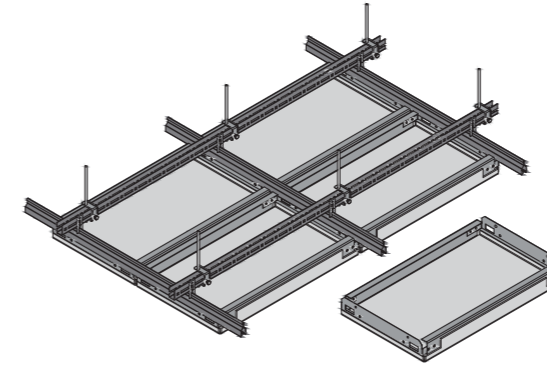
MESH R-Clip, R-H 200, R-H 215 Concealed Grid System



- Clip-in and hook-on panels provide a versatile and simple design
- Its high open area is perfect for any industrial look inspiration.
- MESH – visible side with 90° upturn on all four edges and welded stiffening profiles inside.
- MESH MT (MicroTack Technology) – flat visible side, without upturn, with welded stiffening profiles on all edges.
- Concealed grid for a monolithic effect.
- Fully configurable large size panels and cost effective square tile alternatives available.
- Additional design options available as part of our Vario Design range.
- Used in a variety of ceiling areas: from small service rooms to large commercial office buildings and major transportation terminals.

MESH Concealed Grid System

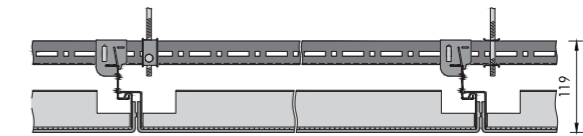
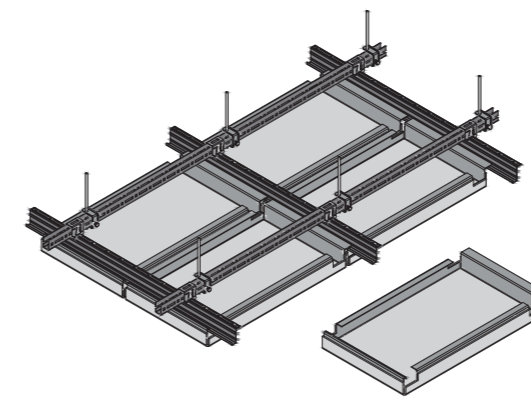
MESH R-Clip



Panels
Material post-coated galvanised steel (Y) 1.0 / 1.5 mm
Edge detail square edged clip-in, with ≈3 mm open gap on long and short edge
Dimensions length (A) 600 – 2500 $\frac{1}{4}$ mm | width (B) 247 – 600 $\frac{1}{4}$ mm
Panel size max. 1.5 m²

Suspension system
Standard U-Profile + DP12 A-Bar
Optional various, on request
Features security clip, staggered layout

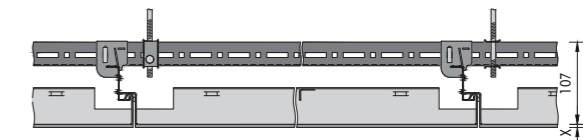
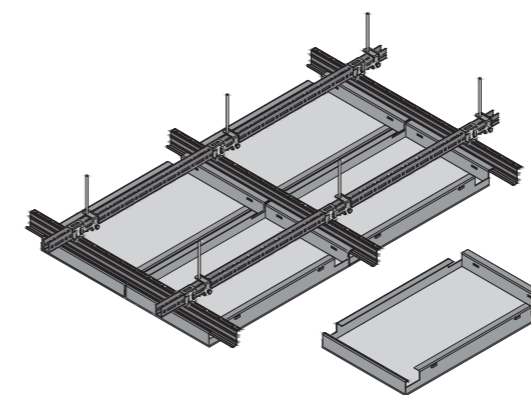
MESH R-H 200



Panels
Material post-coated galvanised steel (Y) 1.0 / 1.5 mm
Edge detail square edged hook-on, with ≈3 mm open gap on long and short edge
Dimensions length (A) 597 – 2500 $\frac{1}{4}$ mm | width (B) 247 – 700 $\frac{1}{4}$ mm
Panel size max. 1.75 m²

Suspension system
Standard U-Profile + J-Bar
Optional various, on request
Features security bracket, perimeter panels, long side suspended panels for staggered layouts, bespoke and radial layout with trapezoidal panels

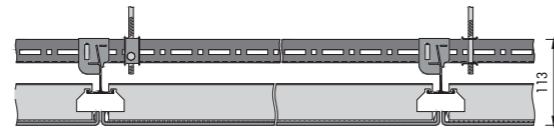
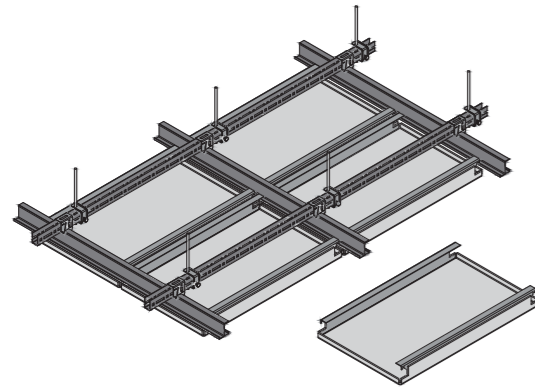
MESH R-H 200 MT



Panels
Material post-coated galvanised steel (Y) 1.0 / 1.5 mm
Edge detail square edged hook-on, with ≈3 mm open gap and spacers on long and short edge
Dimensions length (A) 597 – 2500 $\frac{1}{4}$ mm (with additional stiffener for panel length >2000 mm) | width (B) RB25: 298 – 602 $\frac{1}{3}$ mm in steps of 8 mm, RB35 / RB55: 247 – 700 $\frac{1}{4}$ mm
Panel Size max. 1.75 m²

Suspension system
Standard U-Profile + J-Bar
Optional various, on request
Features security bracket, megapanel up to ≈1200 x 1200 mm, perimeter panels, long side suspended panels for staggered layouts, bespoke and radial layout with trapezoidal panels

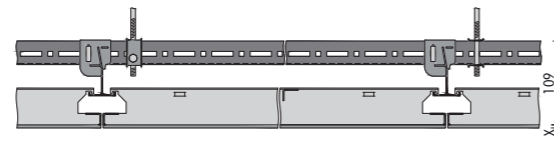
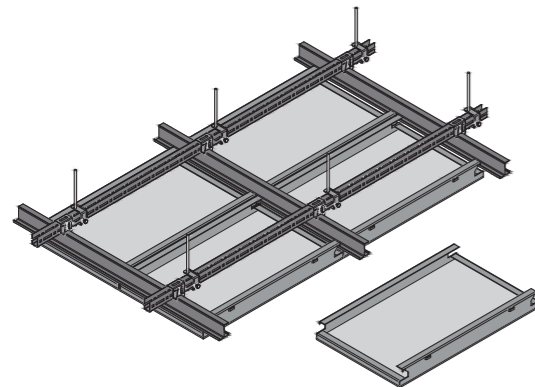
MESH R-H 215



Panels
 Material post-coated galvanised steel (Y) 1.0 / 1.5 mm
 Edge detail square edged hook-on, with ≈3 mm open gap on long and short edge
 Dimensions length (A) 597 – 2500 $\frac{1}{4}$ mm | width (B) 247 – 700 $\frac{1}{4}$ mm
 Panel size max. 1.75 m²

Suspension system
 Standard U-Profile + H-Profile 35
 Features perimeter panels

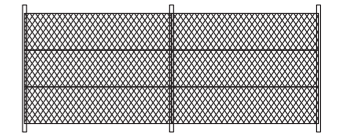
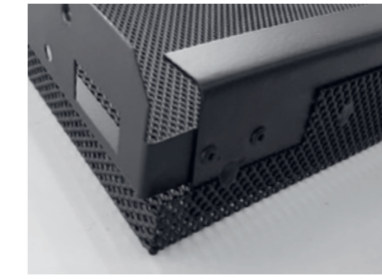
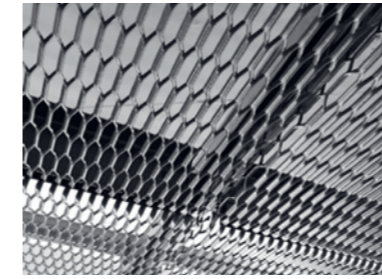
MESH R-H 215 MT



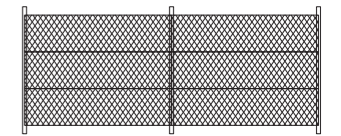
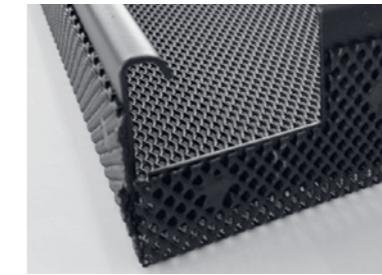
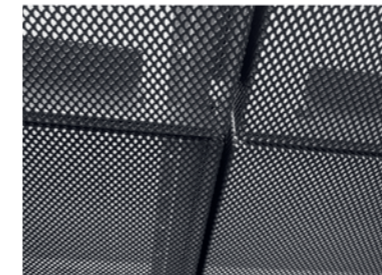
Panels
 Material post-coated galvanised steel (Y) 1.0 / 1.5 mm
 Edge detail square edged hook-on, with ≈3 mm open gap and spacers on long and short edge
 Dimensions length (A) 597 – 2500 $\frac{1}{4}$ mm (with additional stiffener for panel length >2000 mm) | width (B) RB25: 298– 602 $\frac{1}{3}$ mm in steps of 8 mm, RB35 / RB55: 247 – 700 $\frac{1}{4}$ mm
 Panel size max. 1.75 m²

Suspension system
 Standard U-Profile + H-Profile 35
 Features perimeter panels

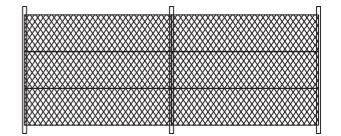
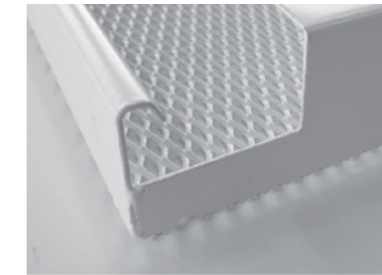
MESH R-Clip



MESH R-H 200



MESH R-H 200 MT



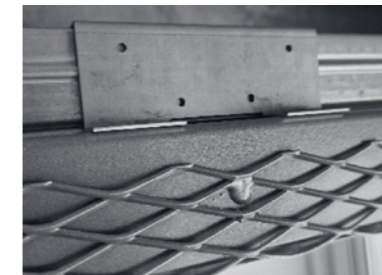
Security clip / bracket options

For MESH R-Clip

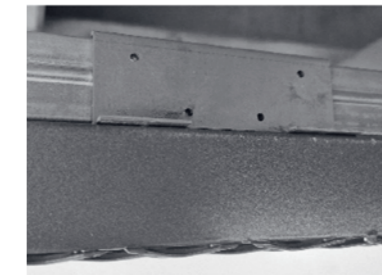


With both solutions it is possible to extract a panel from the fully installed ceiling. An extraction tool is required for this.

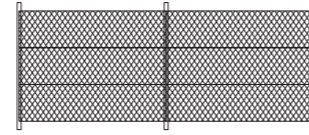
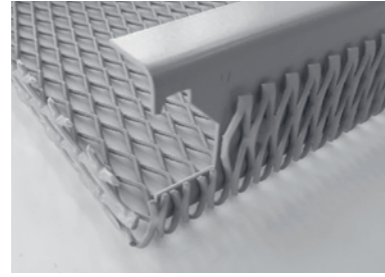
For MESH R-H 200



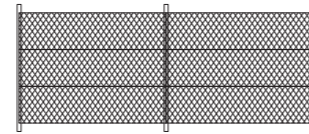
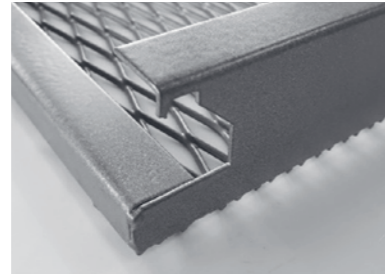
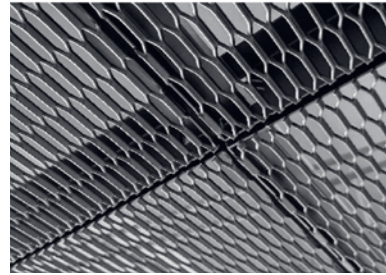
For MESH R-H 200 MT



MESH R-H 215



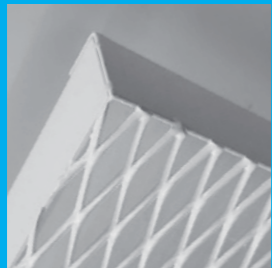
MESH R-H 215 MT



	Standard Patterns				Vario Design Options (on request)							Features	
	KD100	RB25	RB35	RB55	Dimensions	Shapes	Post-coated aluminium	Patterns	RAL colours	Cut-outs	Grid alternatives	Secure function	Hinge-down function
MESH R-Clip		■	■	■	■	■		■	■	■	■	■	
MESH R-H 200	■	■	■	■	■	■	■	■	■	■	■	■	
MESH R-H 200 MT		■	■	■	■	■		■	■	■	■	■	
MESH R-H 215	■	■	■	■	■	■	■	■	■	■			
MESH R-H 215 MT		■	■	■	■	■		■	■	■			

Characteristic	Detailed information				
Colour / Patterns	RAL 9010 RAL 9006 RAL 9007 RAL 9005 further RAL & NCS colours on request	KD100* Q6 x 4.5 - 1.2 x 1 35% open area (X) = 1.5 mm (Y) = 1.0 mm further patterns on request	RB25 R16 x 8 - 2 x 1 50% open area (X) = 3.0 mm (Y) = 1.0 mm * not available for MESH MT solutions and MESH R-Clip	RB35 R28 x 10 - 2 x 1.5 58% open area (X) = 3.5 mm (Y) = 1.5 mm	RB55 R43 x 13 - 2.5 x 1.5 62% open area (X) = 4.0 mm (Y) = 1.5 mm
Weight	8.5 - 10.5 kg/m²				
Fire reaction	Euroclass A2-s1, d0 as per EN 13501-1				
Humidity resistance	90% RH				
Indoor air quality	A+ IAC Gold				
Sustainability	EN ISO 14021 17.3% (2023)	EPD EN 15904	cradle to cradle SILVER		
Cleanability					

MESH Sonic Element MT, Sky Element Hook MT Floating Ceilings – Canopies



Build on us.

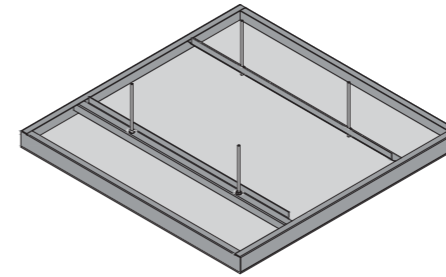


© Szymon Polarski

- MESH Sonic Element MT is a fully configurable solution, suspended as a single element with adjustable hanging wires for a quick and easy installation.
- MESH Sky Element Hook MT system is a floating modular solution for optimum flexibility.
- Fully configurable large size panels, installed in a row, with standard and end panels or as single elements.
- Its high open area is perfect for any industrial look inspiration.
- MESH MT (MicroTack Technology) – flat visible side, without upturn, with welded stiffening profiles on all edges.
- Additional design options available as part of our Vario Design range.
- Ideal for showrooms, entrance halls, transport hubs, meeting rooms, retail and waiting areas.

MESH Floating Ceilings – Canopies

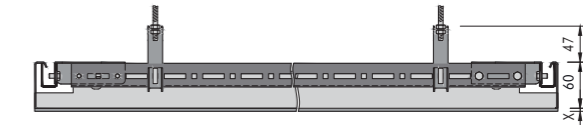
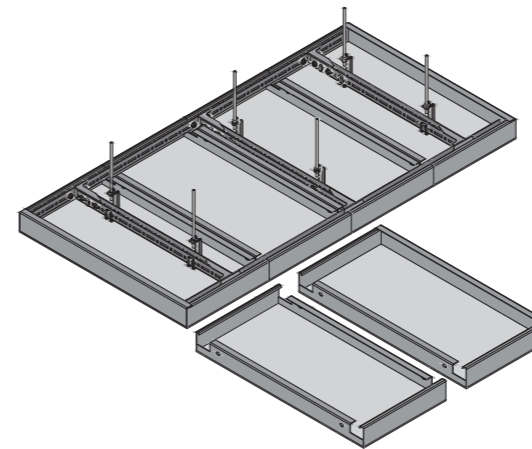
MESH Sonic Element MT



Canopies	
Material	post-coated galvanised steel (Y) 1.0 - 1.5 mm
Edge detail	delivered with two reinforcement profiles inside
Dimensions	length (A) 800 – 1200 $\frac{1}{8}$ mm width (B) RB25: 802 – 1202 $\frac{1}{8}$ mm in steps of 8 mm, RB35 / RB55: 800 – 1200 $\frac{1}{8}$ mm
Panel size	max. 1.44 m ²

Suspension system	
Standard	hanging wires (4000 mm length) or threaded rod M6, 4 pcs/canopy needed

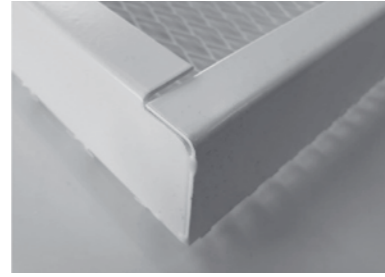
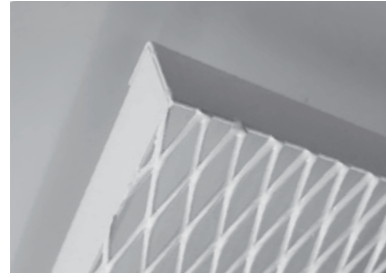
MESH Sky Element Hook MT



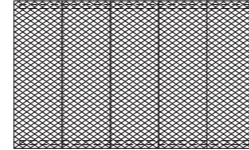
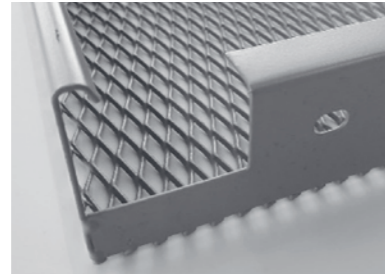
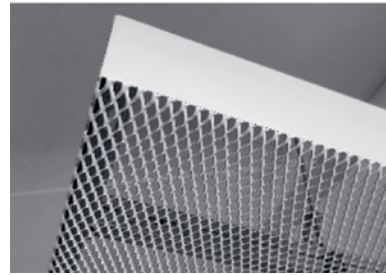
Tiles	
Material	post-coated galvanised steel (Y) 1.0 / 1.5 mm
Edge detail	square edged hook-on standard panels with visible short sides square edged hook-on end panels with one visible long and short sides
Dimensions	length (A) 585 – 2485 $\frac{1}{8}$ mm in steps of 25 mm width (B) RB25: 298 – 602 $\frac{1}{8}$ mm in steps of 8 mm, RB35 / RB55: 247 – 700 $\frac{1}{4}$ mm
Panel size	max. 1.74 m ²

Suspension system	
Standard	U-Profile cross-connected, for a slim design with concealed grid
Features	megapanel up to =1200 x 1200 mm

MESH Sonic Element MT



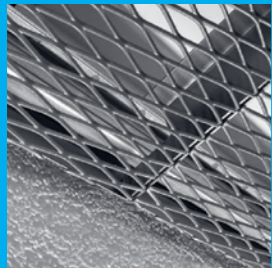
MESH Sky Element Hook MT



	Standard Patterns				Vario Design Options (on request)						Features		
	KD100	RB25	RB35	RB55	Dimensions	Shapes	Post-coated aluminium	Patterns	RAL colours	Cut-outs	Grid alternatives	Secure function	Hinge-down function
MESH Sonic Element MT		■	■	■	■	■		■	■	■			
MESH Sky Element Hook MT		■	■	■	■			■	■	■			

Characteristic	Detailed information							
Colour / Patterns		 RAL 9010	 RAL 9006	 RAL 9007	 RAL 9005	 RB25 R16 x 8 - 2 x 1 50% open area (X) = 3.0 mm (Y) = 1.0 mm further RAL & NCS colours on request	 RB35 R28 x 10 - 2 x 1.5 58% open area (X) = 3.5 mm (Y) = 1.5 mm	 RB55 R43 x 13 - 2.5 x 1.5 62% open area (X) = 4.0 mm (Y) = 1.5 mm further patterns on request
Weight		6.5 - 13 kg/m²						
Fire reaction		Euroclass A2-s1, d0 as per EN 13501-1						
Humidity resistance		90% RH						
Indoor air quality		 A+	 IAC Gold					
Sustainability		 EN ISO 14001	 EN 15804	 cradle to cradle SILVER				
Cleanability								

MESH F-L 601, F-Clip, F-H 600 Free Span Corridor Solutions

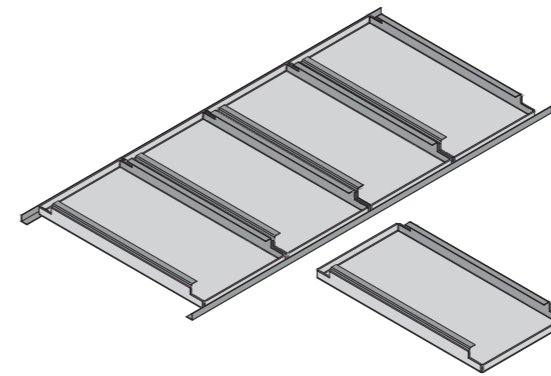


- These lay-in, clip-in or hook-on are rectangular panel free-span solutions that simply span between the walls, allowing for easy installation and access to services.
- Its high open area is perfect for any industrial look inspiration.
- MESH – visible side with 90° upturn on all four edges and welded stiffening profiles inside.
- MESH MT (MicroTack Technology) – flat visible side, without upturn, with welded stiffening profiles on all edges.
- MESH F-L 601 / MESH F-L 601 MT with various perimeter trim solutions for a clean aesthetic finish.
- Adjustable perimeter shadow gap detailing for MESH F-Clip, MESH F-H 600 / MESH F-H 600 MT.
- Maintenance-friendly systems.
- Additional design options available as part of our Vario Design range.
- Used in corridors where the panels simply span between walls.

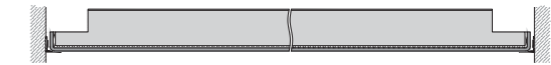
Datasheet

MESH Free Span Corridor Solutions

MESH F-L 601



L-perimeter trim option



Shadowline perimeter trim option

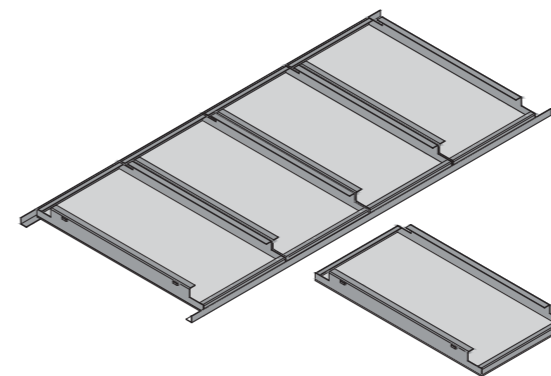


Panels
Material post-coated galvanised steel (Y) 1.0 / 1.5 mm
Edge detail square edged lay-in, with ≈3 mm open gap on long edge
Dimensions length (A) 597 – 2500 %₆ mm | width (B) 247 – 700 %₄ mm
Panel size max. 1.75 m²

Suspension system

Standard L-perimeter trim range
Optional shadowline perimeter trim range for a minimal installation height

MESH F-L 601 MT



L-perimeter trim option



Shadowline perimeter trim option

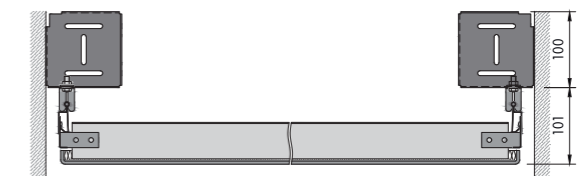
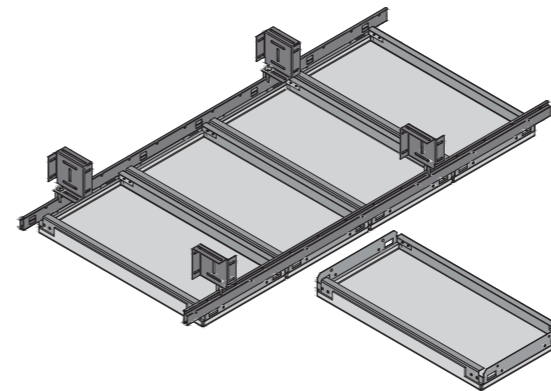


Panels
Material post-coated galvanised steel (Y) 1.0 / 1.5 mm
Edge detail square edged lay-in, with ≈3 mm open gap and spacers on long edge
Dimensions length (A) 597 – 2500 %₆ mm (with additional stiffener for panel length >2000 mm) | width (B) RB25: 298 – 60 %₃ mm in steps of 8 mm, RB35 / RB55: 247 – 700 %₄ mm
Panel size max. 1.75 m²

Suspension system

Standard L-perimeter trim range
Optional shadowline perimeter trim range for a minimal installation height

MESH F-Clip

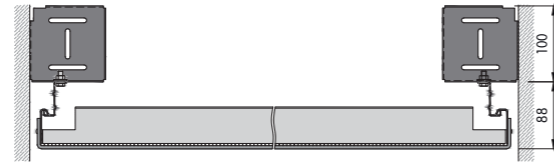
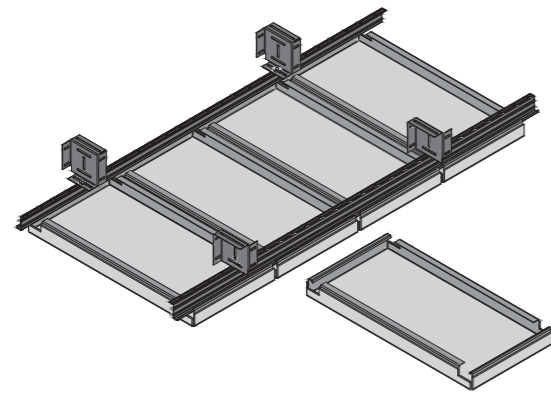


Panels
Material post-coated galvanised steel (Y) 1.0 / 1.5 mm
Edge detail square edged clip-in, with ≈3 mm open gap on long edge
Dimensions length (A) 600 – 2500 %₆ mm | width (B) 247 – 600 %₄ mm
Panel size max. 1.5 m²

Suspension system

Standard Wall bracket + half DP12 A-Bar (2 – 80 mm open shadow gap to wall)
Optional Wall bracket + DP12 A-Bar (10 – 89 mm open shadow gap to wall)
Features security clip

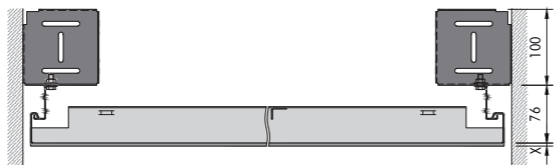
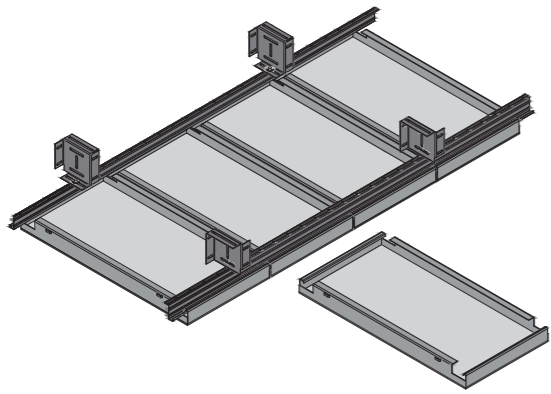
MESH F-H 600



Panels
Material post-coated galvanised steel (Y) 1.0 / 1.5 mm
Edge detail square edged hook-on, with =3 mm open gap on long edge
Dimensions length (A) 597 – 2500 $\frac{1}{4}$ mm | width (B) 247 – 700 $\frac{1}{4}$ mm
Panel size max. 1.75 m²

Suspension system
Standard Wall bracket + J-Bar (5 – 65 mm open shadow gap to wall)
Features security bracket

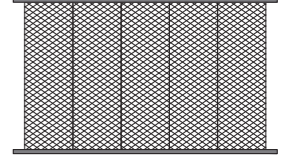
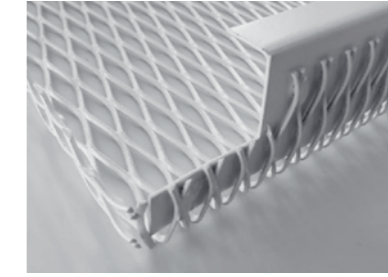
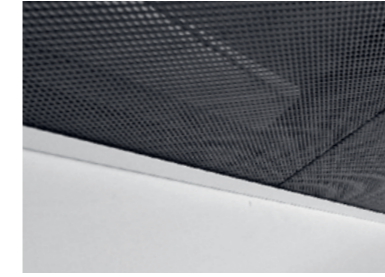
MESH F-H 600 MT



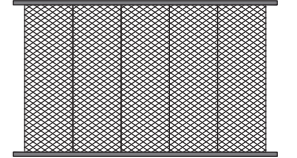
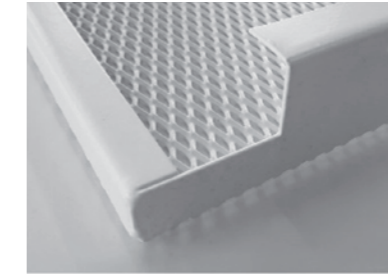
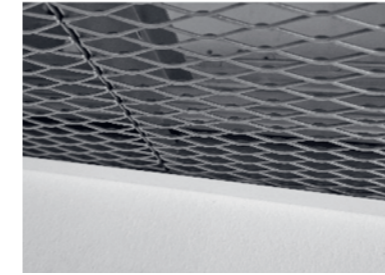
Panels
Material post-coated galvanised steel (Y) 1.0 / 1.5 mm
Edge detail square edged hook-on, with =3 mm open gap and spacers on long edge
Dimensions length (A) 597 – 2500 $\frac{1}{4}$ mm (with additional stiffener for panel length >2000 mm) | width (B) RB25: 298 – 602 $\frac{1}{3}$ mm in steps of 8 mm, RB35 / RB55: 247 – 700 $\frac{1}{4}$ mm
Panel size max. 1.75 m²

Suspension system
Standard Wall bracket + J-Bar (5 – 65 mm open shadow gap to wall)
Features security bracket

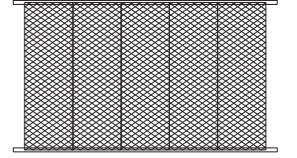
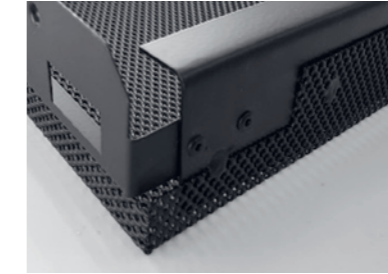
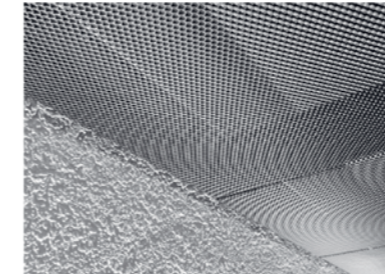
MESH F-L 601



MESH F-L 601 MT



MESH F-Clip

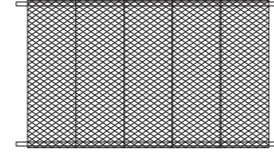
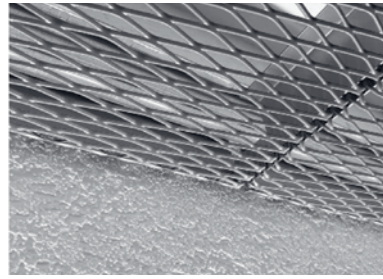


Security clip option

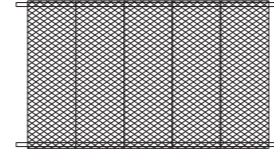
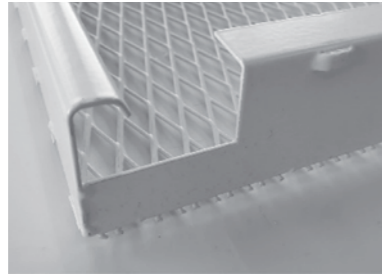
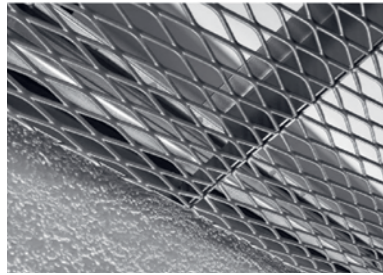
For MESH F-Clip



MESH F-H 600

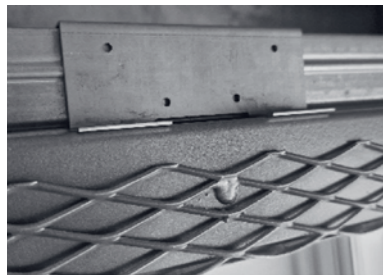


MESH F-H 600 MT

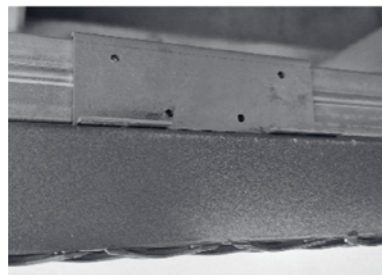


Security bracket options

For MESH F-H 600



For MESH F-H 600 MT



	Standard Patterns				Vario Design Options (on request)							Features	
	KD100	RB25	RB35	RB55	Dimensions	Shapes	Post-coated aluminium	Patterns	RAL colours	Cut-outs	Grid alternatives	Secure function	Hinge-down function
MESH F-L 601	■	■	■	■	■	■	■	■	■	■			
MESH F-L 601 MT		■	■	■	■	■		■	■	■			
MESH F-Clip		■	■	■	■			■	■	■	■	■	
MESH F-H 600	■	■	■	■	■	■	■	■	■	■		■	
MESH F-H 600 MT		■	■	■	■	■		■	■	■		■	

Characteristic	Detailed information	
Colour / Patterns	RAL 9010 RAL 9006 RAL 9007 RAL 9005 further RAL & NCS colours on request	KD100* Q6 x 4.5 - 1.2 x 1 35% open area (X) = 1.5 mm (Y) = 1.0 mm RB25 R16 x 8 - 2 x 1 50% open area (X) = 3.0 mm (Y) = 1.0 mm RB35 R28 x 10 - 2 x 1.5 58% open area (X) = 3.5 mm (Y) = 1.5 mm RB55 R43 x 13 - 2.5 x 1.5 62% open area (X) = 4.0 mm (Y) = 1.5 mm further patterns on request * not available for MESH MT solutions and MESH R-Clip
Weight	8.5 - 10.5 kg/m²	
Fire reaction	Euroclass A2-s1, d0 as per EN 13501-1	
Humidity resistance	90% RH	
Indoor air quality	A+ IAC Gold	
Sustainability	EN ISO 14021 EPD EN 15904 cradle to cradle SILVER 17.3% (2023)	
Cleanability		

MESH Edge Details, Colours & Patterns

Mesh post-coated ceilings come in a wide array of colours, allowing for a lot of design flexibility. With so many colours to choose from, mesh ceilings can be a great way to add visual interest, define a space, and create the desired atmosphere in your project. Besides standard colours, we can offer a wide range of RAL & NCS colours.



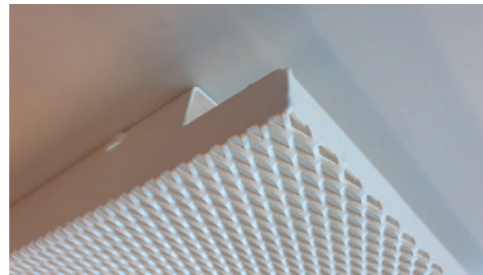
RAL 9016 RAL 9003 RAL 9010 RAL 9006 RAL 9007 RAL 7016 RAL 9005

Mesh



Visible side with 90° upturn on all four edges and welded stiffening profiles inside.

Mesh MT



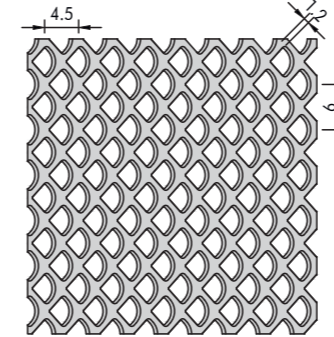
(MicroTack Technology) Flat visible side, without upturn, with welded stiffening profiles on all edges.

STANDARD PATTERNS

Galvanised steel MESH types

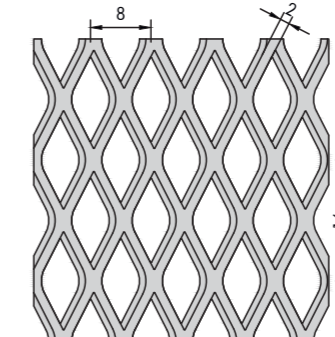
KD100

Q6 x 4.5 - 1.2 x 1
35% open area
MESH thickness (X) = 1.5 mm
Galvanised steel gauge (Y) = 1.0 mm
MESH weight = 4.15 kg/m²



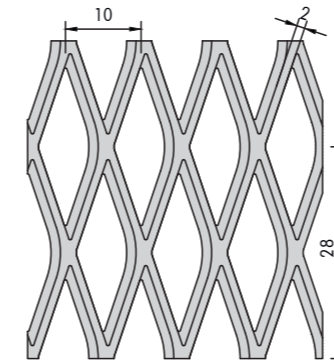
RB25

R16 x 8 - 2 x 1
50% open area
MESH thickness (X) = 3.0 mm
Galvanised steel gauge (Y) = 1.0 mm
MESH weight = 4.0 kg/m²



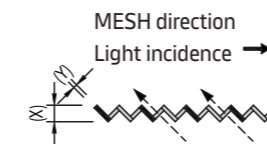
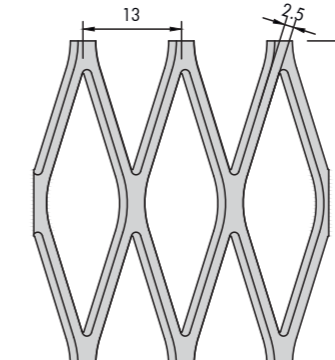
RB35

R28 x 10 - 2 x 1.5
58% open area
MESH thickness (X) = 3.5 mm
Galvanised steel gauge (Y) = 1.5 mm
MESH weight = 4.8 kg/m²



RB55

R43 x 13 - 2.5 x 1.5
62% open area
MESH thickness (X) = 4.0 mm
Galvanised steel gauge (Y) = 1.5 mm
MESH weight = 4.35 kg/m²

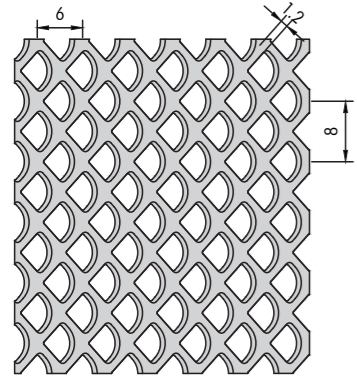


VARIO DESIGN PATTERNS

Galvanised steel MESH types

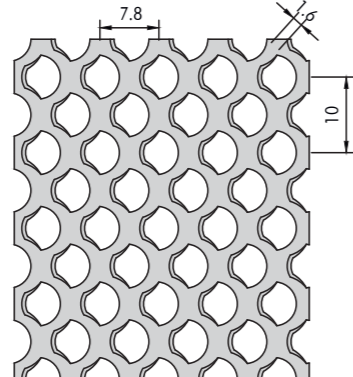
KD200

Q8x6-1.2x1
54% open area
MESH thickness (X) = 1.5 mm
Galvanised steel gauge (Y) = 1.0 mm
MESH weight = 3.15 kg/m²



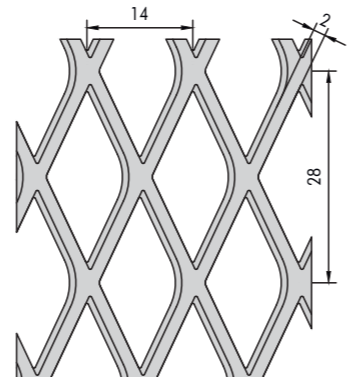
TAU30

T10x7.8-1.6x1
55% open area
MESH thickness (X) = 2.0 mm
Galvanised steel gauge (Y) = 1.0 mm
MESH weight = 3.1 kg/m²



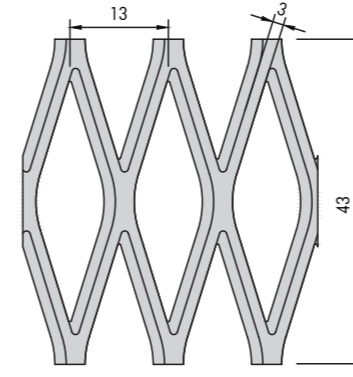
RB35XL

R28x14-2x1.5
71% open area
MESH thickness (X) = 3.5 mm
Galvanised steel gauge (Y) = 1.5 mm
MESH weight = 3.4 kg/m²



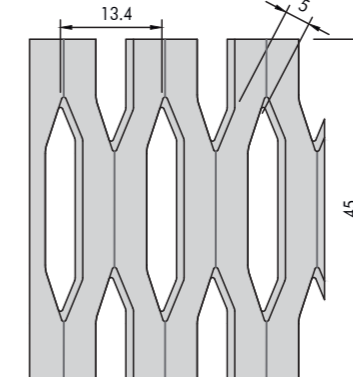
RB55AL

R43x13-2x2
55% open area
MESH thickness (X) = 6.0 mm
Aluminium gauge (Y) = 2.0 mm
MESH weight = 2.5 kg/m²



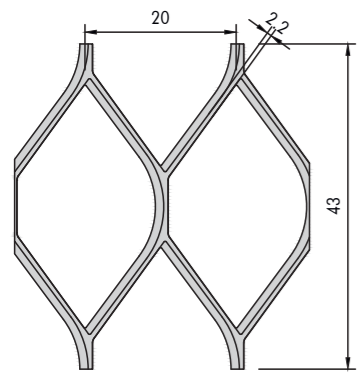
E45AL

E45x15-5x1.5
33% open area
MESH thickness (X) = 7.0 mm
Aluminium gauge (Y) = 1.5 mm
MESH weight = 3.0 kg/m²



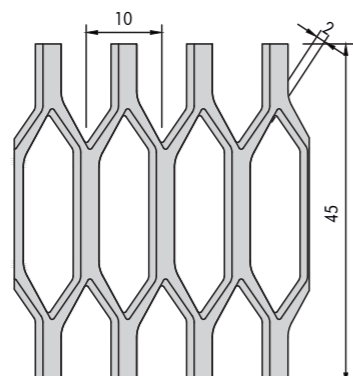
RB55XL

R43x20x2.2x1.5
79% open area
MESH thickness (X) = 4.5 mm
Galvanised steel gauge (Y) = 1.5 mm
MESH weight = 2.5 kg/m²



E45

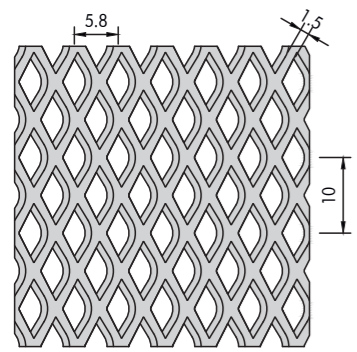
E45x10-2x1.5
68% open area
MESH thickness (X) = 4.0 mm
Galvanised steel gauge (Y) = 1.5 mm
MESH weight = 4.7 kg/m²



Aluminium MESH types

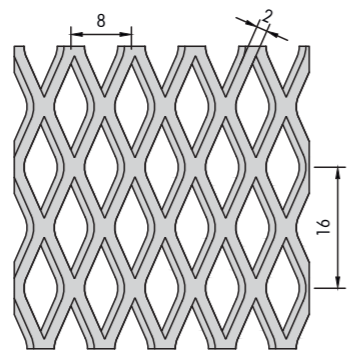
RB15AL

R10x5.8-1.5x1.5
45% open area
MESH thickness (X) = 2.5 mm
Aluminium gauge (Y) = 1.5 mm
MESH weight = 2.0 kg/m²



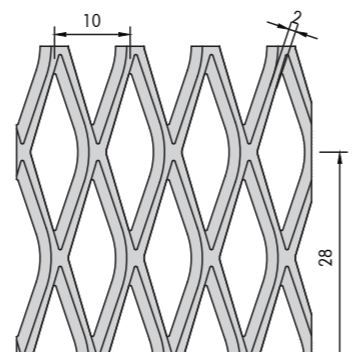
RB25AL

R16x8-2x1.5
47% open area
MESH thickness (X) = 3.0 mm
Aluminium gauge (Y) = 1.5 mm
MESH weight = 2.0 kg/m²



RB35AL

R28x10-2x2
55% open area
MESH thickness (X) = 3.5 mm
Aluminium gauge (Y) = 2.0 mm
MESH weight = 2.15 kg/m²



	Standard Patterns				Vario Design Patterns					Vario Design Patterns					
	Galvanised Steel				Galvanised Steel					Aluminium					
	KD100	RB25	RB35	RB55	KD200	TAU30	RB35XL	RB55XL	E45	RB15AL	RB25AL	RB35AL	RB55AL	E45AL	
MESH thickness (X) [mm]	1,5	3,0	3,5	4,0	1,5	2,0	3,5	4,5	4,0	2,5	3,0	3,5	6,0	7,0	
Material gauge (Y) [mm]	1,0	1,0	1,5	1,5	1,0	1,0	1,5	1,5	1,5	1,5	1,5	2,0	2,0	1,5	
Open area [%]	35	50	58	62	54	55	71	79	68	45	47	55	55	33	
MESH	Panel length (A) [mm]	min.	597	597	597	597	597	597	597	597	597	597	597	597	597
		max.	1500	2500	2500	2500	1500	1500	2500	2500	2500	1500	1800	2000	2500
MESH	Panel width (B) [mm]	min.	247	247	247	247	247	247	247	247	247	247	247	247	247
		max.	500	700	700	700	500	500	700	700	700	500	600	600	600
MESH MT	Panel length (A) [mm]	min.	-	597	597	597	-	-	597	-	597	-	-	-	-
		max.	-	2500	2500	2500	-	-	2500	-	2500	-	-	-	-
MESH MT	Panel width (B) [mm]	min.	-	298	247	247	-	-	247	-	247	-	-	-	-
		max.	-	602 *	700	700	-	-	700	-	700	-	-	-	-
MESH Board	(max. 1250 x 625 mm)	■	■	■	■	■	■	■	■	■	■	■	■	■	
MESH MicroLook 8	(600 x 600 mm)	■	■			■	■								
MESH Tegular 8	(600 x 600 mm)	■	■			■	■								
MESH Tegular 14	(625 x 625 mm)	■	■			■	■								
MESH R-L 201		■	■	■	■	■	■	■	■	■	■	■	■	■	
MESH R-L 201 MT		■	■	■	■	■	■	■	■	■	■	■	■	■	
MESH B-L 302		■	■	■	■	■	■	■	■	■	■	■	■	■	
MESH B-L 302 MT		■	■	■	■	■	■	■	■	■	■	■	■	■	
MESH B-H 300		■	■	■	■	■	■	■	■	■	■	■	■	■	
MESH B-H 300 MT		■	■	■	■	■	■	■	■	■	■	■	■	■	
MESH K-H 400		■	■	■	■	■	■	■	■	■	■	■	■	■	
MESH K-H 400 MT		■	■	■	■	■	■	■	■	■	■	■	■	■	
MESH R-Clip	(width (B) max. 600 mm)		■	■	■		■	■	■		■	■	■	■	
MESH R-H 200		■	■	■	■	■	■	■	■	■	■	■	■	■	
MESH R-H 200 MT		■	■	■	■	■	■	■	■	■	■	■	■	■	
MESH R-H 215		■	■	■	■	■	■	■	■	■	■	■	■	■	
MESH R-H 215 MT		■	■	■	■	■	■	■	■	■	■	■	■	■	
MESH Sonic Element MT			■	■	■		■	■	■		■	■	■	■	
MESH Sky Element Hook MT			■	■	■		■	■	■		■	■	■	■	
MESH F-L 601		■	■	■	■	■	■	■	■	■	■	■	■	■	
MESH F-L 601 MT		■	■	■	■	■	■	■	■	■	■	■	■	■	
MESH F-Clip		■	■	■	■	■	■	■	■	■	■	■	■	■	
MESH F-H 600		■	■	■	■	■	■	■	■	■	■	■	■	■	
MESH F-H 600 MT		■	■	■	■	■	■	■	■	■	■	■	■	■	

Definition of Technical Performance Icons



Fire Reaction
Reaction to fire classification in accordance with EN 13501-1 expressed as Euroclass (A1 – F).



Humidity Resistance
Maximum relative humidity conditions for installation and lifetime of ceiling.



Weight
Weight per unit area of the product (kg/m²)



Colours
Colours available for products with this icon.



Scratch Resistance
Solutions with this icon offer a superior level of surface scratch resistance.



Indoor Air Quality
Knauf Ceiling Solutions are designed to limit the number of airborne particles in a clean room environment are tested against ISO 14644-1 and classified with an ISO class.



VOC
The VOC emission performance in accordance with the French labelling requirements.



Recycled Content
The recycled content of the product, as calculated in accordance with ISO 14021.



EPD (Environmental Product Declaration)
Independently verified and registered documents that communicate transparent and comparable information about the life-cycle environmental impact of products. Knauf Ceiling Solutions EPDs have been third party certified by IBU (Institut Bauen und Umwelt e.V. (IBU) as conforming to the requirements of ISO 14025.



Cradle To Cradle CERTIFIED®
Products with this icon are Cradle-to-Cradle CERTIFIED®, providing a transparent mechanism to compare the sustainability performance of products, showing that they are designed for recycling and helping to protect and to sustain our environment for future generations by keeping resources in the economy for a longer period of time.



Indoor Air Comfort Gold
Higher level "Indoor Air Comfort GOLD - Certified Product" shows additional compliance of product emissions with the criteria of many of the voluntary specifications issued by most relevant ecolabels and similar specifications in the EU an requirements for sustainable building certifications. Certified products are those with the best-in-class low emissions, thus good for indoor air quality.



ISO 9001
This icon demonstrates Knauf Ceiling Solutions ability to consistently provide products and services that meet customer and regulatory quality management system requirements (ISO 9001).

Cleaning

The frequency and cleaning method of a ceiling varies from one application to another. All products can at least be cleaned with a dry cloth or vacuum cleaner.



Dry Cleaning
For standard cleaning of dust, loose dirt or deposit, a soft brush, a clean, dry, soft white cloth, a normal vacuum cleaner with a soft brush or focus compressed air can be used.



Moist Cleaning
For more intensive cleaning, the surfaces can be damp cleaned. This should be carried out with a wrung-out soft cloth or sponge. After cleaning, the surfaces of the tile should be dried with a soft cloth.



Wet Cleaning
Wet cleaning should be carried out the lukewarm water (up to 40°C), using a sponge and mild cleaning agent (with a pH value between 7 and 9), and using medium pressure. After cleaning, the surface should be dried with a soft cloth.



CE Marking

In Europe, the Construction Products Regulations (305/2011/EU) defines basic requirements for products (and projects) such that they are safe and fit for their intended use. Harmonized Product Standards respond to these essential requirements and set out what tests must be conducted and how the performance must be communicated. For suspended ceilings the applicable product standard is EN 13964:2014 Suspended Ceilings – Requirements & Test Methods.

The essential requirements identified for suspended ceiling membranes (tiles & panels) include:

- Reaction to Fire (mandatory)
- Formaldehyde Emissions (mandatory)
- Flexural Tensile Strength / Durability

It is mandatory to CE Mark products within the scope of EN 13964 and provide a Declaration of Performance in order to place the product on the market. All Knauf Ceiling Solutions Declarations of Performance can be found on Knauf website.

Build on us.

Knauf Ceilings Holding GmbH

Am Bahnhof 7
97346 Iphofen, Germany
Phone: +49 9323 31-0
E-Mail: zentrale@knauf.com
www.knauf.com

Commercial Register: District Court, Würzburg
Registration No.: HRA 6031
VAT No. pursuant to § 27a of the German VAT Act
(Umsatzsteuergesetz): DE317846056
Board of Directors: Lars Klodwig, Karl Wenig, Daniel Wolf