

USGKnauf Microline 15x35mm Grid

- **Main T - 3600mm**
- **Cross T - 1200mm**
- **Short Cross T - 600mm**
- **Wall Angle - 3000mm**

Description:

Microline 15 mm Grid components have rotary stitches. These are rolled formed on specially designed automatic machines. Below components of Microline 15 mm Grid are an integral part of the Suspended Grid Ceiling System.

Main T (784037): The Main T is placed at 1200mm center & is suspended from Soffit/RCC slab with an adjustable level clip, 4mm Diameter Rod, Soffit Cleat & Anchor Fasteners. Cross Ts are interlocked in Main T to form desired modules of 600mm x 600mm or 600mm x 1200mm.

Cross T 1200mm (784038): The Cross T's are placed at 600mm in perpendicular direction of main T. The Cross T's are placed at 600mm centers between the two main T's. These get interlocked at both the ends with Cross T's which has pre-determined notches. They help to form desired modules of 600mm x 1200mm.

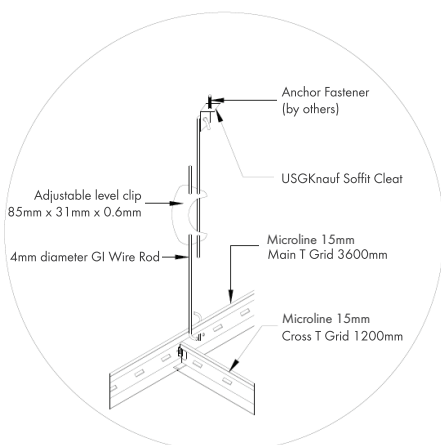
Short Cross T 600mm (784039): The Cross T's are placed at 600mm centers between the Cross T's of 1200mm length. These get interlocked at both the ends with Cross T's which has pre-determined notches. This helps to form desired modules of 600mmx600mm.

Wall Angle (783980): Wall Angle is fixed at the periphery of the brick/block wall/drywall to receive the end of Main T Grid on top. This acts as the supporting frame for the false ceiling at periphery.

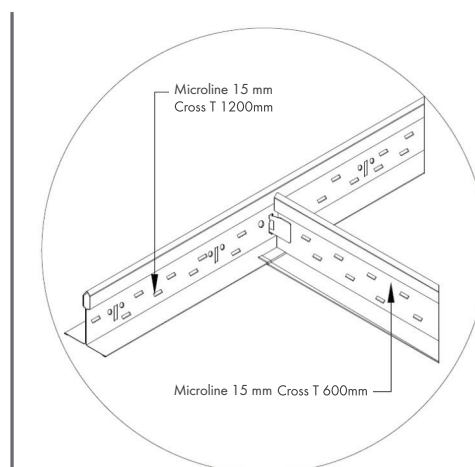
Product properties:

Description	Unit	Microline 15 mm Grid			
		Main T	Cross T (1200)	Cross T (600)	Wall Angle
Web Height / Flange (A)	mm	35 (+/- 0.5)	35 (+/- 0.5)	35 (+/- 0.5)	19 (+/- 0.5)
Flange (B)	mm	15 (+/- 0.5)	15 (+/- 0.5)	15 (+/- 0.5)	19 (+/- 0.5)
Standard length	mm	3600 (+/- 1)	1200 (+/- 1)	600 (+/- 1)	3000 (+/- 1)
Thickness	mm	0.30 (+/- 0.02)	0.30 (+/- 0.02)	0.30 (+/- 0.02)	0.40 (+/- 0.02)
Galvanizing	GSM	90 - 100 GSM (both side inclusive)	90 - 100 GSM (both side inclusive)	90 - 100 GSM (both side inclusive)	90 - 100 GSM (both side inclusive)
Colour	NA	White with Black Reveal	White with Black Reveal	White with Black Reveal	White

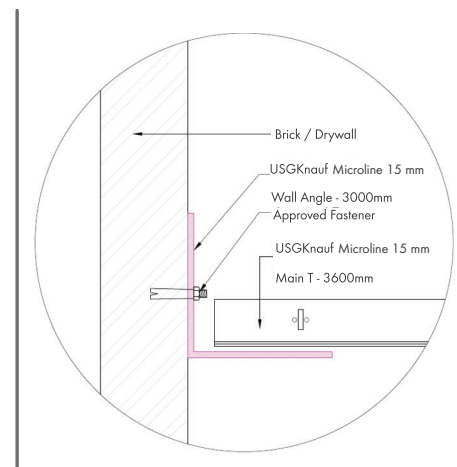
Main T - 3600mm, Cross T - 1200mm



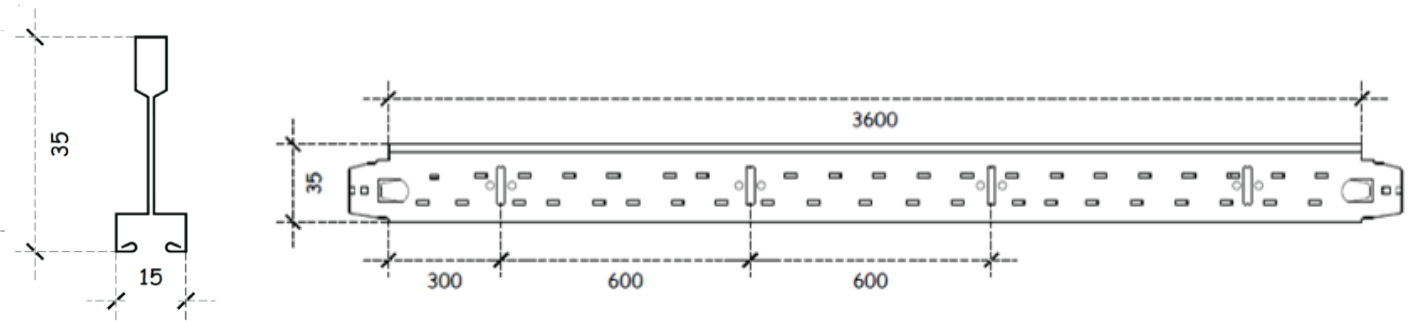
Short Cross T - 600mm



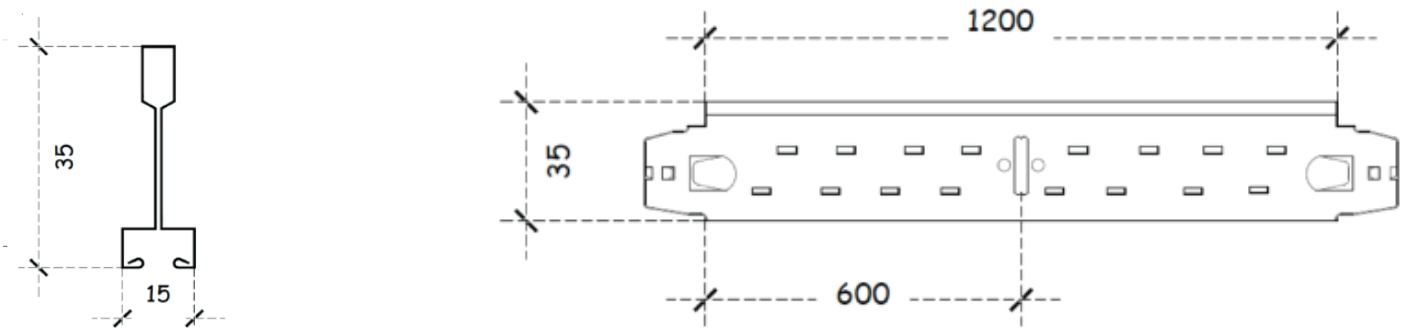
Wall Angle - 3000mm



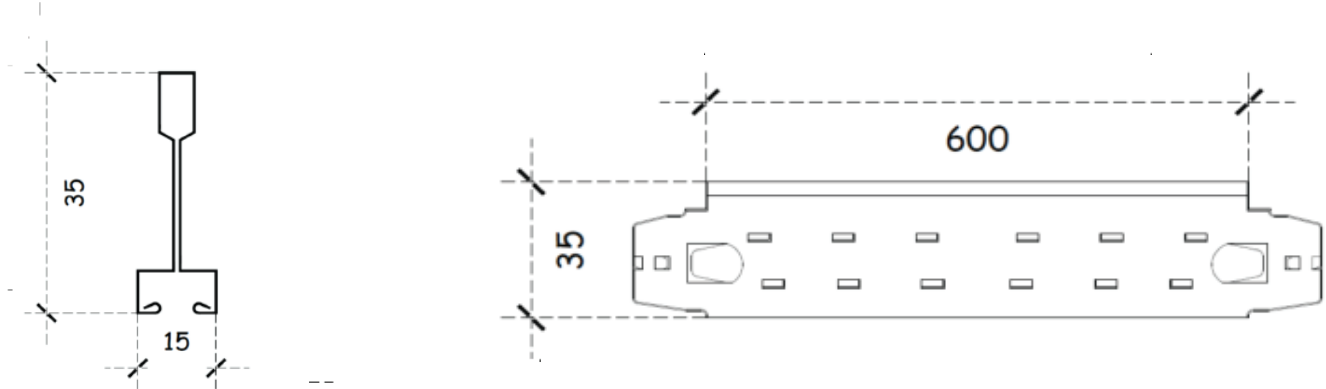
Main T - 3600mm (Drawing):



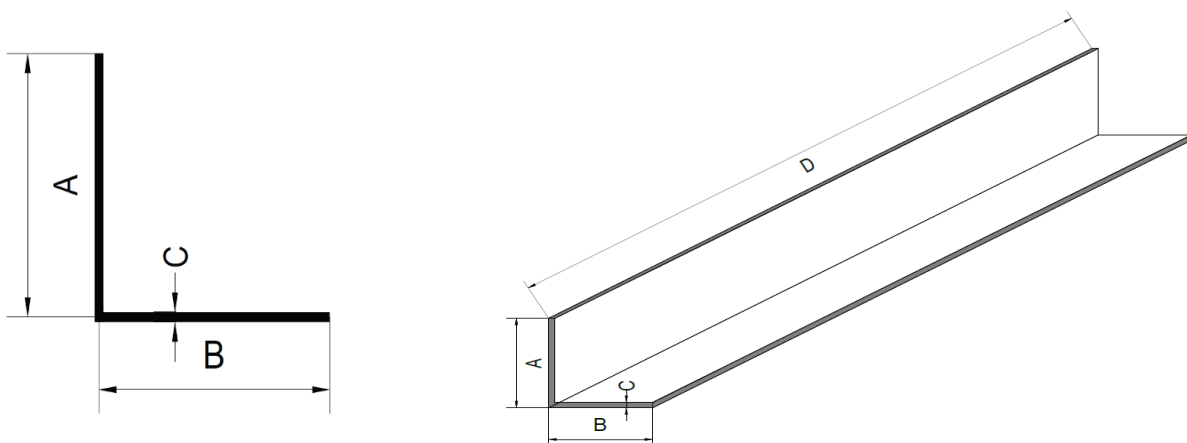
Cross T - 1200mm (Drawing):



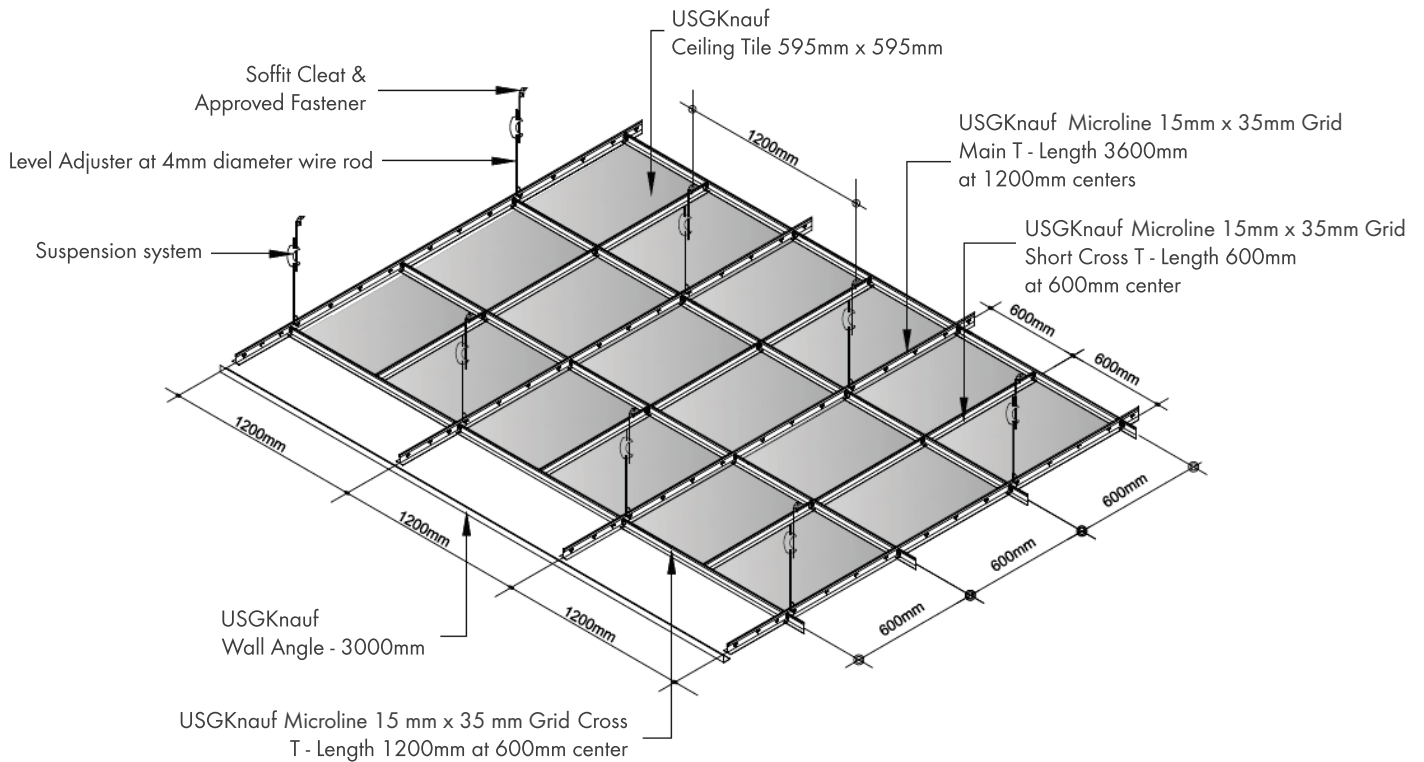
Short Cross T - 600mm (Drawing):



Wall Angle - 3000mm (Drawing):



Microline 15mm Grid framing layout:



Safety:

While handling & cutting of Microline 15mm Grid components, please adhere to the safety guidelines & wear the essential PPE.

Knauf India Private Limited

Head Office: 9th Floor, Plaza Tower, DLF Phase -1, Gurugram - 122002, Haryana, India

Customer Care No: +91 - 9015147147
Email: info.india@knauf.com

www.usgknauf.com