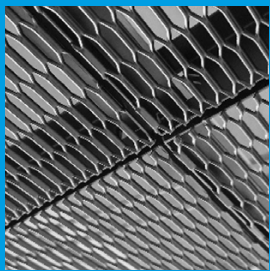


KNAUF

MESH **R-Clip, R-H 200,** **R-H 215** *Concealed Grid System*



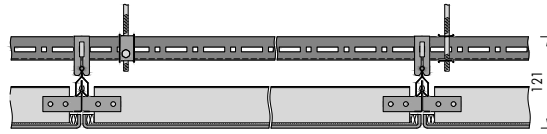
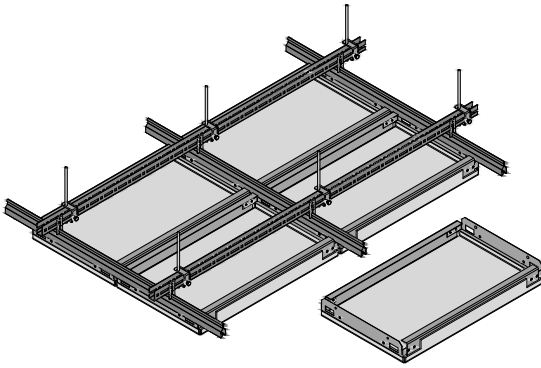
Build on us.



© Studio VU

- Clip-in and hook-on panels provide a versatile and simple design
- Its high open area is perfect for any industrial look inspiration.
- MESH – visible side with 90° upturn on all four edges and welded stiffening profiles inside.
- MESH MT (MicroTack Technology) – flat visible side, without upturn, with welded stiffening profiles on all edges.
- Concealed grid for a monolithic effect.
- Fully configurable large size panels and cost effective square tile alternatives available.
- Additional design options available as part of our Vario Design range.
- Used in a variety of ceiling areas: from small service rooms to large commercial office buildings and major transportation terminals.

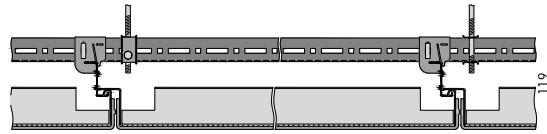
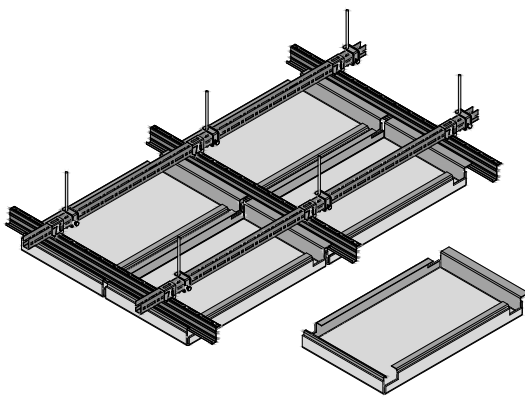
MESH R-Clip



Panels
Material post-coated galvanised steel (Y) 1.0 / 1.5 mm
Edge detail square edged clip-in, with ≈3 mm open gap on long and short edge
Dimensions length (A) 600 – 2500 $\frac{1}{4}$ mm | width (B) 247 – 600 $\frac{1}{4}$ mm
Panel size max. 1.5 m²

Suspension system
Standard U-Profile + DP12 A-Bar
Optional various, on request
Features security clip, staggered layout

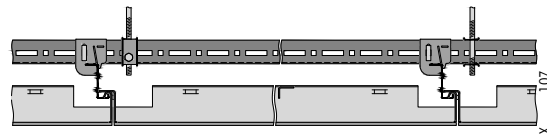
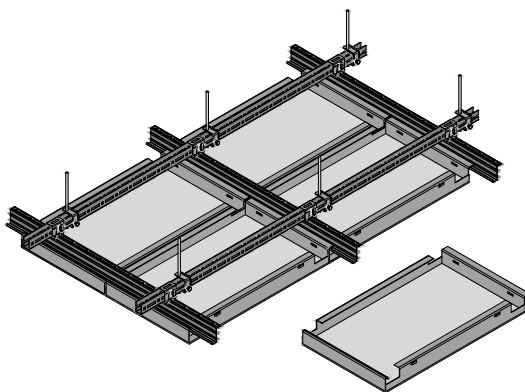
MESH R-H 200



Panels
Material post-coated galvanised steel (Y) 1.0 / 1.5 mm
Edge detail square edged hook-on, with ≈3 mm open gap on long and short edge
Dimensions length (A) 597 – 2500 $\frac{1}{4}$ mm | width (B) 247 – 700 $\frac{1}{4}$ mm
Panel size max. 1.75 m²

Suspension system
Standard U-Profile + J-Bar
Optional various, on request
Features security bracket, perimeter panels, long side suspended panels for staggered layouts, bespoke and radial layout with trapezoidal panels

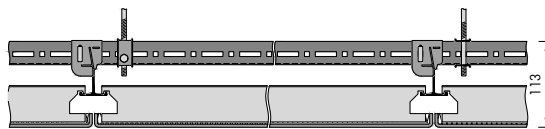
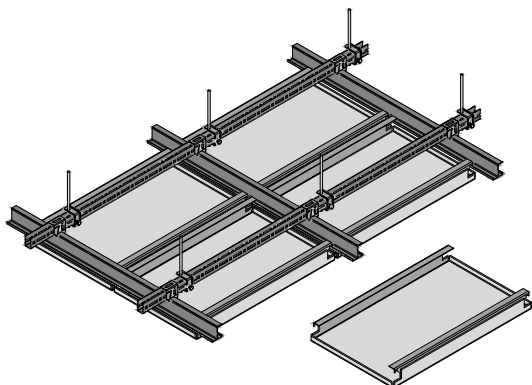
MESH R-H 200 MT



Panels
Material post-coated galvanised steel (Y) 1.0 / 1.5 mm
Edge detail square edged hook-on, with ≈3 mm open gap and spacers on long and short edge
Dimensions length (A) 597 – 2500 $\frac{1}{4}$ mm (with additional stiffener for panel length >2000 mm) | width (B) RB25: 298 – 602 $\frac{1}{3}$ mm in steps of 8 mm, RB35 / RB55: 247 – 700 $\frac{1}{4}$ mm
Panel Size max. 1.75 m²

Suspension system
Standard U-Profile + J-Bar
Optional various, on request
Features security bracket, megapanel up to ≈1200 x 1200 mm, perimeter panels, long side suspended panels for staggered layouts, bespoke and radial layout with trapezoidal panels

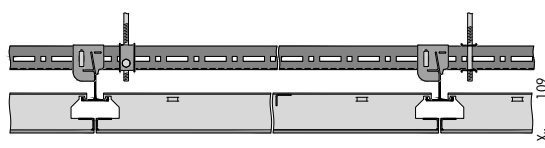
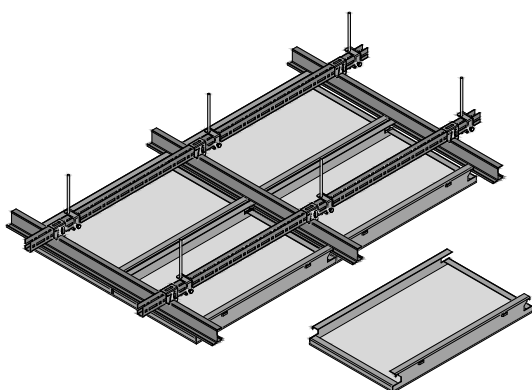
MESH R-H 215



Panels
Material post-coated galvanised steel (Y) 1.0 / 1.5 mm
Edge detail square edged hook-on, with ≈3 mm open gap on long and short edge
Dimensions length (A) 597 – 2500 $\frac{1}{4}$ mm | width (B) 247 – 700 $\frac{1}{4}$ mm
Panel size max. 1.75 m²

Suspension system
Standard U-Profile + H-Profile 35
Features perimeter panels

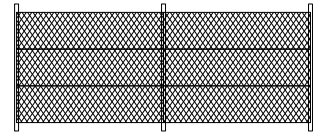
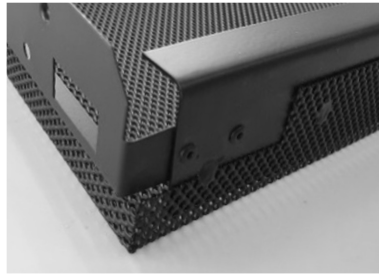
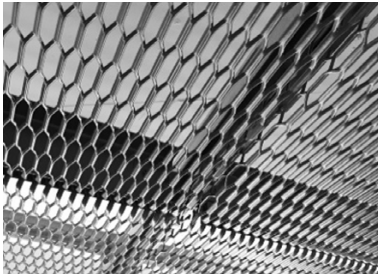
MESH R-H 215 MT



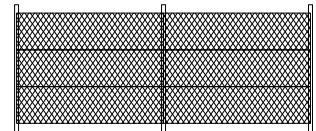
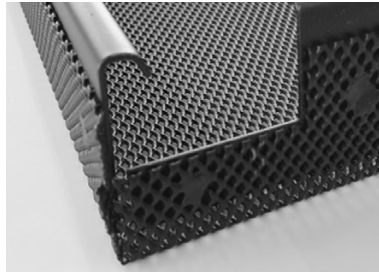
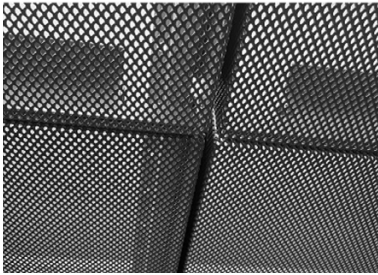
Panels
Material post-coated galvanised steel (Y) 1.0 / 1.5 mm
Edge detail square edged hook-on, with ≈3 mm open gap and spacers on long and short edge
Dimensions length (A) 597 – 2500 $\frac{1}{4}$ mm (with additional stiffener for panel length >2000 mm) | width (B) RB25: 298 – 602 $\frac{1}{3}$ mm in steps of 8 mm, RB35 / RB55: 247 – 700 $\frac{1}{4}$ mm
Panel size max. 1.75 m²

Suspension system
Standard U-Profile + H-Profile 35
Features perimeter panels

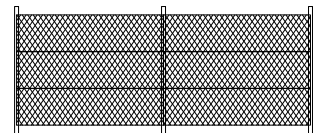
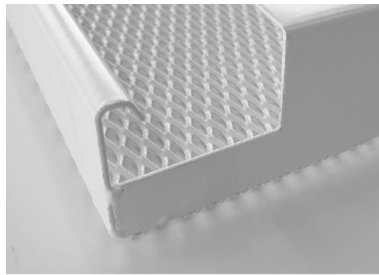
MESH R-Clip



MESH R-H 200



MESH R-H 200 MT



Security clip / bracket options

For MESH R-Clip

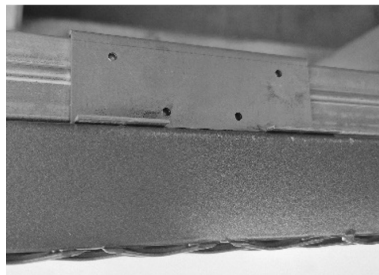


With both solutions it is possible to extract a panel from the fully installed ceiling. An extraction tool is required for this.

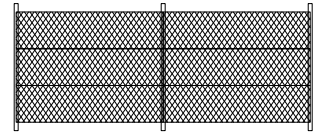
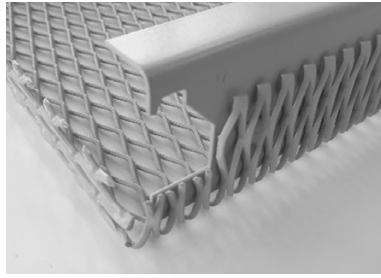
For MESH R-H 200



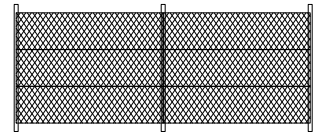
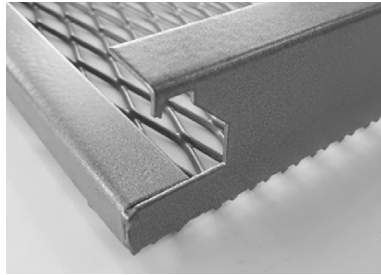
For MESH R-H 200 MT



MESH R-H 215



MESH R-H 215 MT



	Standard Patterns				Vario Design Options (on request)							Features	
	KD100	RB25	RB35	RB55	Dimensions	Shapes	Post-coated aluminium	Patterns	RAL colours	Cut-outs	Grid alternatives	Secure function	Hinge-down function
MESH R-Clip		■	■	■	■	■		■	■	■	■	■	
MESH R-H 200	■	■	■	■	■	■	■	■	■	■	■	■	
MESH R-H 200 MT		■	■	■	■	■		■	■	■	■	■	
MESH R-H 215	■	■	■	■	■	■	■	■	■	■			
MESH R-H 215 MT		■	■	■	■	■		■	■	■			

Characteristic	Detailed information	
Colour / Patterns	 RAL 9010 RAL 9006 RAL 9007 RAL 9005 further RAL & NCS colours on request	 KD100* Q6 x 4.5 - 1.2 x 1 35% open area (X) = 1.5 mm (Y) = 1.0 mm RB25 R16 x 8 - 2 x 1 50% open area (X) = 3.0 mm (Y) = 1.0 mm RB35 R28 x 10 - 2 x 1.5 58% open area (X) = 3.5 mm (Y) = 1.5 mm RB55 R43 x 13 - 2.5 x 1.5 62% open area (X) = 4.0 mm (Y) = 1.5 mm further patterns on request * not available for MESH MT solutions and MESH R-Clip
Weight	 8.5 - 10.5 kg/m²	
Fire reaction	 Euroclass A2-s1, d0 as per EN 13501-1	
Humidity resistance	 90% RH	
Indoor air quality	 A+ IAC Gold	
Sustainability	EN ISO 14021 17.3% (2023) EPD EN 15804 cradle to cradle SILVER	
Cleanability		