

Knauf – One of worldwide market leaders in providing customers with light-weight material solution

Knauf Group, a German-based global company operating across 90 countries worldwide, acquired Sheetrock as part of its acquisition of USG in 2018. The synergies from this acquisition increases Knauf’s capability to provide products and systems for light-weight building material that are environment-friendly, energy-efficient, and fairly-priced to help customers work and build better.”

Knauf – One of leading German brands for builders to Build a Better Living Space.



ULTRA MOISTSHIELD

Premium Moisture-Resistant Gypsum Board

EPD Verified Product

Build on us.

KNAUF VIETNAM CO., LTD.

HO CHI MINH OFFICE:
7th Floor, Harbour View Tower,
35 Nguyen Hue Street, Sai Gon Ward,
Ho Chi Minh City, Vietnam.

HO CHI MINH Plant:
Lot B3a, Hiep Phuoc Industrial Zone,
Hiep Phuoc Commune,
Ho Chi Minh City, Vietnam.

HANOI OFFICE:
Office Area – No. 29 Lieu Giai
Street, Ngoc Ha Ward,
Ha Noi City, Vietnam.

HAI PHONG Plant:
Land Plot CN4.4A, Dinh Vu IP, Dinh Vu Cat
Hai Economic Zone, Dong Hai Ward,
Hai Phong City, Vietnam.

Tel: +84 28 3915 1400
Fax: +84 28 3915 1405

Tel: +84 28 3781 8439
Fax: +84 28 3781 8440

Tel: +84 24 3791 8412
Fax: +84 24 3791 8413

Tel: +84 225 883 0660
Fax: +84 225 883 0686

[knauf.com/vi-vn](https://www.knauf.com/vi-vn) | info-vn@knauf.com | <https://www.facebook.com/knaufvietnam>

Remarks: Information provided is for reference purpose only. Products, specifications and requirements may vary according to geographical locations and applications. As each project is unique, please contact your nearest Knauf representative for further product, solution and technical supports.

This document is owned by Knauf Vietnam Co., Ltd. Last update: 04/2026

KNAUF

KNAUF

Ultra MoistShield

Sustainable, low-emission materials

Ultra MoistShield

Ultra MoistShield plasterboard is designed and manufactured using advanced technology, providing enhanced moisture resistance and mold resistance performance. It is suitable for interior ceiling systems in high-humidity and wet areas in both commercial and residential buildings.

Advantages

- Create a safe and sustainable living environment with moisture and mold resistance performance.
- Eco-friendly material for sustainable buildings.
- Lightweight material for easy handle and installation.
- German brand, built for lasting durability.

Full system from Knauf

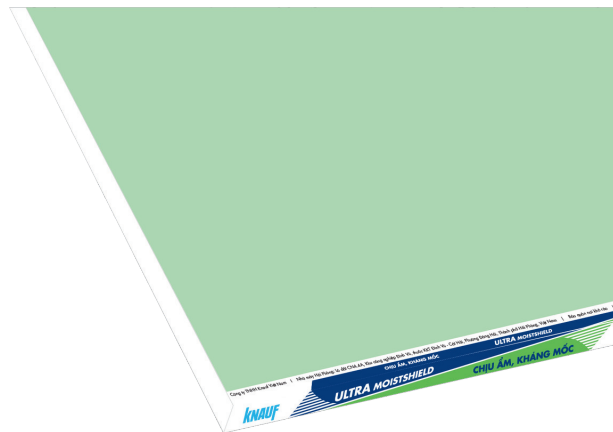
Ultra MoistShield should be installed in full system with Knauf's ceiling Metal Profiles or System which are under Knauf's approval in order to achieve highest performance.

Product Specification

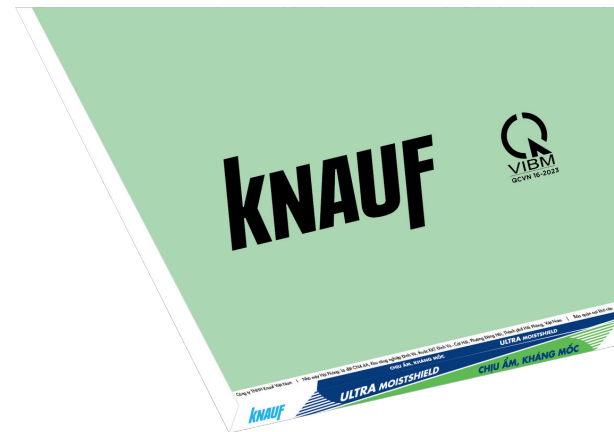
Thickness (mm)	Width (mm)	Length (mm)	Edges
9	1220	2440	Squared

Values in above table are nominal and tolerance in compliance with the standard required.
Other edges and sizes are made to order.

Front side



Back side



KNAUF ULTRA MOISTSHIELD

The actual product color can be seen on the attached sample board.



Compliance

- QCVN 16:2023/BXD
- TCVN 8256 (*)
- ASTM C1396 (*)



(*) Made to order

Storage & Installation

Stored and installed in dry, non-wet conditions (not under the impact of rain, seepage and poor ventilation in prolonged high humidity condition).

TRUSTED SOLUTIONS FROM GERMANY

WARRANTY 5 YEARS ★★★★★



German Brand



Full system solution

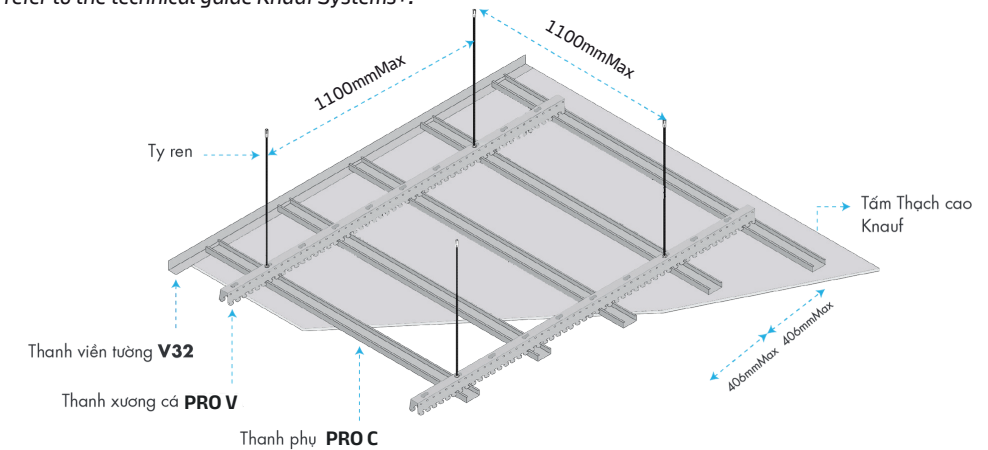


Moisture and mold resistance

Knauf Concealed Ceiling System

Concealed System	Thickness (mm)	Layer of Board	Max main runners span - center to center (mm)	Max cross runners span - center to center (mm)
Ultra	9	1	1200	406
Pro	9	1	1100	406
Xtra	9	1	1000	406

Values in above tables are nominal and for indicative purposes only
The span should be calculated depending upon actual installed conditions
Further details, please refer to the technical guide Knauf Systems+.



Sustainability

Ultra MoistShield contributes to achieve the Sustainability certification at building projects:

LEED v4

- EA : Optimize Energy Performance
- MR : Building Life Cycled Impact Reduction
- MR : BPDO - Environmental Product Declaration (EPD)
- MR : BPDO - Sourcing of Raw material
- MR : BPDO - Material Ingredients (HPD)
- EQ : Low-Emitting materials (VOC report)

Scan to get the documents

