

#### Note on English translation / Hinweise zur englischen Fassung

This is a translation of the product data sheet valid in Germany.

All stated details and properties are in compliance with the regulations of the German standards and building regulations. They are only applicable for the specified products, system components, application rules, and construction details in connection with the specifications of the respective certificates and approvals.

Knauf Gips KG denies any liability for applications outside of Germany as this requires changes acc. to the respective national standards and building regulations.

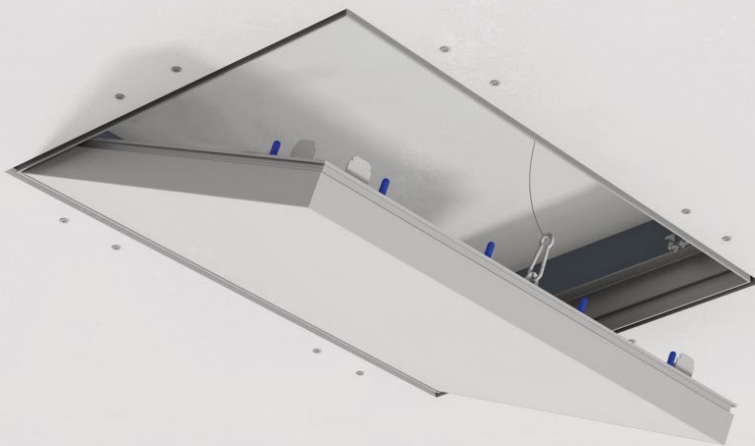


Drywall Systems

E219.de

Product Data Sheet

2019-10



## SYSTEM K219 BS90

Access Panel for Free-Spanning Fireboard Ceiling

#### Product description

SYSTEM K219 BS90 is an access panel consisting of:

- Anodised aluminium outer frame
- Openable and fully detachable hatch
- Flush screw fastened Fireboard ex-works (special gypsum board A1)
- Seal

#### Properties and added value

- Can be used for cladding thickness 20 and 40 mm

#### Field of application

Installation in Knauf free-spanning Fireboard ceilings K219.de with one and a half hour (90 minute) fire resistance (F90 solely from below or from below and from above) with cladding thicknesses 20 and 40 mm.



## System variants

Fire resistance class		System		Cladding (parallel cladding)		Furring channel	Insulation layer Required for fire resistance	
For fire exposure From below	From above	K219.de Free-spanning Fireboard ceiling A1 - F90 solely from below	K219.de Free-spanning Fireboard ceiling A1 - F90 solely from below and from above	Fireboard	Minimum thickness mm	Maximum axial spacings mm	Minimum thickness mm	Minimum density kg/m <sup>3</sup>
F90	-	plus		•	2x 20	625	Without or Mineral wool <b>G</b> plus	
F90	F90		plus	•	20 + 20 Additional board layer (cover board)	625	Mineral wool <b>S</b> 60	50

**G** Mineral wool insulation layer acc. to EN 13162, non-combustible (insulating material, e.g. from Knauf Insulation)

**S** Mineral wool insulation layer acc. to EN 13162, non-combustible, melting point  $\geq 1000$  °C acc. to DIN 4102-17 (insulating materials e.g. from Knauf Insulation)

## Certificate of Usability

## Fire resistance proof

■ AbP P-3085/3824-MPA BS

The specifications marked with **plus** offer additional application options, which are not directly included in the Certificate of Usability. On the basis of our technical assessments, we assume that these marked design solutions can be assessed as a non-significant divergence. On request, we can make the documentation on which this assessment is based, such as experts opinions or technical assessments, available to you together with the Certificate of Usability. We recommend that a non-significant divergence be coordinated and authorised in advance in consultation between the persons responsible for fire resistance and/or the relevant authorities.

## Installation

The access panel opening must always be arranged between the free-spanning profiles of the suspended ceiling.

## UW runner frame

Arrange UW runner frame in accordance with the dimension of the access panel. Attach circumferential Fireboard board strips to the UW runner frame. See the design details and the scheme drawings on the following pages.

## Cladding general

Create an opening in the lower side cladding approx. 20 mm larger than the access panel size.

Screw fasten the ceiling cladding to the UW runners also.

## F90 – solely from below

Cut the covering made of 20 mm Fireboard to a format L x W with respective dimension +  $\geq 197$  mm and fasten two board strips of GKF 12.5 mm in the longitudinal direction to secure the precise fit on the cover with gypsum boards. Loosely place the covering over the opening. The covering must lie on top of the profiles by at least 50 mm on all sides.

## F90 – solely from below and from above

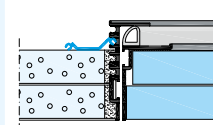
Cut out the upper side covering board of the free-spanning ceiling in the area of the access panel in the format L x W dimension +  $\geq 197$  mm. Use the cut-out board section as a covering on the upper side of the access panel opening. Loosely place a covering made of 20 mm Fireboard over the opening. The covering must lie on top of the profiles by at least 50 mm on all sides. Lay the enclosed Fireboard strips at entire perimeter of the lower side cladding.

## Installation of the access panel

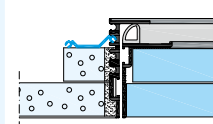
Install the supplied tab parts corresponding to the cladding thickness of the Knauf systems on the outer frame.

## Cladding

2x 20 mm Fireboard  
(F90 from below)



20 mm Fireboard  
(F90 from below and from above)



At least:

- 1 metal tab per panel side or alt. 2 metal tabs per lock/hinge side with dimensions  $\leq 416 \times 636$  mm

Place outer frame of the access panel in the opening, lay it on the cladding or on the placed Fireboard strips with the tabs, align and attach with screws.

Use Drywall Screws TB 3.5 x 55 (two screws per metal tab) for the attachment of the frame to the cladding.

Subsequently insert the hatch and check the lock for proper functioning.

## Jointing

Fill outer frame of access panel and the ceiling surface with Fireboard-Spachtel filler. For surface qualities from Q2, skim scrape the panel using Fireboard-Spachtel filler. Clean outer frame, hatch, and in particular the seal thoroughly after filling.

## Notes

With rectangular ceiling access panels, the lock and hinge system is always mounted as standard on the long side.

No cladding board joints are allowed near the access panels.

Observe the installation instructions enclosed with the product.

Construct the ceiling systems in accordance with the most current Knauf system data sheets.

### Coatings and linings

Surface treatment of the access panels with gypsum board inlays in acc. with the Knauf system data sheet D13.de.

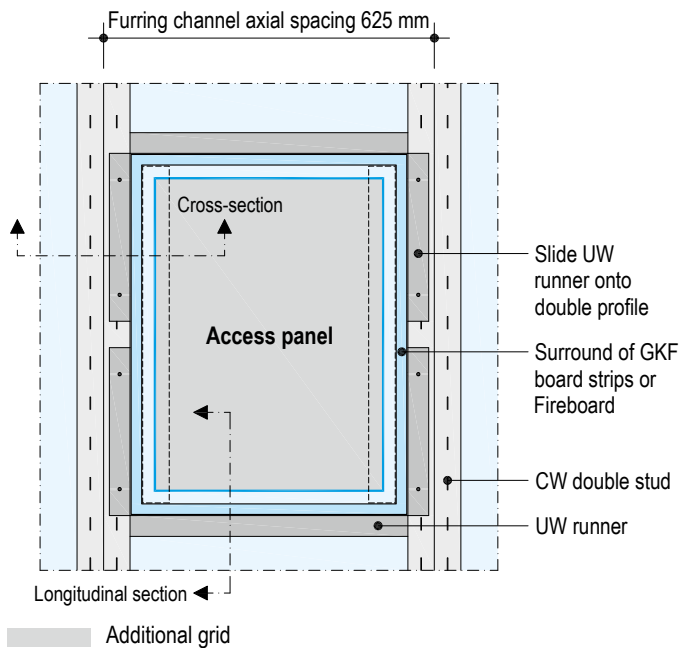
#### Notes for the painter

Generally remove the access panel hatch before painting separately so that no paint penetrates the narrow joint between the hatch and the outer frame. Clean any paint remnants from the frame.

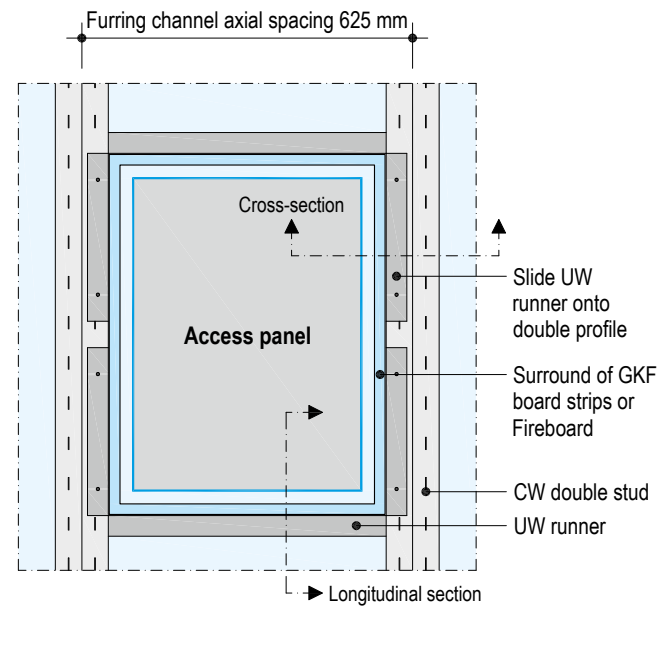
### Examples, scheme drawings

#### Installation in Knauf free-spanning ceilings K219.de

Fire protection solely from below



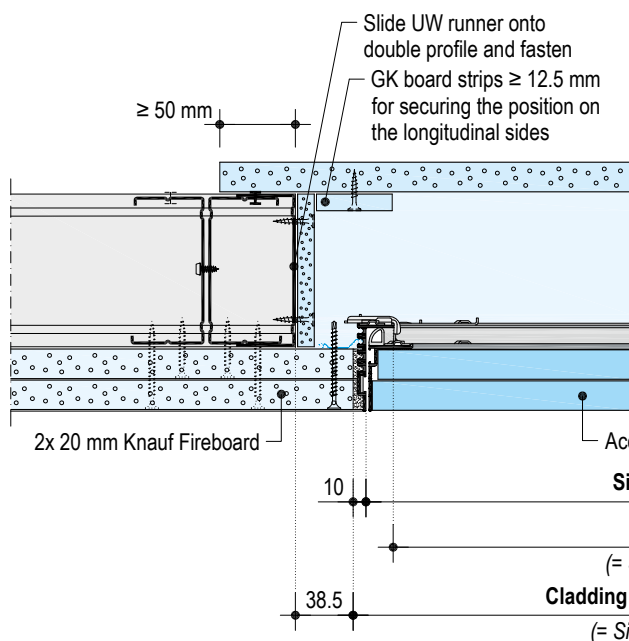
Fire resistance solely from below and from above



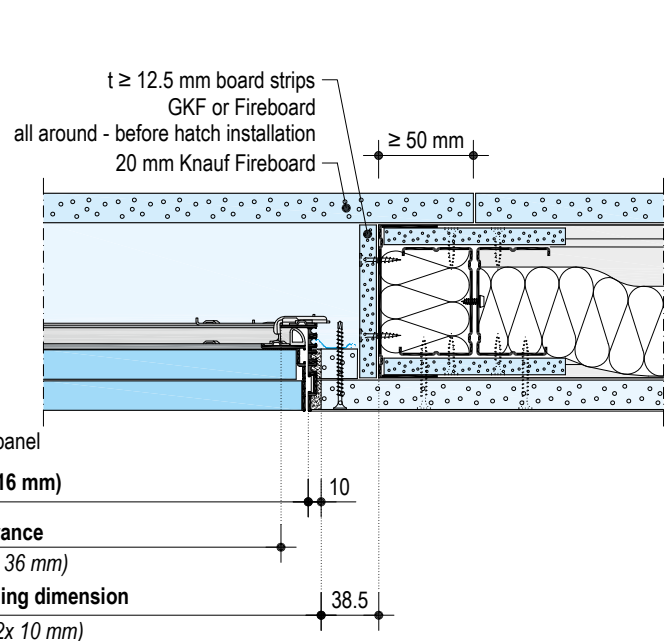
### Construction details

Scale 1:5 | Dimensions in mm

**plus** K219.de-V1 SYSTEM K219 BS90 solely from below – vertical section lateral



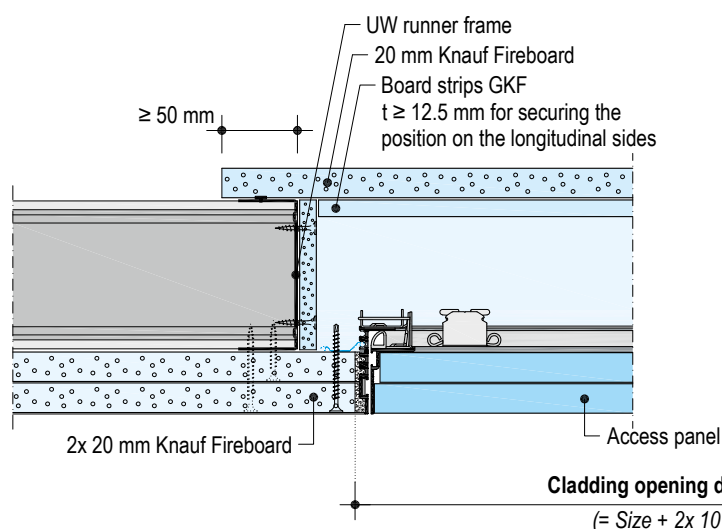
**plus** K219.de-V2 SYSTEM K219 BS90 solely from below and from above – vertical section lateral



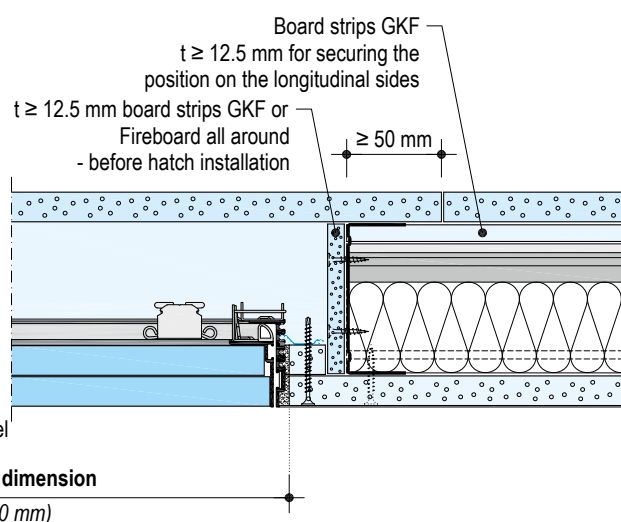
## Design details (continued)

Scale 1:5 | Dimensions in mm

**plus** K219.de-V3 SYSTEM K219 BS90 solely from below – vertical section longitudinal



**plus** K219.de-V4 SYSTEM K219 BS90 solely from below and from above – vertical section longitudinal



## Product range

Description	Width x length mm	Weight kg/piece	Packaging unit	Material number	EAN
System K219 BS90	416 x 636	25.0	1 piece / pack	00582000	4003982408143
	Customized	–		00582005	4003982408174

## Required specifications for ordering

- Dimension of the access panel (width x length)
- Additional options / special designs

## Additional options / special designs

- Intermediate dimensions at least 300 x 300 mm, maximum 416 x 636 mm
- Airtight and dust-proof access panel (EN 1026 + 12207 class 4, suction and pressure)
- Smoke-proof (DIN 18095-2)
- Four-square bolt
- Round cylinder lock



Videos for Knauf systems and products can be found under the following link:

[www.youtube.com/knauf](http://www.youtube.com/knauf)



The iPad App Knauf Infothek now provides all the current information and documents from Knauf Gips KG at any time and in every location in a clear and comfortable way.

[Knauf Infothek](#)

## Knauf Direct

Technical Advisory Service:

[knauf-direkt@knauf.de](mailto:knauf-direkt@knauf.de)

[www.knauf.de](http://www.knauf.de)

**Knauf Gips KG** Am Bahnhof 7, 97346 Iphofen, Germany

All technical changes reserved. Only the current printed instructions are valid. The stated information represents current state-of-the-art Knauf technology. The entire state of approved engineering rules, appropriate standards, guidelines, and rules of craftsmanship are not included herewith. These and all application instructions have to be adhered to separately by the installer. Our warranty is expressly limited to our products in flawless condition. All application quantities and delivery amounts are based on empirical data that are not easily transferable to other deviating areas.

All rights reserved. All amendments, reprints and photocopies, including those of excerpts, require our expressed permission.