

Exposed 24 mm grid system for high humidity environments - System C

Key features

- Increased corrosion protection as per EN 13964, Class D for ceiling installations in swimming pools
- For applications with continued high humidity (> 95% RH); Corrosion protected accessories available
- Patented golden "Quick-Release™ Clip" for high quality grid system installation
- Joggled Cross Tees override the Main Runners; preventing twisting of the Cross Tees

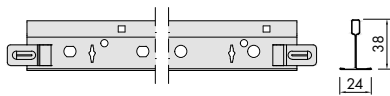
Application areas

- High humidity areas

Physical data

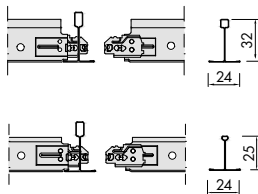
- Material: galvanised steel with additional protective paint
- Surface finish: baked polyester paint
- Colour: all products standard in DONN® White

■ DONN® DX24 KB | Main Runners (bulb-to-bulb connection)



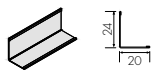
Item reference	Dimensions (mm)				Content/carton		Weight/carton kg	Cartons/pallet
	Length	Width	Height	Slot centres	pcs	lm		
DX24XH375KB	3750	24	38	156.25	20	75.00	26.80	30
DX24XH370KB	3700	24	38	100	20	74.00	26.30	30

■ DONN® DX24 KB | Cross Tees (stab system - joggled GK)



Cross Tees - Slotted								
DX24XM125KB	1250	24	32	312.5	60	75.00	26.30	75
DX24XM120KB	1200	24	32	300	60	72.00	25.30	75
DX24XS62,5KB	625	24	25	312.5	60	37.50	12.80	150
DX24XS60KB	600	24	25	300	60	36.00	12.30	150

■ DONN® DX24 KB | Perimeter Trims white



MIE2024KB	3000	20	24	-	40	120.00	26.10	60
-----------	------	----	----	---	----	--------	-------	----

Section Drawings

■ DONN® DX24 KB | Main Runners (bulb-to-bulb connection)

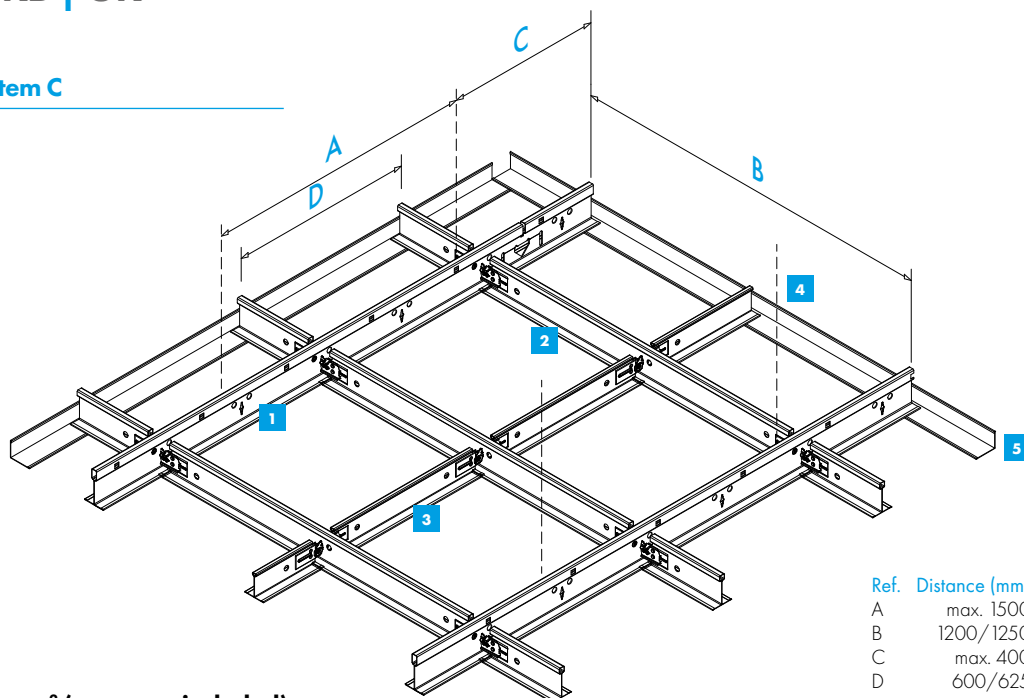
Length	78.125	156.25	21 x 156.25	156.25	78.125
3750					
3700	50	100	34 x 100	100	50

■ DONN® DX24 KB | Cross Tees (stab system - joggled GK)

Length	312.5	2 x 312.5	312.5
1250			
1200	300	2 x 300	300

Length	312.5	312.5
625		
600	300	300

System Drawing - System C



Ref.	Distance (mm)
A	max. 1500
B	1200/1250
C	max. 400
D	600/625

■ **Material required per m² (no waste included)**

No.	Description	Item reference	Module 600 x 600	Module 625 x 625	Module 1200 x 600	Module 1250 x 625
1	Main Runner	DX24XH370KB DX24XH375KB	0.84 lm	– 0.80 lm	0.84 lm	– 0.80 lm
2	Long Cross Tee	DX24XM120KB DX24XM125KB	1.67 lm	– 1.60 lm	1.67 lm	– 1.60 lm
3	Short Cross Tee	DX24XS60KB DX24XS62,5KB	0.84 lm	– 0.80 lm	–	–
4	Hanger	–	0.70 pcs	0.64 pcs	0.70 pcs	0.64 pcs
	Retaining Clip	–	5.56 pcs	5.56 pcs	5.56 pcs	5.56 pcs
	Tiles	–	2.78 pcs	2.56 pcs	1.39 pcs	1.28 pcs
5	Perimeter Trim		Dependent on room dimensions (approx. 0.6 lm/m ²)			

■ **Load Table | Maximum permissible weight (kg/m²)**

Main Runner distances Hanger distance A (mm)	1200 mm	1250 mm	600 mm	625 mm
	Module 600x600, 1200x600	Module 625x625, 1250x625	Module 600x600, 1200x600	Module 625x625, 1250x625
800	13.9	12.1	25.0	25.0
1000	11.5	10.3	25.0	25.0
1200	8.2	7.6	18.7	17.7
1500	4.7	4.5	10.2	9.7

Note:
The load per m² must be evenly distributed (no extra point loads).
After loading, the deflection will remain within the permitted deflection according to class 1 (L/500) of EN 13964, provided the grid is laid out as shown.

For other grid layouts, load capacities or hanger distances, please contact Knauf Ceiling Solutions.

Fire reaction	Euroclass A1 as per EN 13501-1	RUS KMO (NG) / KM1 (G1, V1, D1, T1) as per 123-FZ
Indoor air quality	A+ ISO 3	
Cleanability		
Sustainability	25%	
Design options		

All measurements in millimetres. All sizes are nominal.
Cross Tee alignment is achieved by locating the tees to the left-hand side of the adjoining section.

Products may vary from country to country. Please contact your local sales representative.
For further information and legal notice, please visit our website.
knaufceilingssolutions.com