

Qualified personnel

The respective tasks for the product described in these instructions may only be performed by suitably qualified personnel. The safety and warning instructions must be observed and followed. Qualified personnel are those who, based on their training and experience, are capable of identifying risks and avoiding potential hazards when working with this product.

Intended use

Caution	The product may only be used for the application cases as stated in the Knauf documentation. In case third-party products or components are used, they must be recommended or approved by Knauf. Flawless application of products assumes proper transport, storage, assembly, installation and maintenance.
----------------	--

Note	Front clearance = dimension + 1 = clearance + 36 mm
-------------	--

1) Creating the hatch

Tiles

Dimensions (w x h): _____ x _____ mm

Tile thickness: _____ mm

Joint width: _____ mm

Adhesive thickness: _____ mm

Front clearance

Dimensions (w x h): _____ x _____ mm

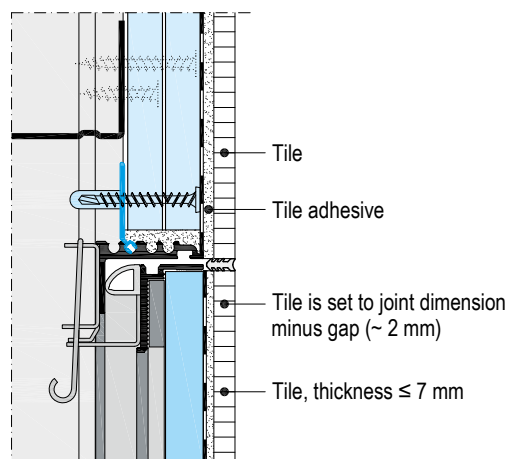
Cladding thickness: _____ mm

Order number: _____

The opening dimension to be created for the different tile dimensions must be adapted to the tiling pattern. The wall cut-out specified by the dimensions below must be clearly marked and cut out precisely using a utility saw (see the relevant installation instructions).

2) Outer frame insertion

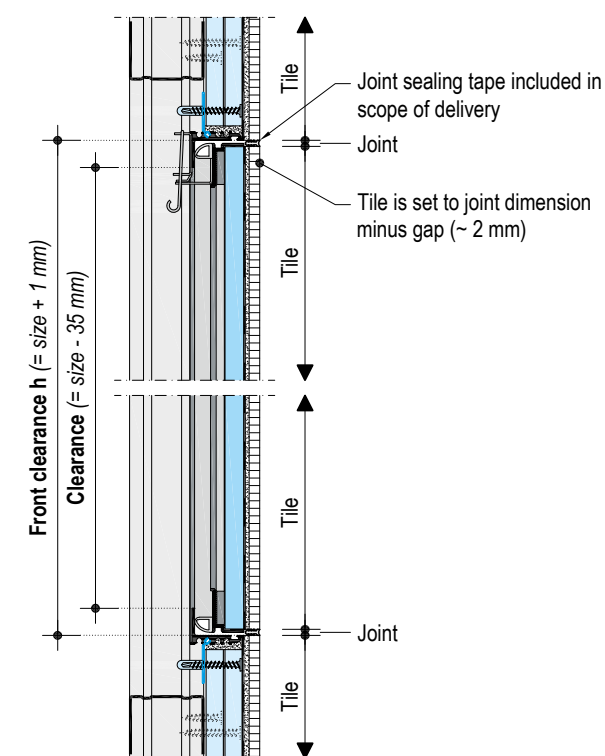
Scheme drawings | Not to scale



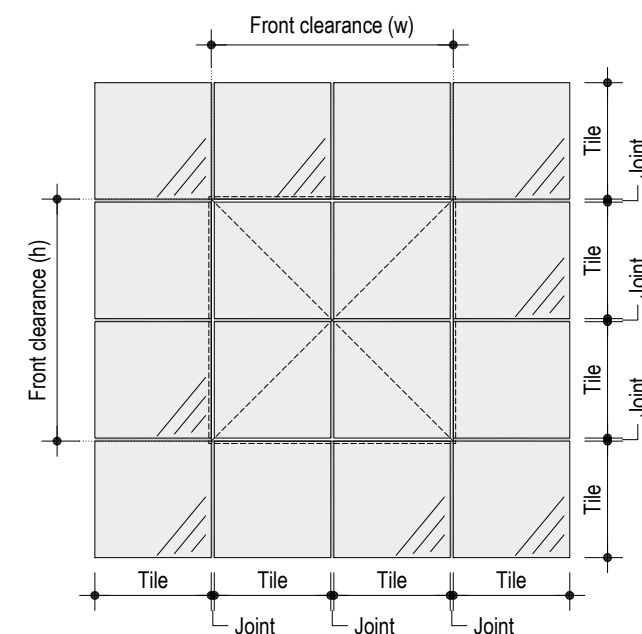
Insert, align and fix the outer frame (**CAUTION:** Inspect the all-round clearance of the internal dimension). Access panel installation according to enclosed installation instructions. The wall tiling is laid on the outer frame and is flush with the front opening clearance.

Access panel dimensions / tiling pattern

Vertical section

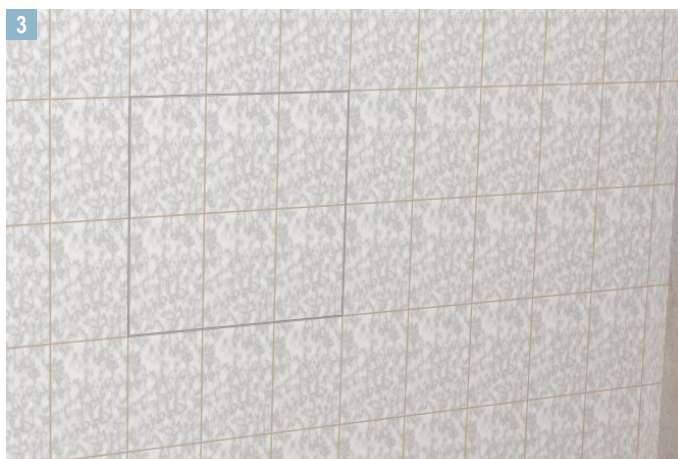
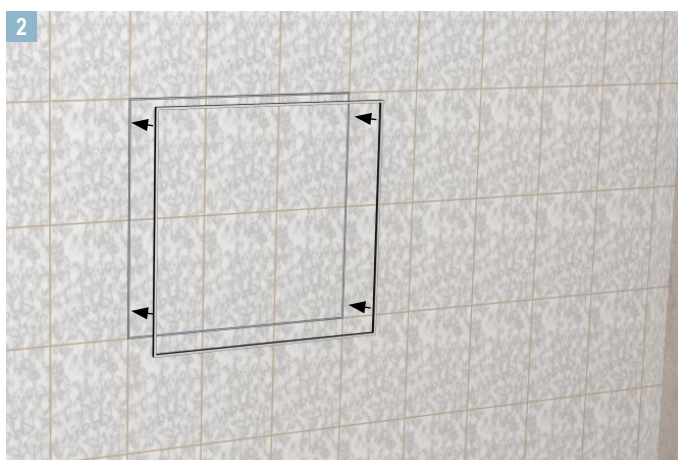
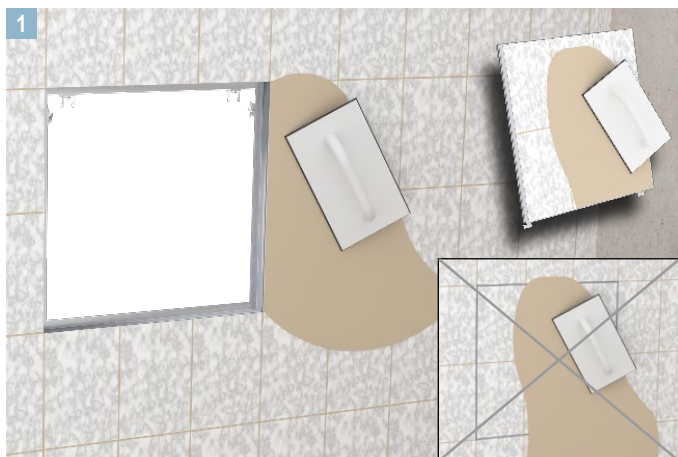


Tile application



Installation

Knauf access panel F-TEC - designed for tiling



Videos for Knauf systems and products can be found under the following link:

[youtube.com/knauf](https://www.youtube.com/knauf)



The Knauf Infothek App now provides all the current information and documents from Knauf Gips KG at any time and in every location in a clear and comfortable way.

knauf.de/infothek

Knauf Direct

Technical Advisory Service:

▶ knauf-direkt@knauf.com

▶ www.knauf.de

Knauf Gips KG Am Bahnhof 7, 97346 Iphofen, Germany

All technical changes reserved. Only the current printed instructions are valid. The stated information represents current state-of-the-art Knauf technology. The entire state of approved engineering rules, appropriate standards, guidelines, and rules of craftsmanship are not included herewith. These and all application instructions have to be adhered to separately by the installer. Our warranty is expressly limited to our products in flawless condition. All application quantities and delivery amounts are based on empirical data that are not easily transferable to other deviating areas.

All rights reserved. All amendments, reprints and photocopies, including those of excerpts, require our expressed permission.