

## SEISMIC KX

Exposed 24 mm grid system with specialist installation accessories and detailing - System C

### Key features

- Independently tested system to withstand the forces from significant seismic activity or other severe events
- Seismic qualification report in relation to EUROCODE 8 (EC8)
- Special accessories: quicker, more cost effective seismic installations
- Solutions for moderate hazard and high/very high hazard areas

### Application areas

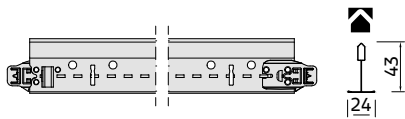
- Seismic areas, Nuclear, Military or high risk sites

### Physical data

- Material: galvanised steel with additional protective paint
- Surface finish: baked polyester paint
- Colour: available in White

### SEISMIC KX

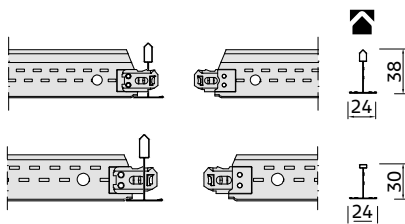
**Main Runners** (bulb-to-bulb connection)



Item reference	Dimensions (mm)			Slot centres	Content/carton		Weight/carton kg	Cartons/pallet
	Length	Width	Height		pcs	lm		
▲ SKX360W	3600	24	43	100	20	72.00	21.00	30

### SEISMIC KX

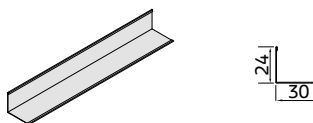
**Cross Tees** (stab system - joggled GK)



Item reference	Dimensions (mm)			Slot centres	Content/carton		Weight/carton kg	Cartons/pallet
	Length	Width	Height		pcs	lm		
<b>Cross Tees - Slotted</b>								
▲ SKX120W	1200	24	38	300	60	72.00	18.20	72
<b>Cross Tees - Unslotted</b>								
SKX60W	600	24	30	-	60	36.00	8.20	144

### SEISMIC KX

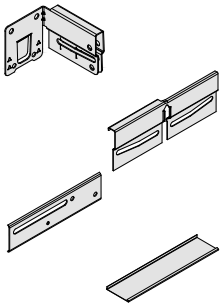
**Perimeter Trim**



Item reference	Dimensions (mm)			Slot centres	Content/carton		Weight/carton kg	Cartons/pallet
	Length	Width	Height		pcs	lm		
SKX-T2430HW	3000	30	24	-	30	90.00	19.50	48

**SEISMIC KX**

**Accessories**

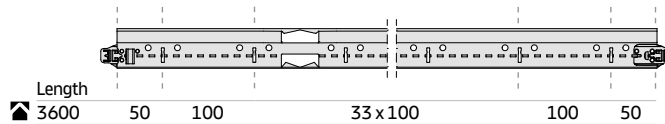


Item reference	Dimensions (mm)	Content/ carton	Weight/ carton	Description
	Length	pcs	kg	
SKX-WCON	50	200	9.00	Seismic KX Main Runner End Retaining Clip
SKX-JCXT	-	200	7.00	Seismic KX Joint Clip 24 Cross Tee
SKX-JCMR	-	100	4.00	Seismic KX Joint Clip Main Runner 24
SKX-EXSL	100	100	1.00	Seismic KX Expansion Sleeve 24

**Section Drawings**

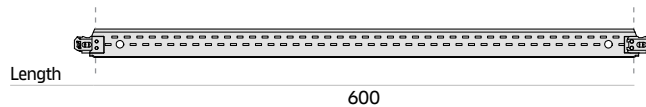
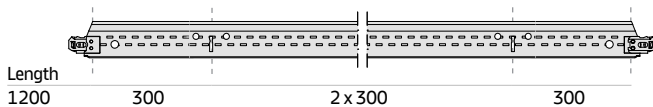
**SEISMIC KX**

**Main Runners (bulb-to-bulb connection)**



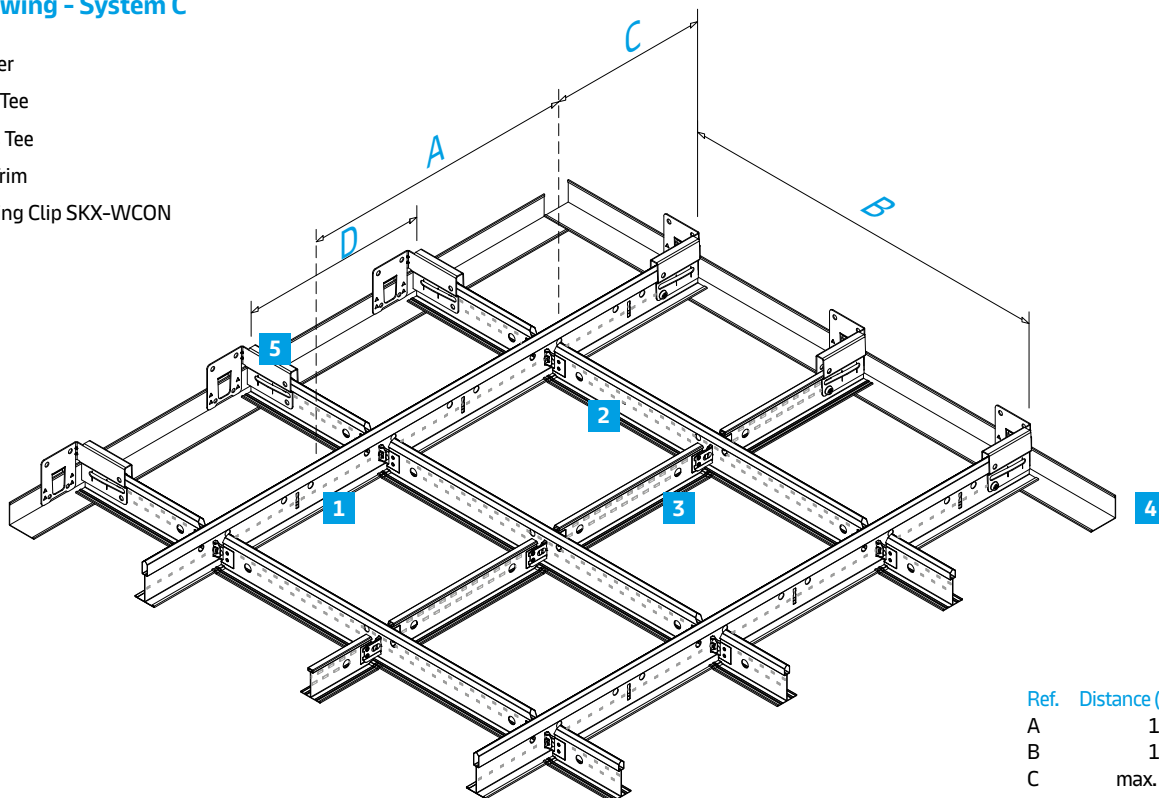
**SEISMIC KX**

**Cross Tees (stab system - joggled GK)**



**System Drawing - System C**

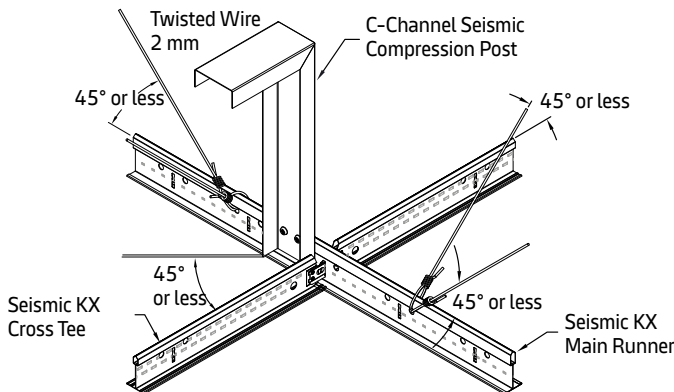
- 1** Main Runner
- 2** Long Cross Tee
- 3** Short Cross Tee
- 4** Perimeter Trim
- 5** End Retaining Clip SKX-WCON



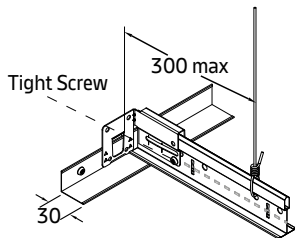
Ref.	Distance (mm)
A	1200
B	1200
C	max. 600
D	600

**Details**

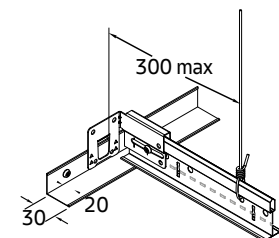
**Bracing Detail**



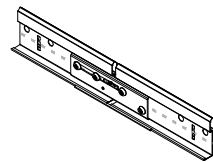
**Attached Wall Detail**



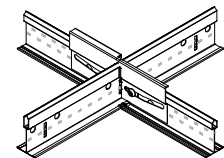
**Unattached Wall Detail**



**Seismic KX Joint Clip Main Runner\***



**Seismic KX Joint Clip Cross Tee\***



\*Optional seismic accessories  
Only necessary for ceiling areas > 2.50 m<sup>2</sup>

The Seismic KX system installation method will depend upon the hazard level required for the installation. Suitable for Knauf Ceiling Solutions mineral or metal products weighing up to 52.4 N/m<sup>2</sup>.

Characteristics	Detailed information	
<b>Fire reaction</b>		Euroclass <b>A1</b> as per EN 13501-1
<b>Indoor air quality</b>		 A+ ISO 3
<b>Cleanability</b>		 
<b>Sustainability</b>	 25%	

All measurements in millimetres. All sizes are nominal.  
Cross Tee alignment is achieved by locating the tees to the left-hand side of the adjoining section.

Products may vary from country to country. Please contact your local sales representative.  
For further information and legal notice, please visit our website.