

KNAUF

Floating Canopy Systems

MINERAL **Sonic Element** *Individual / Grouped*



© Szymon Polański

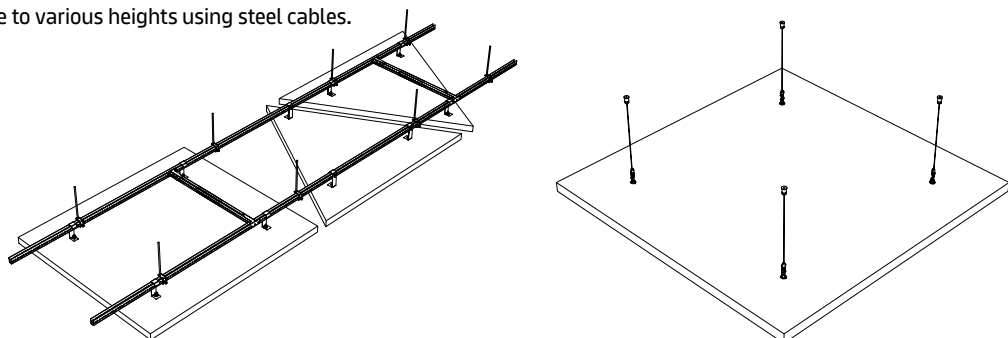
MINERAL Sonic Element is a frameless and jointless ceiling raft.

- It benefits from a fully colour coated face and reverse laminate fleece
- The monolithic ceiling raft design offers excellent sound absorption properties and when installed gives the appearance of a free floating ceiling cloud

Build on us.

Characteristics	Detailed information																																									
Thickness (mm)		40																																								
Dimensions (mm)		Trapezoid	1180 x 870	Rectangle	1780 x 1180																																					
		Hexagon	1363 x 1180	Rectangle	2380 x 1180																																					
		Left Parallelogram	1180 x 1180	Circle	Ø800																																					
		Right Parallelogram	1180 x 1180	Circle	Ø1200																																					
		Square	800 x 800	Circle	Ø1600																																					
		Square	1180 x 1180	Convex	1170 x 1170																																					
		Rectangle	1180 x 580	Concave	1170 x 1020																																					
		Rectangle	1780 x 880	Triangle	1180 x 1022																																					
		Additional sizes on request																																								
System		Individual: Wire Hanger Grouped: U-Profile																																								
Weight		6.0 kg/m²																																								
Colour & design		<div style="display: flex; align-items: center;"> <div style="margin-right: 10px;"></div> <div style="margin-right: 10px;">Vario Design Colours</div> </div> <div style="display: flex; justify-content: space-around; align-items: center; margin-top: 10px;"> <div style="text-align: center;"> White</div> <div style="text-align: center;"> Granite</div> <div style="text-align: center;"> Steel</div> <div style="text-align: center;"> Green Marble</div> <div style="text-align: center;"> Copper</div> <div style="text-align: center;"> Oak</div> <div style="text-align: center;"> Brass</div> <div style="text-align: center;"> Sandstone</div> <div style="text-align: center;"> Concrete</div> </div>																																								
Sound absorption		EN ISO 354 <table border="1" style="width: 100%; border-collapse: collapse;"> <thead> <tr> <th>Frequency f (Hz) Equivalent Absorption Area Aobj*</th> <th>125</th> <th>250</th> <th>500</th> <th>1000</th> <th>2000</th> <th>4000</th> </tr> </thead> <tbody> <tr> <td>Square: 1180 x 1180mm / Suspension height 190mm</td> <td>0.40</td> <td>1.20</td> <td>2.20</td> <td>2.40</td> <td>2.40</td> <td>2.30</td> </tr> <tr> <td>Rectangle: 1780 x 1180mm / Suspension height 190mm</td> <td>0.80</td> <td>2.10</td> <td>3.10</td> <td>3.30</td> <td>3.50</td> <td>3.40</td> </tr> <tr> <td>Rectangle: 2380 x 1180mm / Suspension height 190mm</td> <td>0.80</td> <td>2.70</td> <td>4.20</td> <td>4.40</td> <td>4.50</td> <td>4.30</td> </tr> <tr> <td>Circle: Ø1200mm / Suspension height 150mm</td> <td>0.40</td> <td>1.00</td> <td>1.70</td> <td>1.80</td> <td>2.00</td> <td>1.90</td> </tr> </tbody> </table> <p style="text-align: right; font-size: small;">*Values shown are the average of the 3 one third octave band values</p>						Frequency f (Hz) Equivalent Absorption Area Aobj*	125	250	500	1000	2000	4000	Square: 1180 x 1180mm / Suspension height 190mm	0.40	1.20	2.20	2.40	2.40	2.30	Rectangle: 1780 x 1180mm / Suspension height 190mm	0.80	2.10	3.10	3.30	3.50	3.40	Rectangle: 2380 x 1180mm / Suspension height 190mm	0.80	2.70	4.20	4.40	4.50	4.30	Circle: Ø1200mm / Suspension height 150mm	0.40	1.00	1.70	1.80	2.00	1.90
Frequency f (Hz) Equivalent Absorption Area Aobj*	125	250	500	1000	2000	4000																																				
Square: 1180 x 1180mm / Suspension height 190mm	0.40	1.20	2.20	2.40	2.40	2.30																																				
Rectangle: 1780 x 1180mm / Suspension height 190mm	0.80	2.10	3.10	3.30	3.50	3.40																																				
Rectangle: 2380 x 1180mm / Suspension height 190mm	0.80	2.70	4.20	4.40	4.50	4.30																																				
Circle: Ø1200mm / Suspension height 150mm	0.40	1.00	1.70	1.80	2.00	1.90																																				
Fire reaction		Euroclass A2-s1,d0 as per EN 13501-1																																								
Light reflectance		Up to 88%																																								
Humidity resistance		90%																																								
Indoor air quality		 A	 E1	 IAC																																						
Cleanability/ Sustainability			 IC 12720009 Annex G																																							

Flexible design and adjustable to various heights using steel cables.



Options with this icon are available from our Vario Design range.
Product availability may vary from country to country. Please contact your local sales representative.
For further information and legal notice, please visit www.knauf.com