

Qualified personnel

The respective tasks for the product described in these instructions may only be performed by suitably qualified personnel. The safety and warning instructions must be observed and followed. Qualified personnel are those who, based on their training and experience, are capable of identifying risks and avoiding potential hazards when working with this product.

Intended use

Caution

The product may only be used for the application cases as stated in the Knauf documentation. In case third-party products or components are used, they must be recommended or approved by Knauf. Flawless application of products assumes proper transport, storage, assembly, installation and maintenance.

References to other documents

- [Installation Instructions Cleaneo Smart E313-A01.de](#)
- [Knauf Cleaneo Smart 10 Painting E313-A02.de](#)
- [Technical brochure Knauf Cleaneo Smart Solutions AK06.de](#)

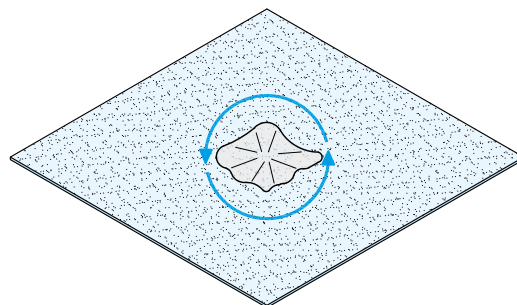
Fundamental care instructions

A few general recommendations should always be observed to guarantee the service life of the Cleaneo Smart 10 absorber elements:

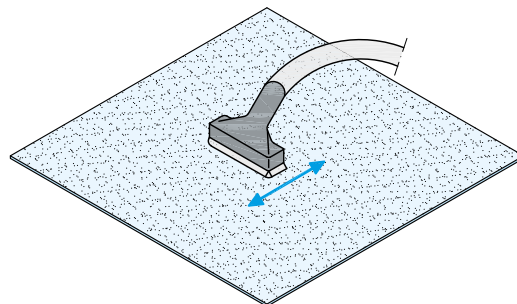
- Wear clean cotton gloves when handling Cleaneo Smart 10 absorber elements.
- Clean the Cleaneo Smart 10 absorber elements regularly and in a timely manner to prevent dirt and soiling.
- The customary cleaning methods require the use of a soft microfiber cloth (at least 70 % polyester).
- Fresh stains can usually be quickly removed when cleaned immediately.

Dry cleaning

Wipe directly with a dry microfiber cloth (made of at least 70 % polyester) in a gentle circular motion.



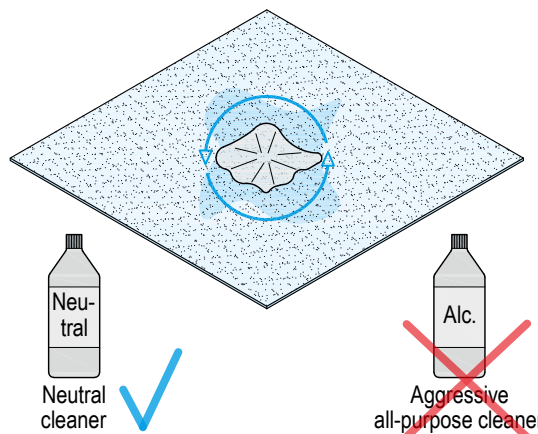
Or using a vacuum cleaner equipped with a soft polyester nozzle set to reduced suction power. Vacuum the surface carefully in linear motions with a very light contact between the cleaning head and the boards.



Damp cleaning

Wipe directly with a damp microfiber cloth (made of at least 70 % polyester) in a gentle circular motion. Subsequent, careful drying is recommended. Use lukewarm water as a cleaning agent, and if required, an environmentally-friendly commercially available neutral cleaner.

We generally recommend using standard household distilled water so that no limescale film remains after drying. Avoid abrasive cleaning agents such as powders and pastes as well as aggressive "all-purpose cleaners" such as alcohol, as they attack the surface, as well as brushes with abrasive grit.



Note

Before a cleaning agent is used for the first time, it should be tested on a non-visible location. Please follow the cleaning agent manufacturer's instructions and contact a professional cleaning company in the event of stubborn stains.



Videos for Knauf systems and products can be found under the following link:

youtube.com/knauf



The Knauf Infothek App now provides all the current information and documents from Knauf Gips KG at any time and in every location in a clear and comfortable way.

knauf.de/infothek

Knauf Direct

Technical Advisory Service:

▶ knauf-direkt@knauf.com

▶ www.knauf.de

Knauf Gips KG Am Bahnhof 7, 97346 Iphofen, Germany

All technical changes reserved. Only the current printed instructions are valid. The stated information represents current state-of-the-art Knauf technology. The entire state of approved engineering rules, appropriate standards, guidelines, and rules of craftsmanship are not included herewith. These and all application instructions have to be adhered to separately by the installer. Our warranty is expressly limited to our products in flawless condition. All application quantities and delivery amounts are based on empirical data that are not easily transferable to other deviating areas.

All rights reserved. All amendments, reprints and photocopies, including those of excerpts, require our expressed permission.