

# ***KNAUF***

## ***HERADESIGN® Bitholder Easy***



© David Matthiessen

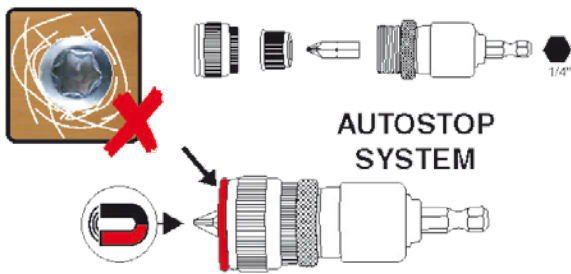
***Build on us.***

- The HERADESIGN® bitholder easy provides a simple, flush insertion of HERADESIGN® screws.

## HERADESIGN® Bitholder Easy

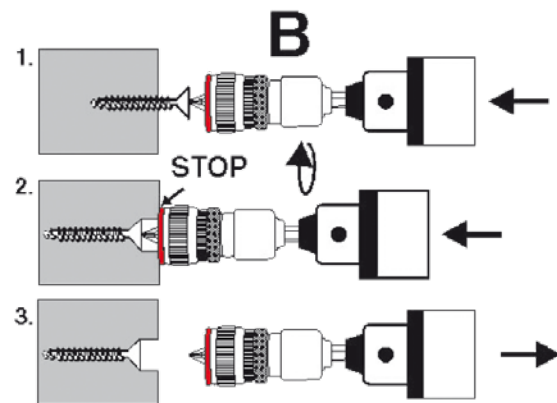
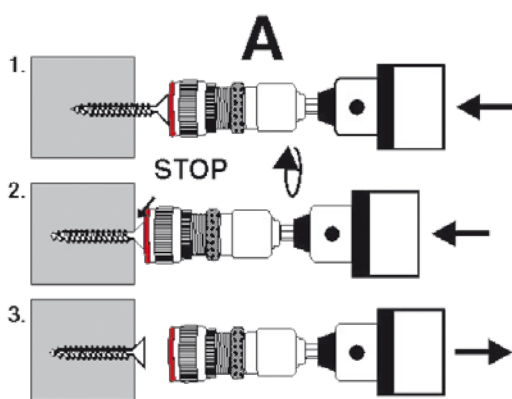
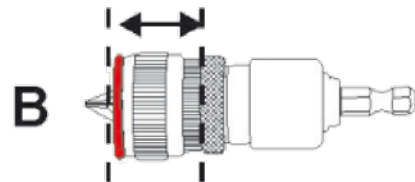
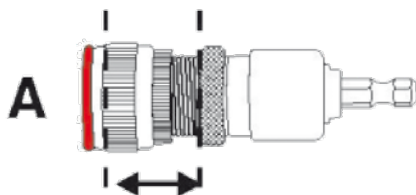
### Area of application

Mounting HERADESIGN® acoustic boards on CD profiles or wooden battens.  
The HERADESIGN® Bitholder easy provides a simple, flush insertion of HERADESIGN® screws. The wood wool surface is not damaged.



### Screw insertion depth

- Always adjust the screw insertion depth on a sample or a board offcut with the same characteristics of the wood wool board that will be installed.
- Only start the installation after setting the depth on a sample or a board offcut.
- The screw insertion depth must be continually checked and adjusted as necessary.



### Please note

The function of the screw coupling (e.g. rubber ring, release mechanism, etc.) must be checked at regular intervals and replaced when necessary.

