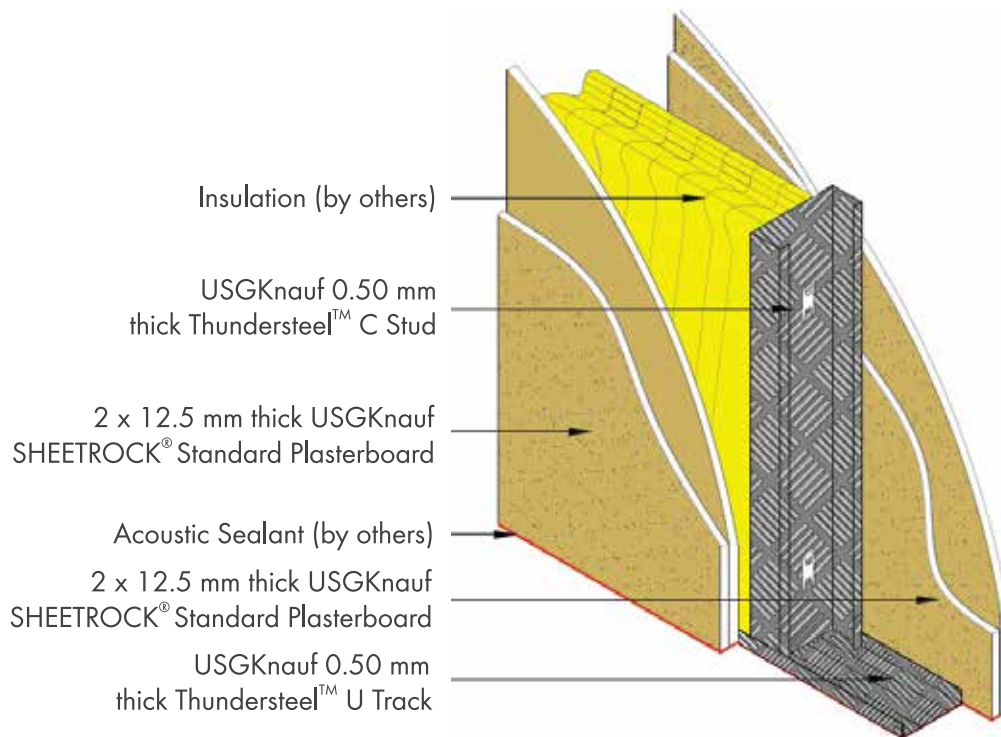




USGKnauf Thundersteel™ C Studs



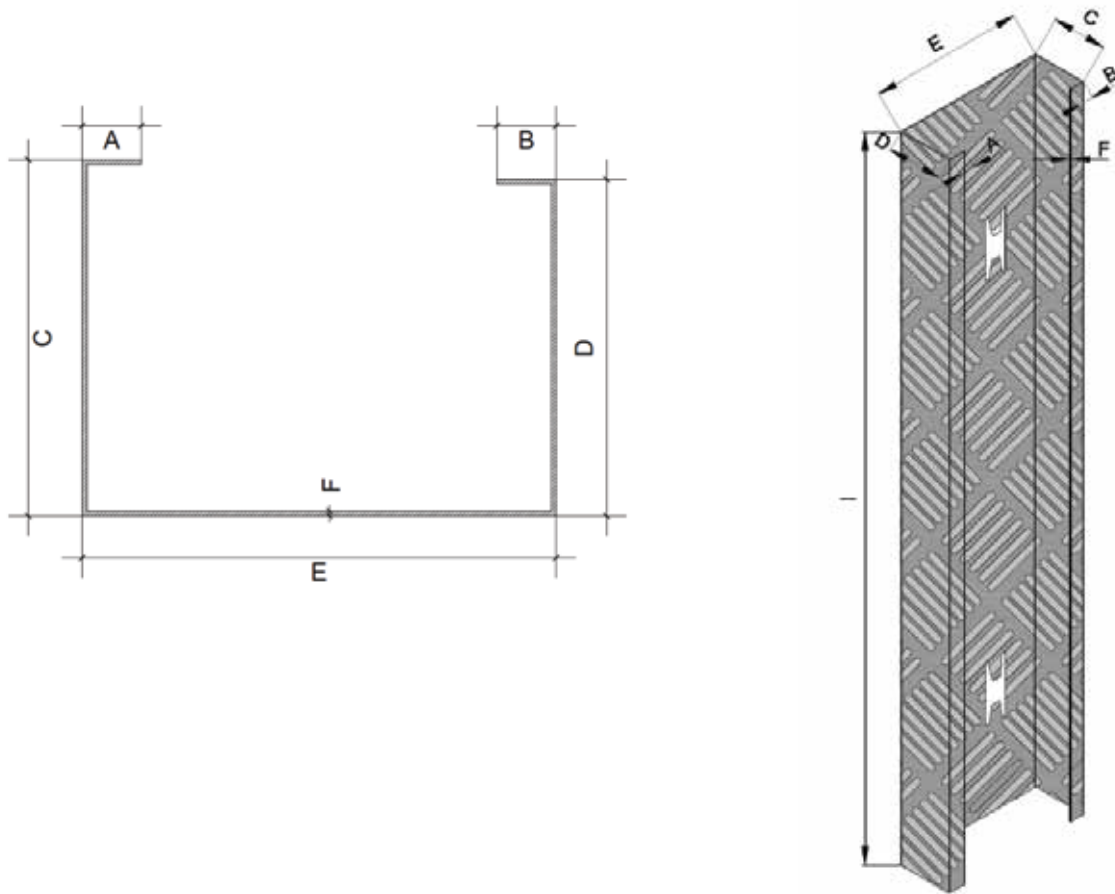
Description:

USGKnauf Thundersteel™ C Studs is an integral part of USGKnauf drywalls. This is one of the essential components in drywalls. The Plasterboards are secured to it with drywall screws to achieve the desired performance levels.

These are rolled formed on specially designed automatic machines.

Description	Unit	Range
Lip (A)	mm	6 (+/- 0.50)
Lip (B)	mm	6 (+/- 0.50)
Flange (C)	mm	36 (+/- 0.50)
Flange (D)	mm	34 (+/- 0.50)
Web (E)	mm	48 /70/ 92 /146 (+/- 0.50)
Thickness (F)	mm	0.50 (+/- 0.05)
"H" Shape Punch (G)	mm	325 (+/- 5)
"H" Shape Punch (H)	mm	800 (+/- 5)
Standard Length (I)	mm	3660 (+/- 5)
Aluminum Zinc Coating	GSM	150 GSM as per ASTM A 792
Yield Strength	MPA	310

Drawing:



Drywall Thundersteel™ Framing:

- Thundresteel™ C Studs are friction-fitted into USGKnauf Thundersteel™ floor & ceiling channel.
- Thundersteel™ C Studs are spaced at 610 mm / 406 mm / 305 mm centers depending upon the design considerations.
- The Metal Studs have two flanges which are of dimensions 34 mm & 36 mm respectively. This helps to meet the design considerations by creating a box section to achieve the stability & overlapping in case of greater heights.

Safety:

While handling & cutting of Thundersteel™ C Studs, please adhere to the safety guidelines & wear the essential PPE.

Knauf India Private Limited

Head Office: 9th Floor, Plaza Tower, DLF Phase -1, Gurugram - 122002, Haryana, India

Customer Care No: +91 - 9015147147

Email: info.india@knauf.com

www.usgknauf.com