



## Knauf CD Channel Connector

Galvanized Connector piece for extending CD channels in case of long spanned ceilings.  
Designed exclusively to be used with Knauf D11 Ceiling System and W623 Wall Lining System.

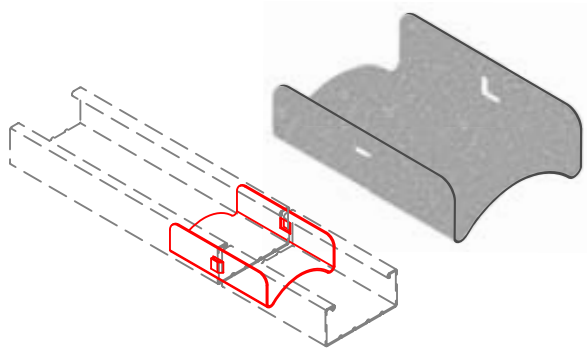
# Knauf CD Channel Connector

## Properties

Galvanized Connector piece for extending CD channels in case of long spanned ceilings.  
Designed exclusively to be used with Knauf D11 Ceiling System and W623 Wall Lining System.

## Technical Data

Dimensions		Packing Details	
Width (mm)	Pieces Per Pack	Weight Per Pack (Kg approx.)	
60	100	4	



Please contact our sales department for inquiries about storage and packing.

### Note:

-----

-----

-----

-----

### Knauf Head Office

- ▶ Phone: +971 4 337 7170
- ▶ Fax: +971 4 334 9659
- ▶ P.O.Box: 112871, Dubai
- ▶ info.uae@knauf.com

[www.Knauf.ae](http://www.Knauf.ae)

### Knauf Manufacturing Plant

P.O.Box 50006  
Ras Al Khaimah, U.A.E.  
Tel: +971 7 268 9837  
Fax: +971 7 221 5301



#### Disclaimer:

The information provided in this leaflet is only intended to give guidance in selecting and using Knauf products. While we make every effort to ensure its accuracy, neither Knauf LLC and its branches nor any of its employees or affiliates warrant or assume any legal liability or responsibility for the completeness or usefulness of any failure in installation or constructing any structure installation or building or caused by using this leaflet. Readers are advised to independently verify this information prior to rely on it. In particular, readers must obtain appropriate independent advice on the use in specific structures, installations or buildings to ensure compliance with all regulations, including health and safety regulations. Knauf reserves the right to amend technical specification.

The constructional and structural properties, and characteristic building physics Knauf system can solely be ensured with the exclusive use Knauf system components, or other product expressly recommended by Knauf.