

Knauf Pocket Kit Easy – Damper Installation

Installation Instructions

Usage instructions

Notes on the document

This installation guide is intended as an aid for the installation of prefabricated products. It contains specifications on the scope of delivery, proper professional installation as well as test and adjustment of the product when necessary. The contained information and specifications, constructions, details and stated products are based, unless otherwise stated, on the certificates of usability (e.g. National Technical Test Certificate (abP) valid at the date they are published as well as on the applicable standards. In addition, design and structural requirements and those regarding building physics (fire protection and sound insulation) are considered when necessary.

All dimensions are in mm

References to other documents

- [Knauf Sliding Door System Pocket Kit Easy W497.de](#)

Legal notes

Safety instructions

This installation guide contains instructions that must be observed to ensure your personal safety and to avoid material damage.

Caution

Indicates a potentially harmful situation. If this is not avoided, the safety of the installation personnel or end user may be impaired and/or damage to the product or surrounding area may result.

Qualified personnel

The respective tasks for the product/system described in these instructions may only be performed by suitably qualified personnel. The safety and warning notes must be observed. Qualified personnel are those who, based on their training and experience, are capable of identifying risks and avoiding potential hazards when working with these products or systems.

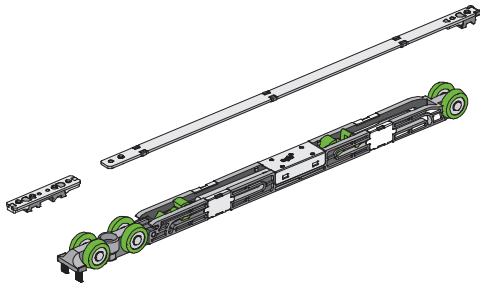
Intended use of products and systems

Please observe the following:

Caution	Knauf products/systems may only be used for the application cases as stated in the Knauf documentation. In case third-party products or components are used, they must be recommended or released by Knauf. Flawless application of products or systems assumes proper transport, storage, assembly, installation and maintenance.
----------------	--

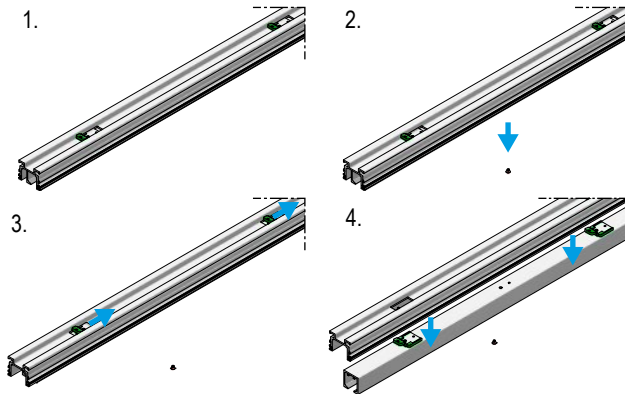
Scope of delivery

Figure 1: Contents of accessory box



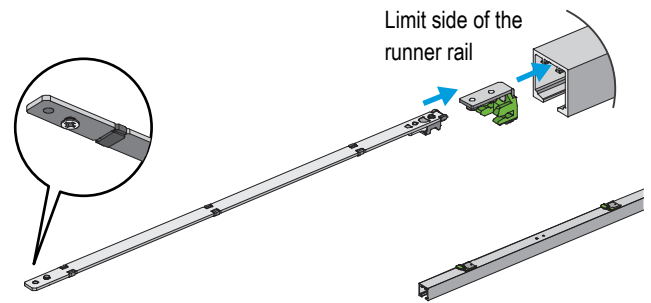
Pocket Kit Easy Damper Installation

Figure 2: Runner rail removal



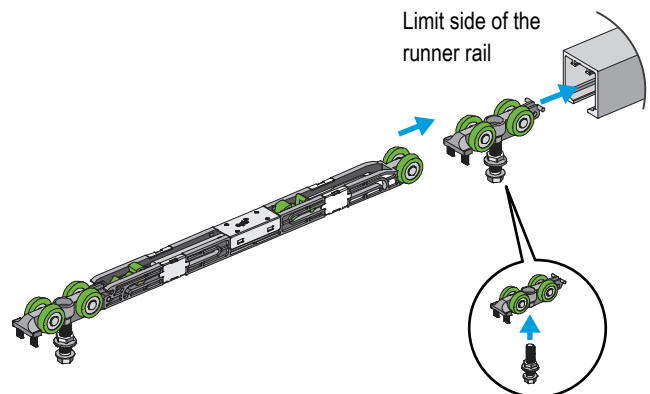
1. Remove the runner rail from the mounting rail by loosening the red screw. You can now decouple and remove the runner rail.

Figure 3: Slide the components into the runner rail



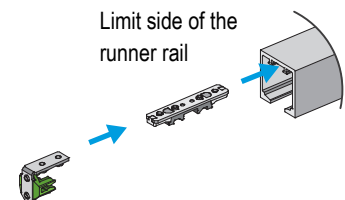
2. Now slide the components one after another in the small guide on the runner rail and ensure that they are inserted with the correct orientation. Start with the first stopper (already pre-installed on the rail) followed by the "long activator" as shown in the image.

Figure 4: Install the Sliding Door Suspension and damper



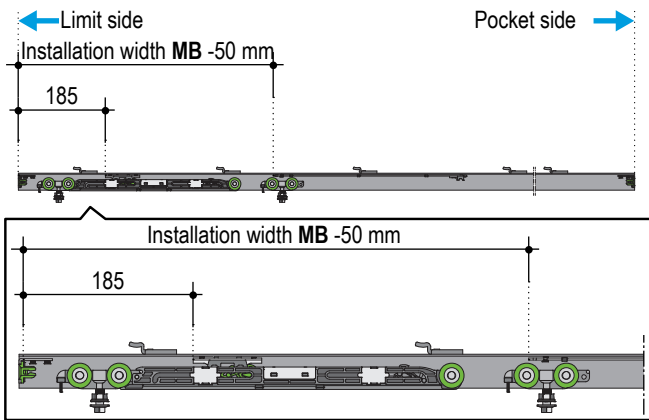
3. Attach each fixing nut onto the suspension bolt and then screw them into both Sliding Door Suspensions. Install the first Sliding Door Suspension into the runner rail, followed by the damper with Sliding Door Suspension as shown in the image.

Figure 5: Slide the components into the runner rail



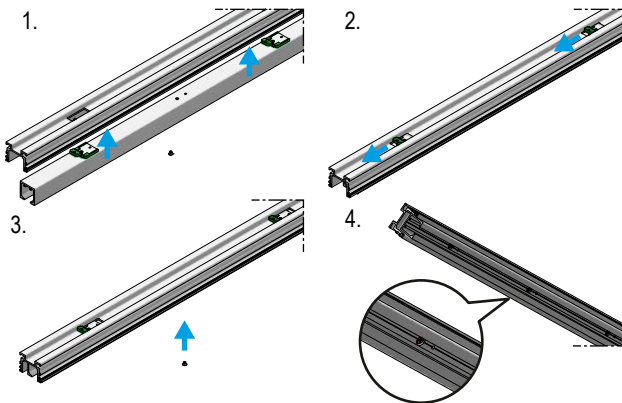
4. Now slide the "short activator" into the small guide for the runner rail followed by the second stopper.

Figure 6: Positioning the components



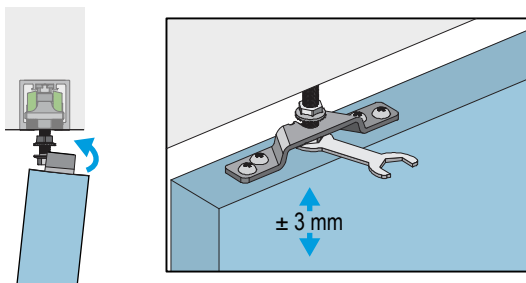
- Fix the components at the positions shown in the image. The stoppers are positioned at the respective ends of the runner rail and screwed on. The "long activator" is screwed on from the limit (stop) side with the dimension Installation width **MB -50 mm** and "short activator" with the dimension 185 mm is also screwed on from the limit (stop) side.

Figure 7: Install the runner rail



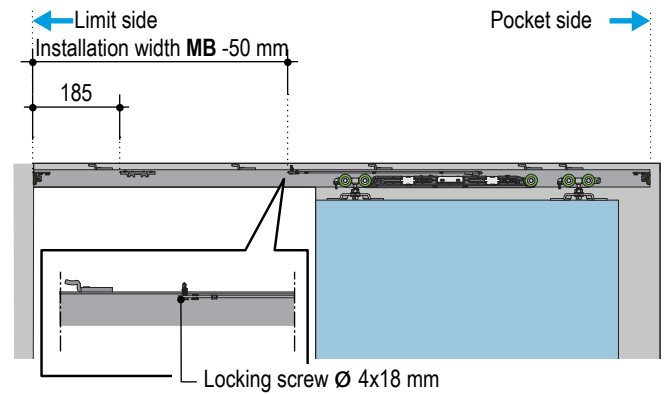
- Install the runner rail on the mounting rail by pushing the runner rail catches into the eyelets of the mounting rail and pushing it in the direction of the limit (stop) side. Screw fasten it to the mounting rail using the red screw on the runner rail.

Figure 8: Attach the door leaf



- Attach the door and make sure to slide the door leaf groove over the centre guide and suspend the door leaf bracket from the door leaf bracket mounting screw. Align the door leaf horizontally by fine adjustment of the door leaf bracket mounting screw using an open-ended spanner.

Figure 9: Screw fix the rail



- After installing the runner rail, check the dimensions and fix the "long activator" with the $\varnothing 4 \times 18$ mm locking screw, as shown in the image.
- Use the nut on the door leaf bracket mounting screw to secure the door leaf bracket.



Videos for Knauf systems and products can be found under the following link:

youtube.com/knauf



The Knauf Infothek App now provides all the current information and documents from Knauf Gips KG at any time and in every location in a clear and comfortable way.

knauf.de/infothek

Knauf Direct

Technical Advisory Service:

▶ knauf-direkt@knauf.com

▶ www.knauf.de

Knauf Gips KG Am Bahnhof 7, 97346 Iphofen, Germany

All technical changes reserved. Only the current printed instructions are valid. The stated information represents current state-of-the-art Knauf technology. The entire state of approved engineering rules, appropriate standards, guidelines, and rules of craftsmanship are not included herewith. These and all application instructions have to be adhered to separately by the installer. Our warranty is expressly limited to our products in flawless condition. All application quantities and delivery amounts are based on empirical data that are not easily transferable to other deviating areas.

All rights reserved. All amendments, reprints and photocopies, including those of excerpts, require our expressed permission.