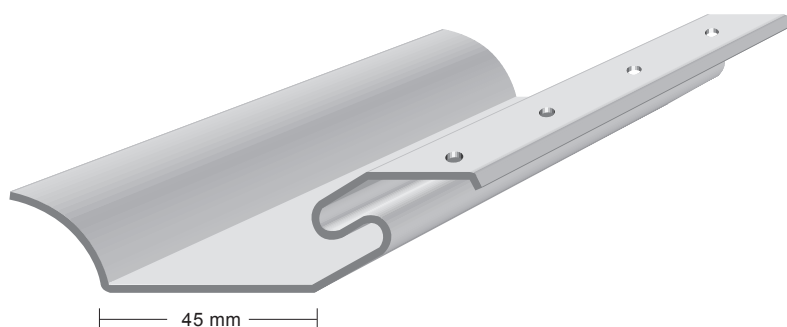


## AP+ Acoustic profile

Acoustic insulation profile for ceilings and walls

Side: 1/1

11/2016



### Product description

The profile has an acoustic insulating effect in joists and on walls. Effect is achieved by the profile only being fastened by one flange, giving sprung suspension for plasterboards. Installation must follow the instructions precisely.

### Installation

Installation instructions and other information can be found at [www.knauf.dk](http://www.knauf.dk).

### Packaging

Profiles are bound with plastic bands and packed with wooden laths and steel band.

### Quality

Hot-dip galvanised, cold-rolled thin sheet metal S250GD+Z140. Total zinc weight min. 140 g/m<sup>2</sup>.

### Product specification Akustikprofil (AP+)

Sheet thickness 0.56 mm, lengths and dimensions given in mm.

Name	Width	Height	Length	Std. pack	Weight in kg per metre length	SAP no.
AP+	100	25	3000	8/120	0.68	436503