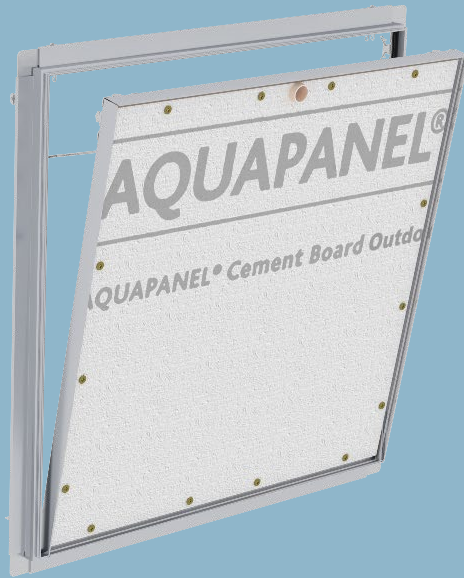


Note on English translation / Hinweise zur englischen Fassung

This is a translation of the product data sheet valid in Germany.

All stated details and properties are in compliance with the regulations of the German standards and building regulations. They are only applicable for the specified products, system components, application rules, and construction details in connection with the specifications of the respective certificates and approvals.

Knauf Gips KG denies any liability for applications outside of Germany as this requires changes acc. to the respective national standards and building regulations.

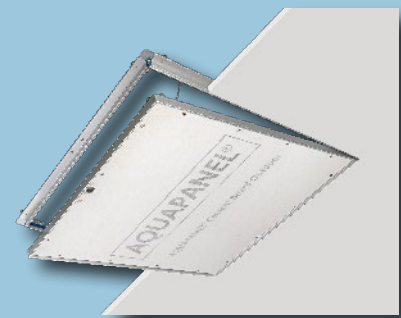


Drywall Systems

E136a.de

Product Data Sheet

2024-01



AQUAPANEL® REVO SkyLite Outside MSK

Access panel for AQUAPANEL® ceiling systems for exteriors without direct exposure to weather

Product description

Access panel for installation in suspended ceilings for exteriors without direct exposure to weather.

AQUAPANEL® REVO SkyLite Outside MSK consists of:

- Aluminium outer frame
- Openable and fully detachable hatch
- Screw fastened AQUAPANEL® Cement Board Outdoor with skimming edge (MSK) ex-works
- Four-square bolt
- Seal
- 6 mm spacer strips

Properties and added value

- Access panel for ceiling built-ins in exteriors without direct exposure to weather
- Airtight and dust-proof access panel class 3, EN 1026 + 12207, suction and pressure (tested airtight up to 600 Pascals, over or under pressure)
- Water action classes W0-I to W1-I acc. to DIN 18534-1
- Corrosivity category C3
- With skimming edge (MSK)
- Permissible wind pressure/suction load up to $w_{e,1}$ 1.0 kN/m²
- Can be used for cladding thickness 8 mm
- Retrofitting is possible

Field of application

Installation in Knauf AQUAPANEL® ceiling systems with cladding thickness of 8 mm in exteriors without direct exposure to weather as well as in damp and wet rooms.

Application

It can be installed together with the substructure/grid or when the cladding is applied. Trimmers made of profiles may be necessary depending on the construction type and installation conditions of the access panels.

Trimmer

Arrange trimmers made of corrosion protected CD Channels in accordance with the dimension of the access panel. Maintain distances between cut-out section and trimmer of at least 30 mm or 60 mm along the furring channel with UD profile up to a maximum of 100 mm. Mount 4 additional rigid corrosion protected suspenders in the corner areas of the access panel.

See the design details and the scheme drawings on the following page.

Cladding

Cut out in the opening of the ceiling cladding approx. 12 mm larger than the access panel size (= clearance).

Screw fasten the cladding to the trimmer profiles as well.

If the distance to the installations in the ceiling is less than than 200 mm the installation of the outer frame must be undertaken together with the surface cladding installation (swivelling into the cladding already installed not possible).

Retrofitting

The cladding must be sawed out in case of subsequent installation of the access panel. Apply a frame backing made of corrosion protected circumferential profile sections (CD Channels) and attach them with screws (screw spacing \leq 150 mm).

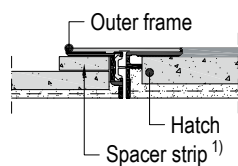
Note

The cut edges of the C3 profiles or small parts must always be recoated. We recommend the grey Drystar corrosion protection lacquer C3/C5M. On-site, it will be immediately recognizable if all the required subsequent work has been carried out.

Installation of the access panel

Cladding

8 mm



1) Spacer strips are included in the packaging.

Place outer frame of the access panel in the opening, lay it on the cladding, align and screw attach. Subsequently, insert the hatch and check the lock for proper functioning.

A clearance of \geq 30 mm must be ensured in the rear side of the hatch to open the hatch.

Use AQUAPANEL® Maxi Screws SB for the attachment of the frame to the cladding.

Jointing

Fill the outer frame of access panel and the ceiling surface with AQUAPANEL® SkyLite joint filler & skim coating. Fill in the hatch as well. See also Knauf system data sheets for the respective system.

Cleaning

Clean outer frame, hatch, and particularly the seal thoroughly after filling.

Notes

For exterior ceilings with a free, unattached ceiling end or shadow gap, the installation of access panels in the corner and edge area is not permitted; a minimum spacing of \geq 1.0 m from the ceiling edge must be maintained.

With rectangular ceiling access panels, the lock and hinge system is always mounted as standard on the long side.

At least

- 2 screws per frame side for hatch size $<$ 500 x 500 mm
- 3 or 4 screws for hatch size \geq 500 x 500 mm
Screw spacing maximum 500 mm.

No cladding board joints are allowed near the access panels.

The installation of the access panels is recommended during the construction of the exterior ceiling. In case of subsequent installation of access panels, greater effort and expense must be considered during installation.

Observe the installation instructions enclosed with the product.

Construct the ceiling AQUAPANEL® systems in accordance with the most current Knauf system data sheets.

Coatings and linings

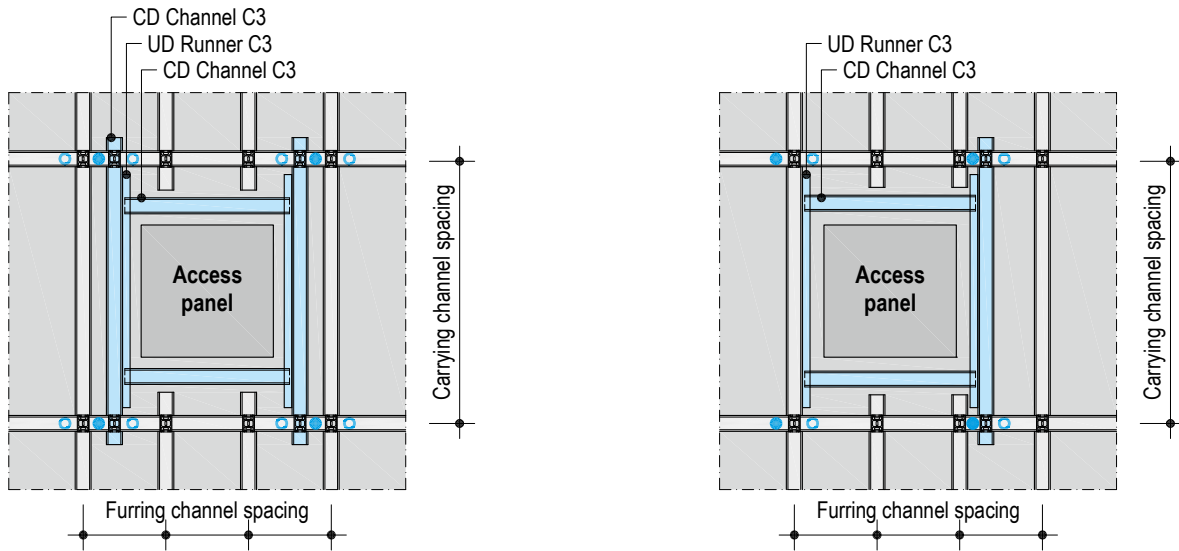
Surface treatment of the access panels with AQUAPANEL® Cement Board Outdoor inlay according to the Knauf system data sheet for the respective system.

Note for the painter

Generally remove the access panel inner frame before painting separately so that no paint penetrates the narrow joint between the hatch and the outer frame.

Examples, scheme drawings

Double-level metal grid (D282.de)



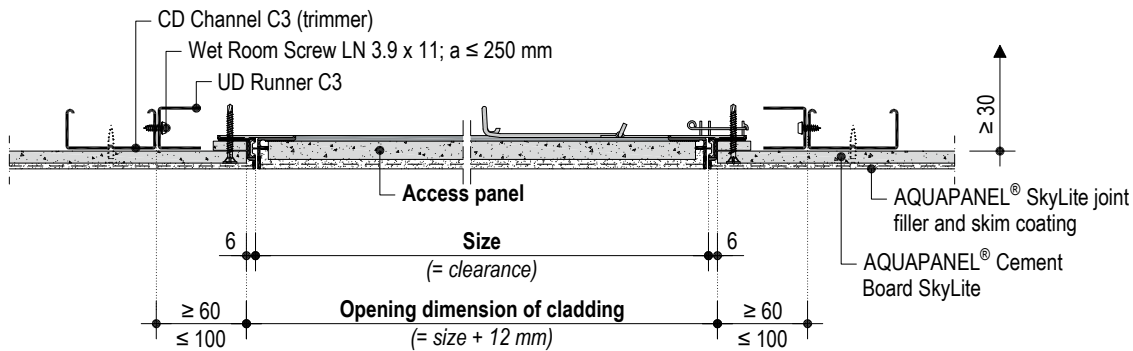
- Additional grid
- 4 additional suspension points (e.g. Nonius suspension)
- Alternative suspension points

Further suspenders are required if the suspended profiles are to be exchanged.

Design details

Scale 1:5 | Dimensions in mm

E136a.de-V1 Board Ceiling AQUAPANEL® – vertical section



1) Clearance to basic ceiling / installations

2) No UD Runner required on the profile trimmer lateral to the furring channels, as the spacing to the CD Channel can be reduced to 30 mm here.

Product range

Description	Width x length mm	Weight kg/pieces	Packaging unit	Material number	EAN
AQUAPANEL® REVO SkyLite Outside MSK	300 x 300	4.8	1 piece / pack	00819250	4003982564542
	400 x 400	6.0	1 piece / pack	00819248	4003982564566
	500 x 500	7.7	1 piece / pack	00819244	4003982564580
	600 x 600	9.4	1 piece / pack	00819240	4003982564603

Required specifications for ordering

- Dimension of the access panel (width x length)
- Cladding thickness



Observe safety data sheet!

For safety data sheet see

pd.knauf.de



Videos for Knauf systems and products can be found under the following link:

youtube.com/knauf



The Knauf Infothek App now provides all the current information and documents from Knauf Gips KG at any time and in every location in a clear and comfortable way.

knauf.de/infothek

Knauf Direct

Technical Advisory Service:

▶ knauf-direkt@knauf.com

▶ www.knauf.de

Knauf Gips KG Am Bahnhof 7, 97346 Iphofen, Germany

All technical changes reserved. Only the current printed instructions are valid. The stated information represents current state-of-the-art Knauf technology. The entire state of approved engineering rules, appropriate standards, guidelines, and rules of craftsmanship are not included herewith. These and all application instructions have to be adhered to separately by the installer. Our warranty is expressly limited to our products in flawless condition. All application quantities and delivery amounts are based on empirical data that are not easily transferable to other deviating areas.

All rights reserved. All amendments, reprints and photocopies, including those of excerpts, require our expressed permission.