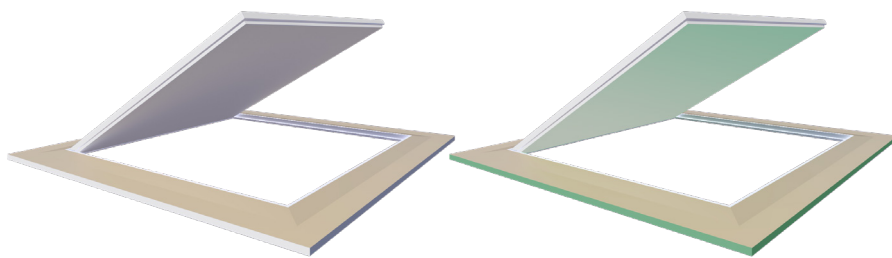


Knauf Access Panels

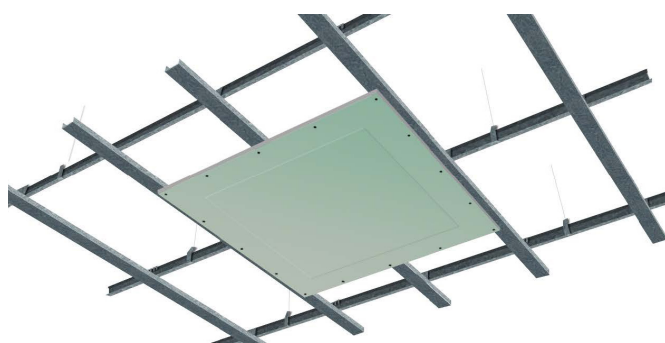
Product Data Sheet (10/2025)



Knauf Access Panels are prefabricated, frameless gypsum board panels, designed to blend seamlessly into ceilings for a clean, monolithic look. They provide simple access to concealed building services while maintaining the aesthetic integrity of the surface.

PHYSICAL PROPERTIES		
Type	Panel Size (Width x Length)	Recommended frame spacing (Width x Length)
Access Panel StandardShield	300 mm x 300 mm	500 mm x 500 mm
	450 mm x 450 mm	650 mm x 650 mm
	600 mm x 600 mm	800 mm x 800 mm
Access Panel MoistureShield	300 mm x 300 mm	500 mm x 500 mm
	450 mm x 450 mm	650 mm x 650 mm
	600 mm x 600 mm	800 mm x 800 mm

*Available to fit with 12mm Knauf gypsum boards ceilings



KEY FEATURES

- **Seamless Design:** The frameless construction ensures a clean, unobtrusive finish, seamlessly integrating with most Knauf ceiling assemblies.
- **Durable and Long-Lasting:** Made with high-quality gypsum materials to ensure strong performance and long-term reliability.
- **Easy Installation:** The prefabricated design allows for fast and hassle-free installation.
- **Dual Options:** Available in two variants to suit different environmental needs:
 - ▶ **StandardShield:** For standard interior applications.
 - ▶ **MoistureShield:** Specifically designed for interior wet areas.

APPLICATIONS

Prefabricated for quick and easy installation into Knauf ceiling systems, suitable for:

- Offices
- Bathrooms
- Kitchens
- Dining Rooms
- Data Centers

Limitations:

- Designed for ceiling applications.

INSTALLATION

- **Step 1: Prepare the Team and Safety Gear (PPE)**
 - ▶ Remove the Knauf Access Panel cover from the border and set it aside safely.
 - ▶ TIP: Put the cover back in its box and store it in a secure place (like a warehouse) to avoid damage.
- **Step 2: Attach the Access Panel Border**
 - ▶ Place the Knauf Access Panel border in the correct position.
 - ▶ Fasten it using 25 mm (1-inch) gypsum screws.
 - ▶ Make sure the screws are evenly spaced and not more than 200 mm apart for a strong hold.



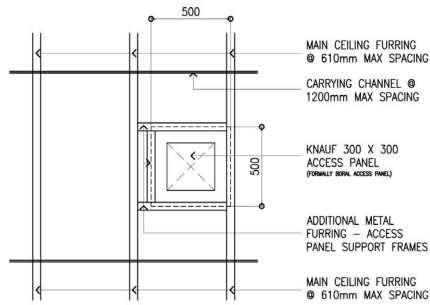
Step 3: Joint and Finish the Panel Border

- ▶ Use Knauf Jointing Compound, Knauf Premium Premix, and paper tape for a smooth, clean finish.
- ▶ TIP: Follow the Knauf Level 4 Jointing Finish. Make sure each layer is fully dry before applying the next layer.

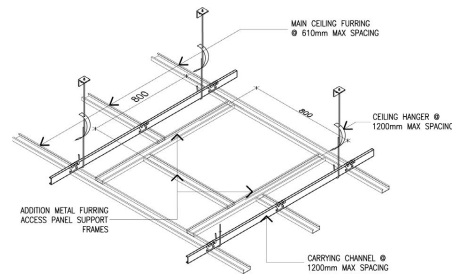
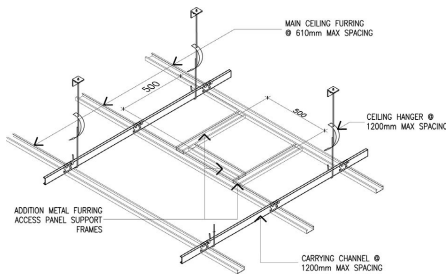
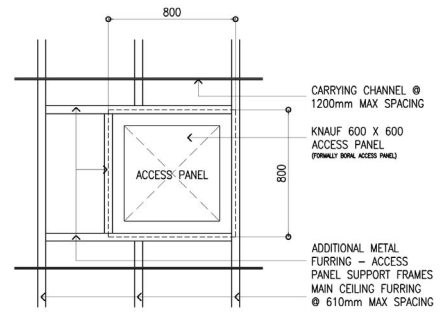
Step 4: Reinstall the Panel Cover

- ▶ Take the stored Access Panel cover and carefully insert it into the frame.
- ▶ TIP: For an easier fit, insert it sideways and make sure it sits evenly and flush.

RECOMMENDED ACCESS PANEL CEILING FRAME (300 MM X 300 MM)



RECOMMENDED ACCESS PANEL CEILING FRAMES (600 MM X 600 MM)



Submittal Sheet

PROJECT INFORMATION	
Project Name	
Project Location	
Contractor Name	
Date of Submission	

REVIEW AND APPROVAL SECTION					
Reviewer Name and Signature					
Product Name	Approved	With Revisions	Rejected	For Further Deliberation	
FOR INTERIOR					
<i>Gypsum Boards</i>					
StandardShield	<input type="checkbox"/>	<input type="checkbox"/>	<input type="checkbox"/>	<input type="checkbox"/>	
SpanShield	<input type="checkbox"/>	<input type="checkbox"/>	<input type="checkbox"/>	<input type="checkbox"/>	
MoistureShield	<input type="checkbox"/>	<input type="checkbox"/>	<input type="checkbox"/>	<input type="checkbox"/>	
FireShield	<input type="checkbox"/>	<input type="checkbox"/>	<input type="checkbox"/>	<input type="checkbox"/>	
DenseShield	<input type="checkbox"/>	<input type="checkbox"/>	<input type="checkbox"/>	<input type="checkbox"/>	
MultiShield	<input type="checkbox"/>	<input type="checkbox"/>	<input type="checkbox"/>	<input type="checkbox"/>	
EchoStop	<input type="checkbox"/>	<input type="checkbox"/>	<input type="checkbox"/>	<input type="checkbox"/>	
Cleaneo Acoustic	<input type="checkbox"/>	<input type="checkbox"/>	<input type="checkbox"/>	<input type="checkbox"/>	
Access Panels	<input type="checkbox"/>	<input type="checkbox"/>	<input type="checkbox"/>	<input type="checkbox"/>	
<i>Ceiling Tiles</i>					
Laminated Panels	<input type="checkbox"/>	<input type="checkbox"/>	<input type="checkbox"/>	<input type="checkbox"/>	
<i>Compounds & Finishing</i>					
Premium Jointing	<input type="checkbox"/>	<input type="checkbox"/>	<input type="checkbox"/>	<input type="checkbox"/>	
Premium Premix	<input type="checkbox"/>	<input type="checkbox"/>	<input type="checkbox"/>	<input type="checkbox"/>	
Paper Tape	<input type="checkbox"/>	<input type="checkbox"/>	<input type="checkbox"/>	<input type="checkbox"/>	
FOR EXTERIOR					
<i>Cement Board</i>					
Aquapanel	<input type="checkbox"/>	<input type="checkbox"/>	<input type="checkbox"/>	<input type="checkbox"/>	
Notes					

Office Address: 14F Office 2, One Paseo Building
 Paseo de Arco cor. E. Rodriguez Jr. Ave. (C5),
 ArcoVia City, Pasig City, 1604 Philippines

Customer Service:
 ☎ 0917 853 3593
 ✉ info.ph@knauf.com

Product availability may vary per region. Please contact your local sales agent. For further information and legal notice, please visit www.knauf.com/en-PH

