

KNAUF

Vertical Baffle Systems
MINERAL
Baffle Element
Arc
Individual / Grouped



© Jakub Joachim

With MINERAL Baffle Element Arc you can create exciting interiors without compromising acoustic performance, even with modern exposed soffit ceilings

- Modern curved appearance
- Reduce noise levels, increase speech intelligibility and reduce reverberation time in the space
- Install individually or in groups
- Typically used in schools, offices, leisure centres, transport hubs, etc.

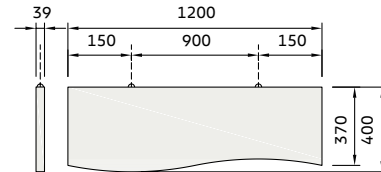
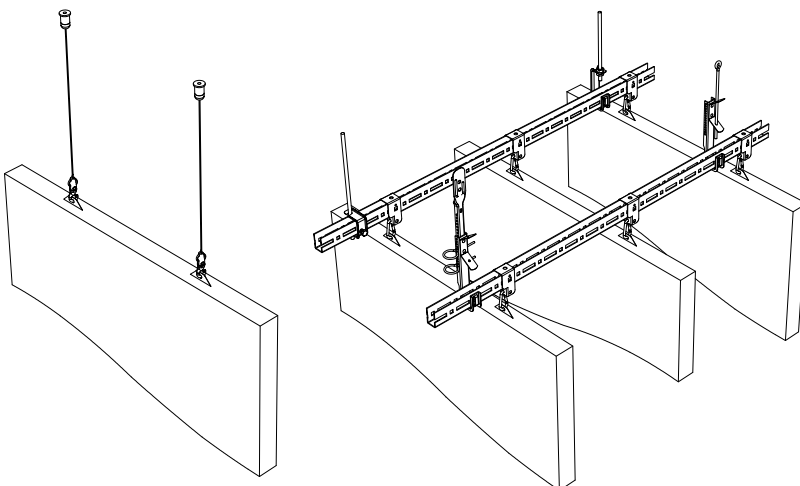
Build on us.

MINERAL Baffle Element Arc

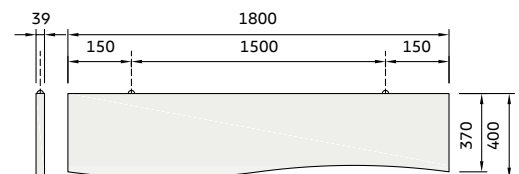
Individual / Grouped

Characteristics	Detailed information															
Thickness (mm)		39														
Dimensions (mm)		1200 x 400 1800 x 400 Additional sizes on request														
System	Hanging Wire Kit U-Profile grouping option T-Grid Main Runner grouping option															
Weight		1200 x 400: 5.0 kg/pc 1800 x 400: 7.5 kg/pc														
Colour & design		<div style="display: flex; align-items: center;"> <div style="margin-right: 10px;"> White </div> <div style="margin-right: 10px;"> Granite </div> <div style="margin-right: 10px;"> Steel </div> <div style="margin-right: 10px;"> Green Marble </div> <div style="margin-right: 10px;"> Copper </div> <div style="margin-right: 10px;"> Oak </div> <div style="margin-right: 10px;"> Brass </div> <div style="margin-right: 10px;"> Sandstone </div> <div> Concrete </div> </div> <p style="margin-top: 5px;">VO Vario Design Colours</p>														
Sound absorption		EN ISO 354 $\alpha_w = 0.50(MH)$ (300mm) as per EN ISO 11654 <table border="1" style="width: 100%; border-collapse: collapse;"> <thead> <tr> <th>Frequency f (Hz)</th> <th>125</th> <th>250</th> <th>500</th> <th>1000</th> <th>2000</th> <th>4000</th> </tr> </thead> <tbody> <tr> <td>α_p Row distances 300mm</td> <td>0.15</td> <td>0.25</td> <td>0.45</td> <td>0.90</td> <td>0.90</td> <td>0.95</td> </tr> </tbody> </table> NRC = 0.65 as per ASTM C 423	Frequency f (Hz)	125	250	500	1000	2000	4000	α_p Row distances 300mm	0.15	0.25	0.45	0.90	0.90	0.95
Frequency f (Hz)	125	250	500	1000	2000	4000										
α_p Row distances 300mm	0.15	0.25	0.45	0.90	0.90	0.95										
Fire reaction		Euroclass A2-s1,d0 as per EN 13501-1														
Humidity resistance		90%														
Indoor air quality		<div style="display: flex; justify-content: space-around; align-items: center;"> <div style="text-align: center;"> A+ </div> <div style="text-align: center;"> E1 </div> <div style="text-align: center;"> IACG </div> </div>														
Cleanability																
Sustainability		 <small>BIOSOLUBLE WOOL EC 1272/2008 Annex G</small>														

MINERAL Baffle Element Arc



Module 1200 x 400 mm



Module 1800 x 400 mm

VO Options with this icon are available from our Vario Design range.
 Product availability may vary from country to country. Please contact your local sales representative.
 For further information and legal notice, please visit www.knauf.com.