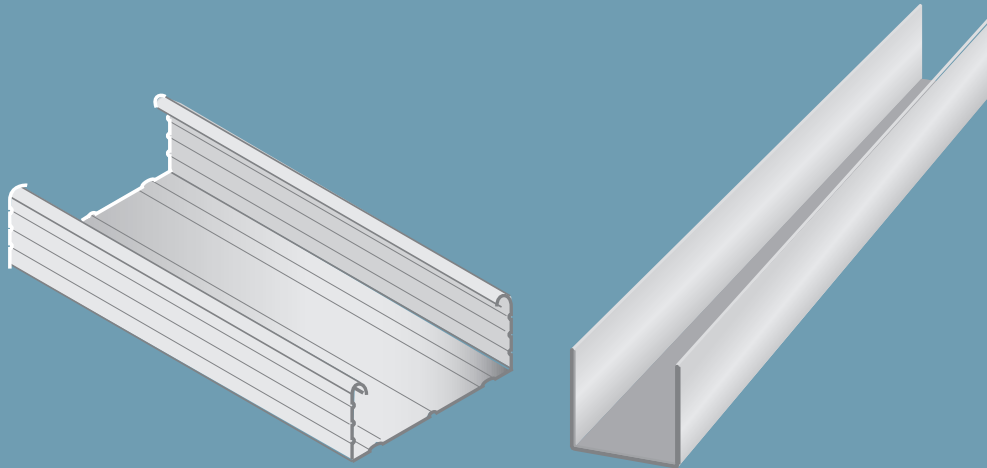


CD- and UD-profile



CD- and UD-profile

For suspended ceilings

EN 14195

PRODUCT DATA			
CHARACTERISTIC		VALUE	UNIT
Fire	Reaction to fire	A1	Incombustible
Strength	Yield point	250	N/mm ²
Contents	Hazardous contents	NPD	
Surface	Zinc	100	g/m ²
Corrosion class		C1	
Measurements	Widths ± 0.5	UD: 28 / CD: 60	mm
	Thickness	0,60	mm
	Length	± + 0 / - 3	
	Other - see drawing	± 1	mm

Areas of use

Wall runner UD 28x27 is used in connection with suspended ceilings. Used for perimeter of the ceiling to other building components for system CD1 and CD2.

CD-profile 60x27 is used as both support section and cross section for suspended ceilings.

For non-bearing constructions in buildings with plasterboard according to EN 520 or reprocessed products according to EN 14190.

Profiles produced according to EN 14195.

PROFILE DATA							
	t	h	A	I _y	W _y	I _x	W _x
Profile	mm	mm	mm ²	mm ⁴	mm ³	mm ⁴	mm ³
UD-profile	0,60	28	35,7	0,53 x 10 ⁴	0,28 x 10 ³	-	-
CD-profile	0,60	60	69,3	4,11 x 10 ⁴	1,36 x 10 ³	0,71 x 10 ⁴	0,37 x 10 ³

Steel quality: S250GD+Z100

