

Knauf Pocket Kit Easy Plaster Reveal

Installation Instructions for Wooden and Glass Door Panels

Usage instructions

Notes on the document

This installation guide is intended as an aid for the installation of prefabricated products. It contains specifications on the scope of delivery, proper professional installation as well as test and adjustment of the product when necessary. The contained information and specifications, constructions, details and stated products are based, unless otherwise stated, on the certificates of usability (e.g. National Technical Test Certificate (abP) valid at the date they are published as well as on the applicable standards. In addition, design and structural requirements and those regarding building physics (fire protection and sound insulation) are considered when necessary.

All dimensions are in mm

References to other documents

- [Knauf Sliding Door System Pocket Kit Easy W497.de](#)

Legal notes

Safety instructions

This installation guide contains instructions that must be observed to ensure your personal safety and to avoid material damage.

Caution

Indicates a potentially harmful situation. If this is not avoided, the safety of the installation personnel or end user may be impaired and/or damage to the product or surrounding area may result.

Note

Provides useful information on the product or system.

Qualified personnel

The respective tasks for the product/system described in these instructions may only be performed by suitably qualified personnel. The safety and warning instructions must be observed and followed. Qualified personnel are those who, based on their training and experience, are capable of identifying risks and avoiding potential hazards when working with these products or systems.

Intended use of products and systems

Please observe the following:

Caution

Knauf products/systems may only be used for the application cases as stated in the Knauf documentation. In case third-party products or components are used, they must be recommended or released by Knauf. Flawless application of products or systems assumes proper transport, storage, assembly, installation and maintenance.

Scope of delivery

Figure 1: Scope of delivery with glass door leaf

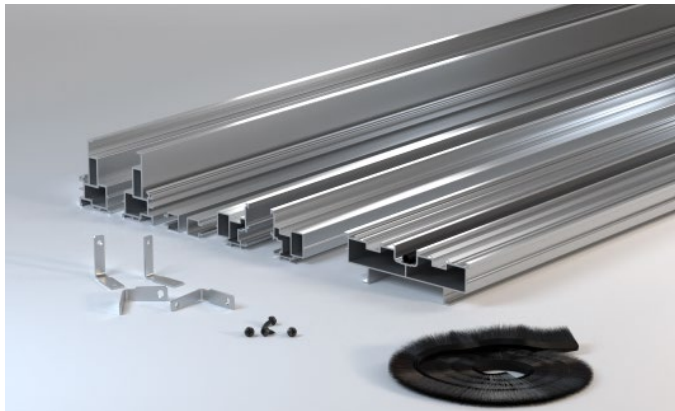
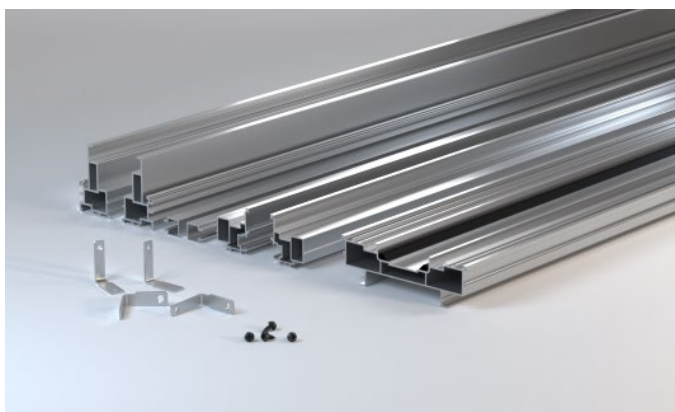


Figure 2: Scope of delivery with wood door leaf



Pocket Kit Easy Plaster Reveal Installation

Here the presentation of the steps for installation of the Knauf Pocket Kit Easy Plaster Reveal in conjunction with a glass door leaf are shown. The installation for wooden leaf doors is practically identical and only differs with the profile design of the limit profile.

Figure 3: Glass / wood limit profile

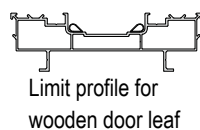
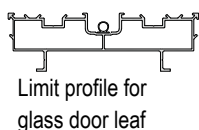
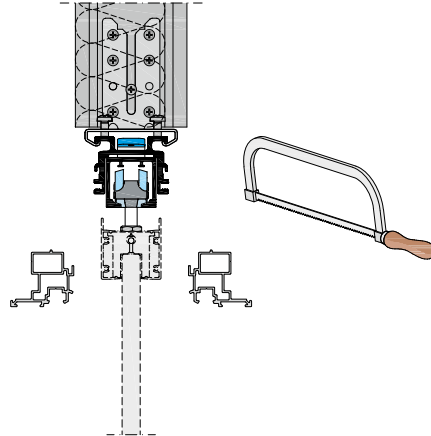
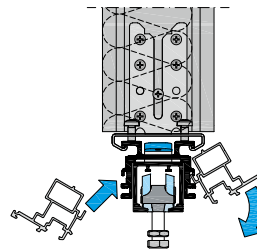


Figure 4: Cut the lintel runner to fit



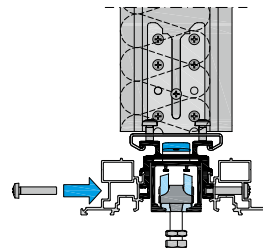
1. Cut the lintel runner to fit the installation dimensions,

Figure 5: Attach the lintel runner



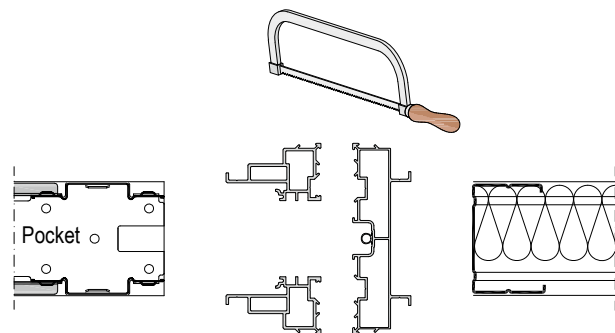
2. Suspend the lintel runner using the tabs in the guide.

Figure 6: Screw fix the lintel runner



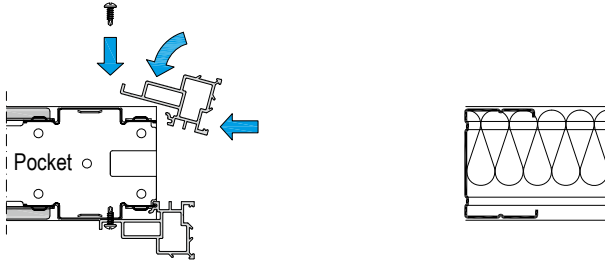
3. Fasten the lintel runner to the mounting rail with 4x M5x25 Truss Head Screws each.

Figure 7: Cut the reveal profile and limit profile to fit



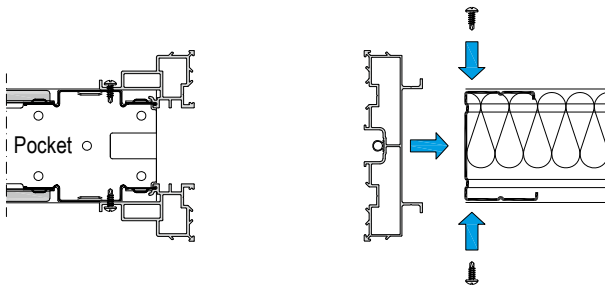
4. Cut the reveal profile and the limit profile to the height installation dimensions.

Figure 8: Attach the reveal profile



- Suspend the reveal profile with the groove on the pocket profile and attach it using 5x Metal Screws LB 3.5x9.5 each.

Figure 9: Fasten the limit profile



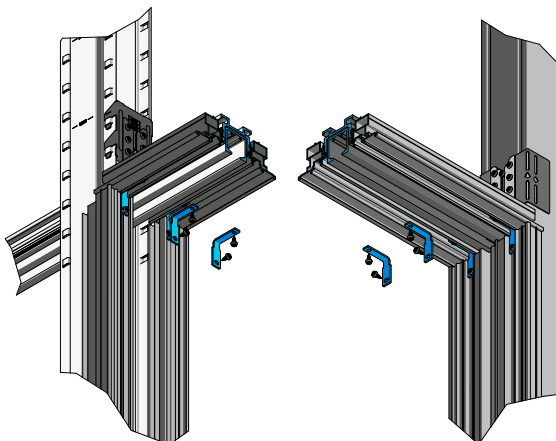
- Slide the limit profile onto the CW stud and attach it using 5 Metal Screws LB 3.5x9.5 on each side.

Figure 10: Installed state



- Installed state, reveal profile and limit profile.

Figure 11: Fit the bracing bracket



- Install the bracing brackets (4) in the corners of the profiles each using 2 Metal Screws LB 3.5x9.5.

Figure 12: 1st cladding layer – lintel area

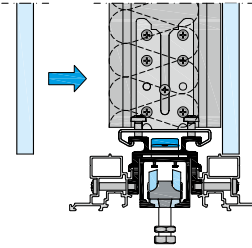
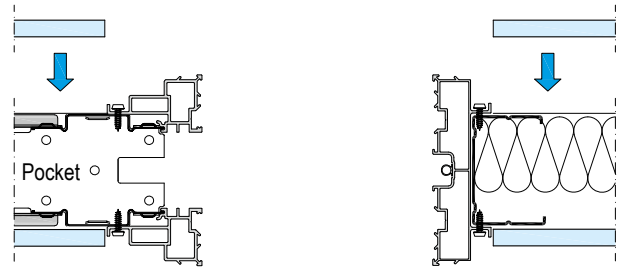


Figure 13: 1st cladding layer – pocket / limit area



- Install the 1st cladding layer to suit the planned wall/partition system. Use the screws from the Pocket Kit Easy in the pocket area of the Pocket Kit Easy and check the screw penetration depth to ensure that the door leaf is not damaged.

Figure 14: 2nd cladding layer – lintel area

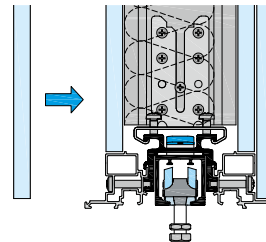
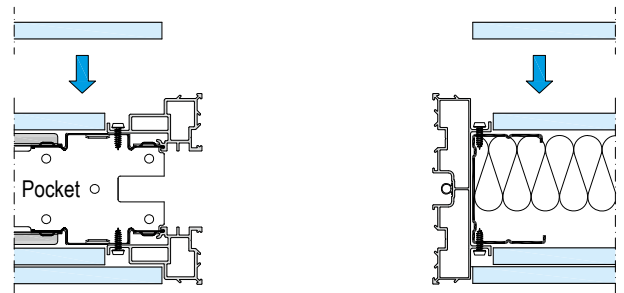
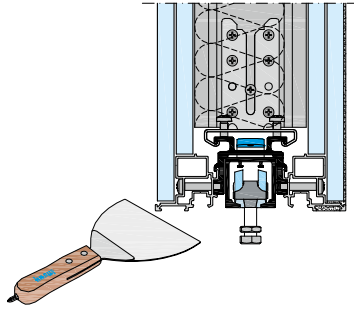


Figure 15: 1st cladding layer – pocket / limit area



- Install the 2nd cladding layer to suit the planned wall/partition system.

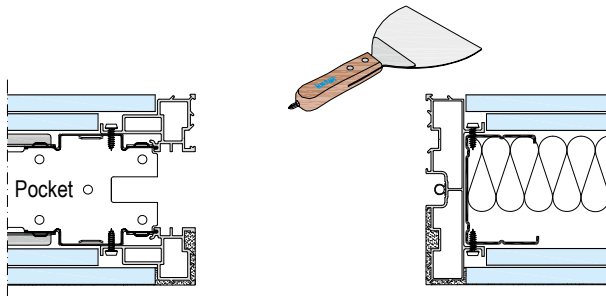
Figure 16: Jointing



11. Joint the plaster reveal and ensure that the groove into which the cover profile is clicked in remains free of joint plaster.

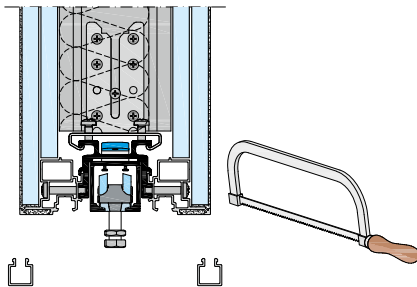
Note We recommend that you tape off the groove to keep it free of jointing material.

Figure 17: Jointing



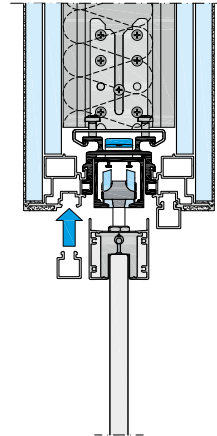
12. Joint the reveal profile and the limit profile.

Figure 18: Cut cover profile to fit



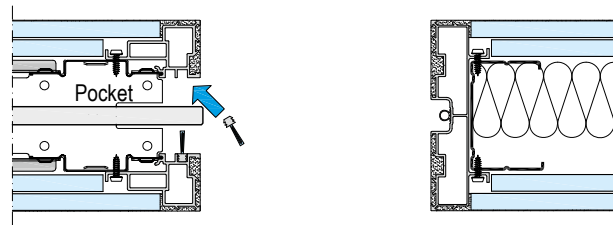
13. Cut the cover profile to fit the installation dimensions.

Figure 19: Apply the cover profile after the door leaf is installed.



14. After the surface is ready, the door can be installed and the cover profile applied.

Figure 20: Brush seal installation



15. Cut the brush seal to the rail length and then press the brush seal into the groove provided.



Videos for Knauf systems and products can be found under the following link:
youtube.com/knauf



The Knauf Infothek App now provides all the current information and documents from Knauf Gips KG at any time and in every location in a clear and comfortable way.
knauf.de/infothek

Knauf Direct
Technical Advisory Service:

knauf-direkt@knauf.com

www.knauf.de

Knauf Gips KG Am Bahnhof 7, 97346 Iphofen, Germany

All technical changes reserved. Only the current printed instructions are valid. The stated information represents current state-of-the-art Knauf technology. The entire state of approved engineering rules, appropriate standards, guidelines, and rules of craftsmanship are not included herewith. These and all application instructions have to be adhered to separately by the installer. Our warranty is expressly limited to our products in flawless condition. All application quantities and delivery amounts are based on empirical data that are not easily transferable to other deviating areas. All rights reserved. All amendments, reprints and photocopies, including those of excerpts, require our expressed permission.