

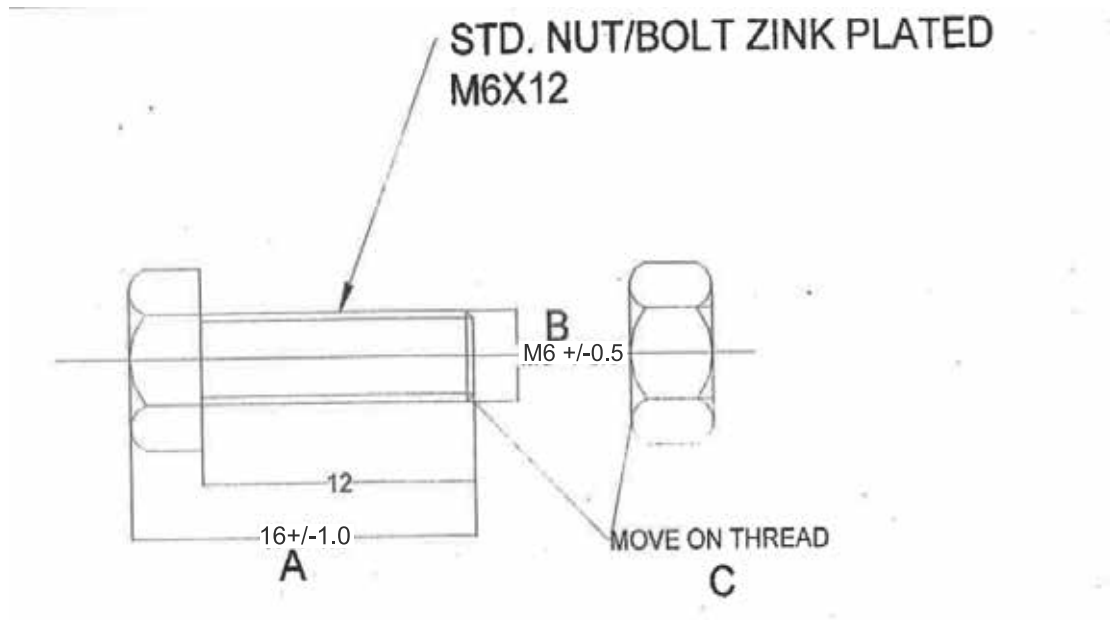
USGKnauf Nut & Bolt

USGKnauf Nut & Bolt are used to join two or more components together securely. Bolts typically consist of a threaded shaft with a head at one end.

Product Properties:

Description	Unit	Specifications
Full Length of Nut	mm	16
Length of Threaded Rod	mm	12
Diameter of Threaded Rod	mm	6

*For actual results, batch MTC shall be referred.



Applicable Standards:

USGKnauf Internal Test Method.

Knauf India Private Limited

Head Office: 9th Floor Plaza Tower, DLF
Phase-1, Gurugram - 122002, Haryana, India

Customer Care No: +91 - 9015147147

Email: info.india@knauf.com

www.usgknauf.com