

KNAUF

***KC40
Concealed Ceiling
Metal Profile***



Build on us.

KC40

General Information

- Made from 0.4 mm Cold Formed Steel dipped in Zinc or high quality Alloy Zinc.
- Safety guarantee with a larger cross section, make it able to bare a heavier load.
- Best used with Knauf Gypsum Board for the best efficiency.



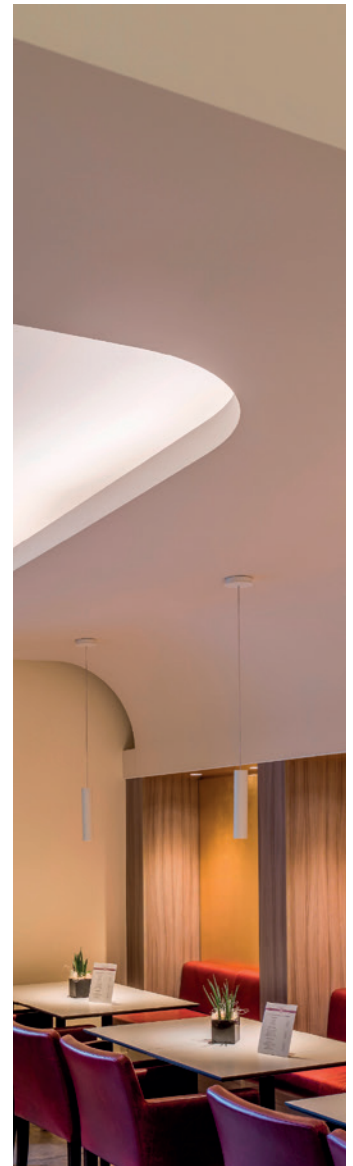
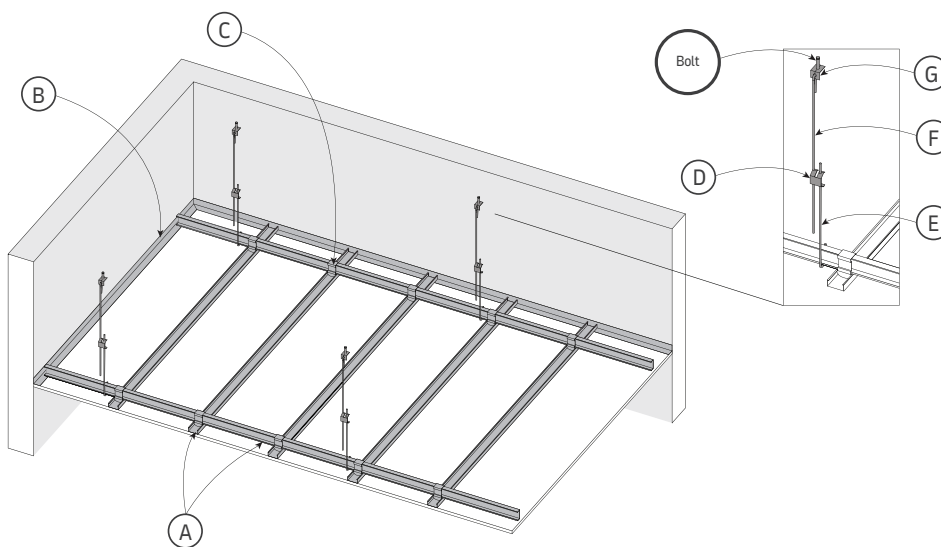
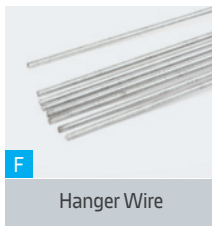
Cross Section : 14 x 35 mm

Thickness : 0.40 mm

Length : 4,000 mm

Tolerance following the TIS 50-2561 standard

KC40 System Components



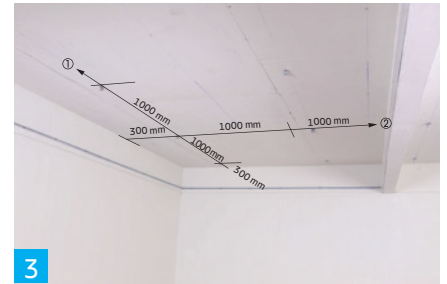
Instruction



1 Designate a ceiling level following the building plan and must include the thickness of gypsum board in the calculation using the water leveller or laser leveller.



2 Install a Wall Angle around the wall by screwing at every 300 mm interval and 50 mm from the end.



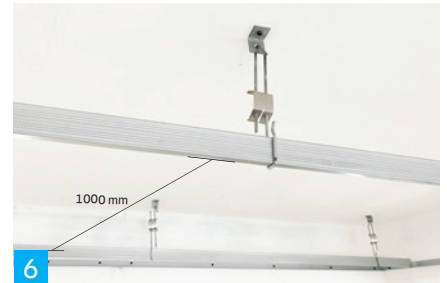
3 Designate the main C Line installation point start at 300 mm from wall and at every 1000 mm afterward. Then install a Bolt Angle at every 1000 mm using an Expansion Bolt to fix it.



4 Measure the length from the Bolt Angle to the Wall Angle and use the measurement to cut the Hanger Wire.



5 Build the hanging set by bending the end of the Hanger Wire then assemble with KC40 Adjustable Spring and KC40 Hook Wire. Then install it to the Bolt Angle.



6 Assemble the KC40 C Line to the hanger set with 1000 mm interval between each C Line.



7 Assemble the cross C Line to the main C Line at every 400 mm with KC40 Clip Lock and fix the end of cross C Line to the Wall Angle



8 Adjust the level of the ceiling profile to make sure it is parallel to each other before install the gypsum board



9 Install the gypsum board to the cross C Line using gypsum board screw 25 mm at every 300 mm in the middle of the board and every 200 mm around the edge



10 After the gypsum board installation, check the screw head. If it is exceed the gypsum board level, use a screwdriver to make it even.



11 Coating the screws head, and on the joints using the small trowel first, apply a Cotton Tape on top of it and leave them to dry out. Then apply another 2 layers of coating using a large trowel with 120 minutes rest between each layer.



12 After the compound is completely dry, polish with a sand paper then clean the surface before apply a paint.

KNAUF

The Siam Gypsum Industry (Saraburi) Co., Ltd.
Pakin Building, 5th floor, 9 Ratchadapisek Road,
Dindang, Bangkok 10400

+66 2 555 0015

marketingknaufgypsumthailand@knauf.com

www.knauf.com

Knauf Thailand

