

**METALWORKS
BAFFLES**



BENEFITS

- Attractive linear, ceiling system that screens the open plenum
- Flexible design enables “perimeter to core” or fully “discontinuous” solutions
- Fast and easy installation
- Heavy duty U-Profile suspension channel primary rail for integration of services
- Four standard colours including two “timberlook” finishes
- Two Baffle widths with flexible modules
- Baffles produced from durable extruded aluminium

APPLICATION AREAS

- Open plan spaces
- Foyers / lobbies
- Reception areas
- Airports / Transport terminals
- Waiting areas
- Meeting rooms
- Restaurants



COLOR SELECTION

Solid Color



White
9010



Black
9005

OPTIONALCOLOR

Wood Finish



Cherry



Red Oak

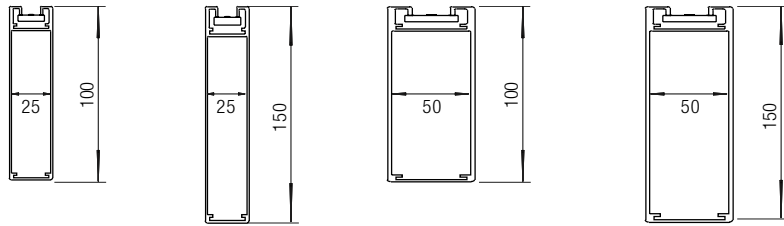
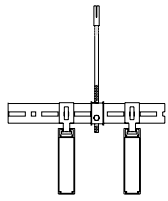


RAL Colors Available
on request

*Due to printing limitations, shades color may vary from actual product.

SIZE DETAILS

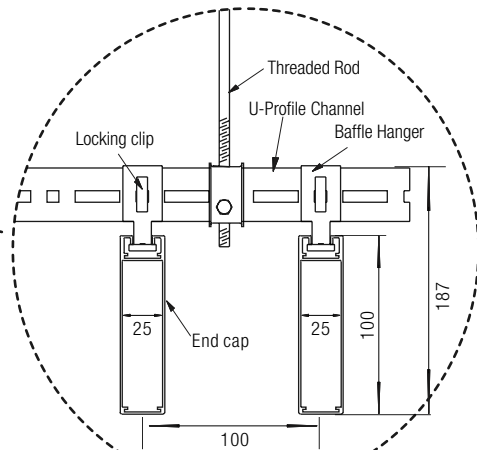
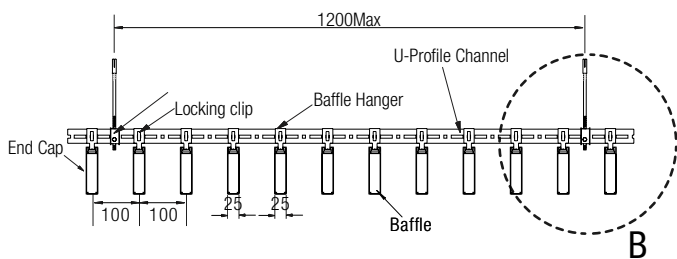
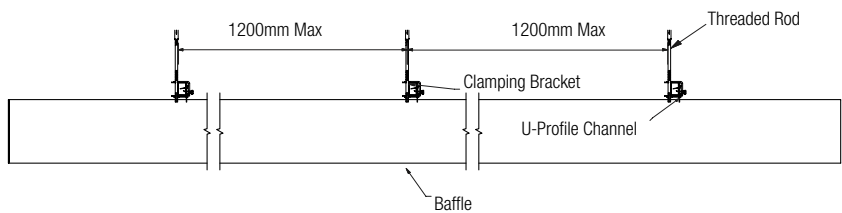
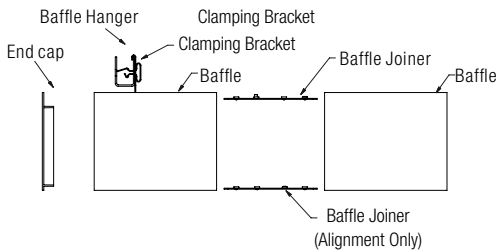
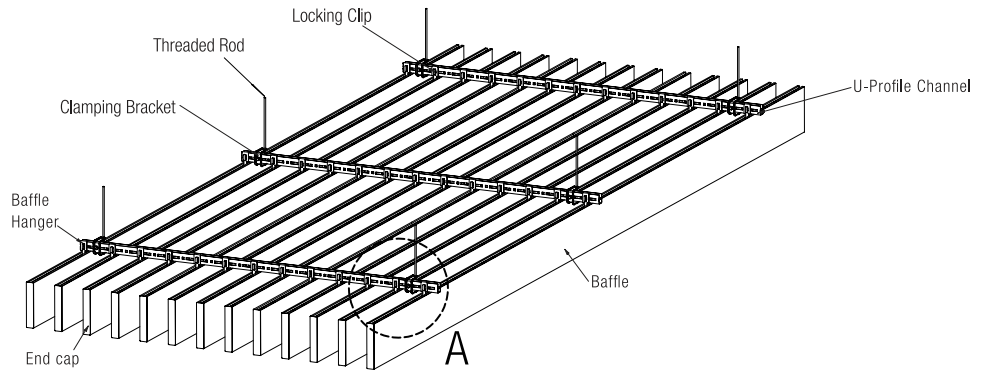
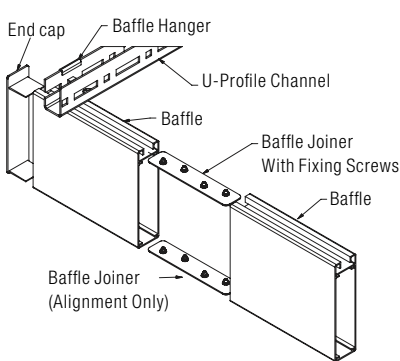
METALWORKS BAFFLES



Baffle

25x100x3600mm	✓
25x150x3600mm	✓
50x100x3600mm	✓
50x150x3600mm	✓

INSTALLATION DETAIL & ASSEMBLY DETAIL

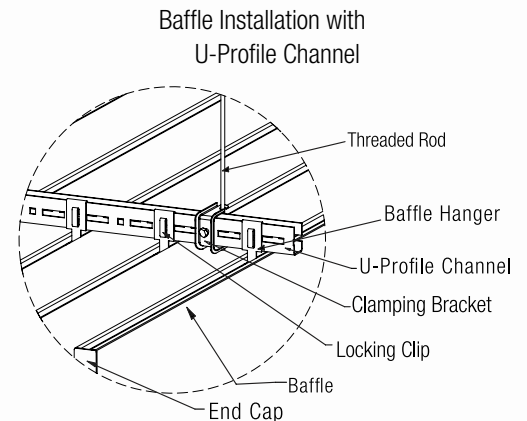


Detail "B"

ACCESSORIES

Item	Description	Dimension (mm)		
		Width	Height	Length
BAFE102536#	Al Baffle	25	100	3600
INDJOINML	Baffle Joiner	25	-	90
INDCAP25100BL	Baffle End Cap (metal)	25	100	-
Suspension System				
IND300100B	U-Profile Channel (Black)	20	30	3750
IND300119	U-Profile Connector	17	23	95
INDMBH25BL	Baffle Hanger for 25mm width	-	48	-
BPM300120	Locking Clip	-	-	-
IND300121	Clamping bracket	-	-	-

- * For baffle of size 50 x 100mm, please contact Sales Representative
- * Custom size of 25 x 150mm & 50 x 150mm available with MOQ of 500sqm.
- # Use Suffix Red Oak & Cherry



Detail "A"

PHYSICAL DATA

Material

Baffles are produced from extruded aluminium
End caps are produced from plastic or metal
Suspension System: Galvanised mild steel

Surface Finish

Factory applied polyester powder coat
End caps are finished in Black, with special colours upon application
Suspension System: Black

Flame Spread/Fire Resistance

Conforms to BCA Spec. C1.10 and tested to AS/NZS 3837: 1998 – "Group 1"
AS/NZS 1530.3

Weight

Weight (including U-Profile Channel at 1200mm centres)
100mm Baffles @100mm centres:
10.20 kgs/m²

Recommended Suspension System

U-Profile Channel to be suspended on 5mm Rod and Suspension Clips at 1200x1200mm centres. Baffles Installed at minimum 50mm centres.

CONTACT US

Knauf Ceiling Solutions (India) Private Limited

Dosti Pinnacle, Unit No 503, 5th Floor, Plot No E-7, Thane Industrial Area, Wagle Estate, MIDC, Thane West - 400604; Maharashtra, India.
Tel: 022-6285 0800, Fax: 2491 3604, Contact: 1860 266 7080
E-mail: helpdeskindia@knauf.com

