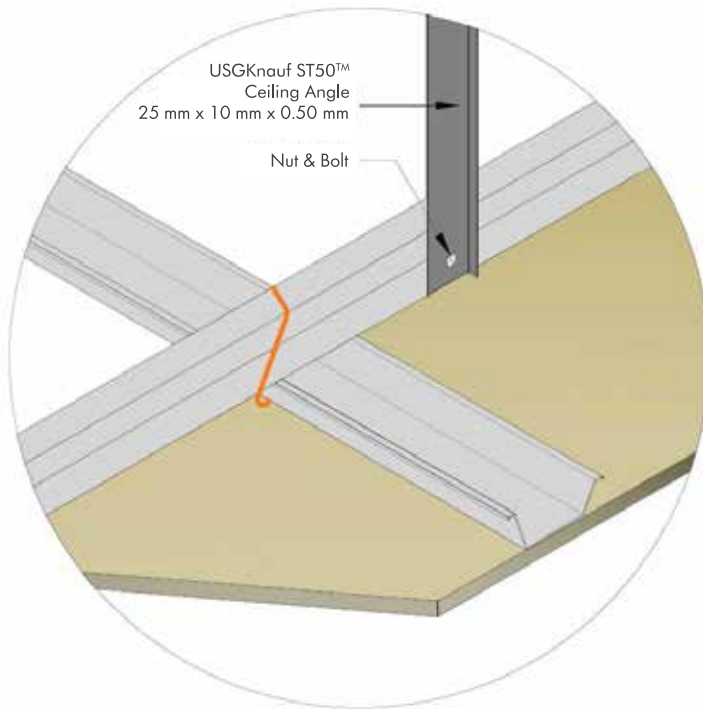


# **USGKnauf ST50™ Ceiling System**

## USGKnauf ST50™ Ceiling Angle



### Description:

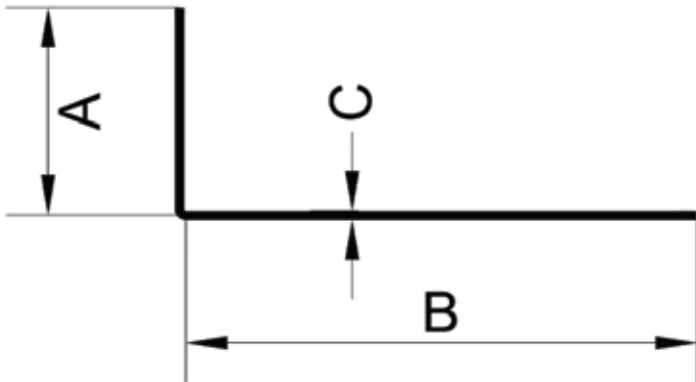
USGKnauf ST50™ Ceiling Angle is an integral part of USGKnauf Suspended Ceiling System. ST50™ Ceiling Angle is recommended to be used as a Ceiling Hanger to suspend Intermediate Channels from the Soffit/RCC with the Soffit Cleat and approved Fasteners.

These are rolled formed on specially designed automatic machines.

### Product Properties:

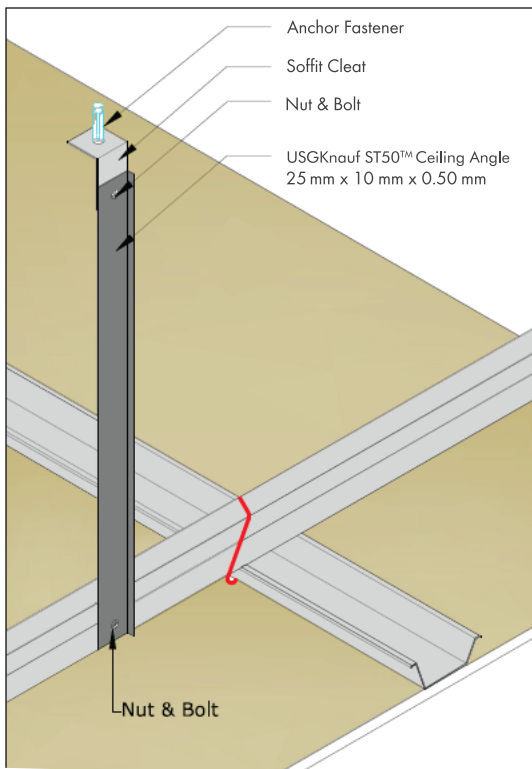
Description	Unit	Range
Flange (A)	mm	10 (+/-0.50)
Flange (B)	mm	25 (+/-0.50)
Thickness (C)	mm	0.50 (+/-0.05)
Standard Length	mm	3660 (+/-5)
Galvanizing	GSM	120 GSM as per IS277
Yield Strength	MPA	Min.230

## Drawing:



## False Ceiling ST50™ Farming:

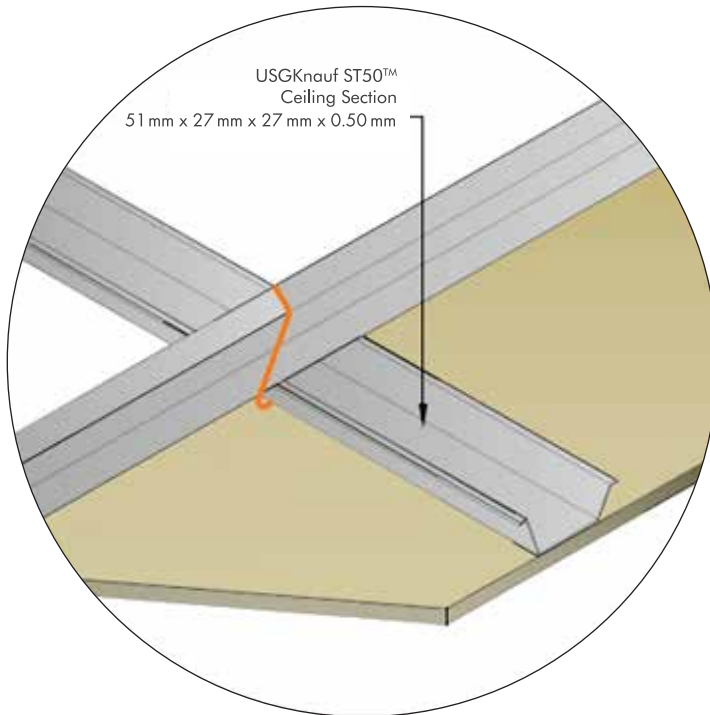
- The ST50™ Ceiling Angle to be spaced at 1220 mm / 900 mm / 600 mm centers both ways as per the design of specification.
- These are suspended as shown.



## Safety:

While handling & cutting of USGKnauf ST50™ Ceiling Angle, please adhere to the safety guidelines & wear the essential PPE.

## USGKnauf ST50™ Ceiling Section



### Description:

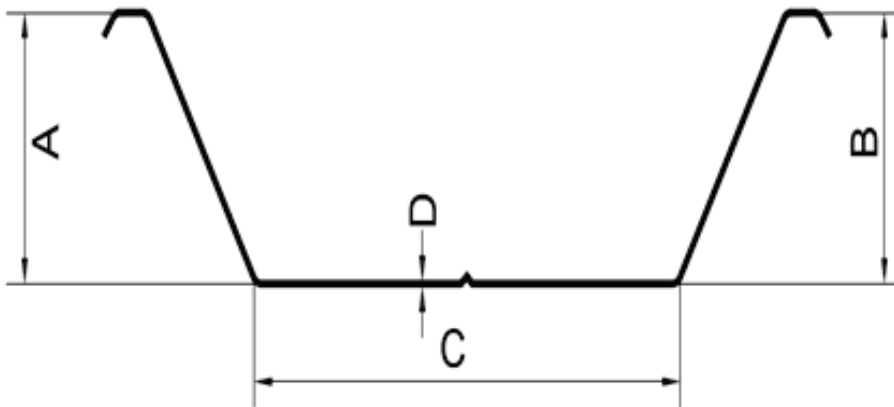
USGKnauf ST50™ Ceiling Sections are an integral part of USGKnauf Suspended Ceiling System. ST50™ GI Ceiling Section is recommended to be used, as a cross member are connected with Intermediate Channels through Connecting Clips. The Gypsum Plasterboards are secured to the ceiling sections and are always placed perpendicularly to the direction of the boards.

These are rolled formed on specially designed automatic machines.

### Product Properties:

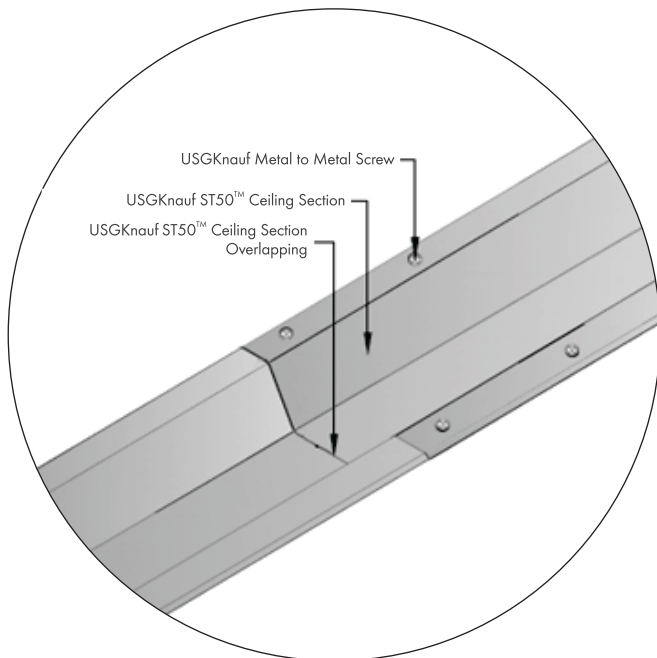
Description	Unit	Range
Flange (A)	mm	27 (+/-0.50)
Flange (B)	mm	27 (+/-0.50)
Web (C)	mm	51 (+/-0.50)
Thickness	mm	0.50 (+/-0.05)
Standard Length	mm	3600 (+/-5)
Galvanizing	GSM	120 GSM as per IS277
Yield Strength	MPA	Min.230

## Drawing:



## False Ceiling ST50™ Farming:

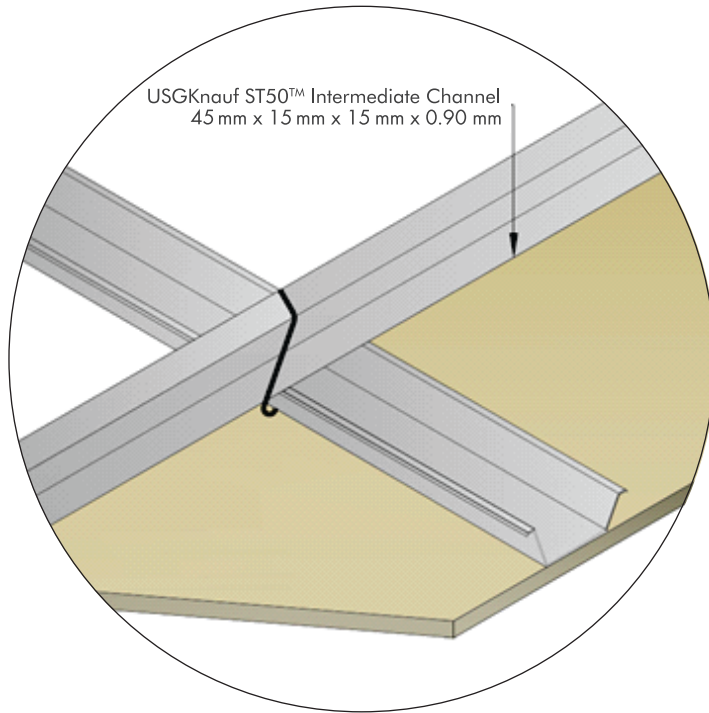
- The Ceiling Section spaced at 457 mm/300 mm centers as per specification.
- The Ceiling Section has two flanges which are of dimensions 27 mm each and web is 51 mm.
- This helps to meet the design considerations.



## Safety:

While handling & cutting of USGKnauf ST50™ Ceiling Sections, please adhere to the safety guidelines & wear the essential PPE.

## USGKnauf ST50™ Intermediate Channel



### Description:

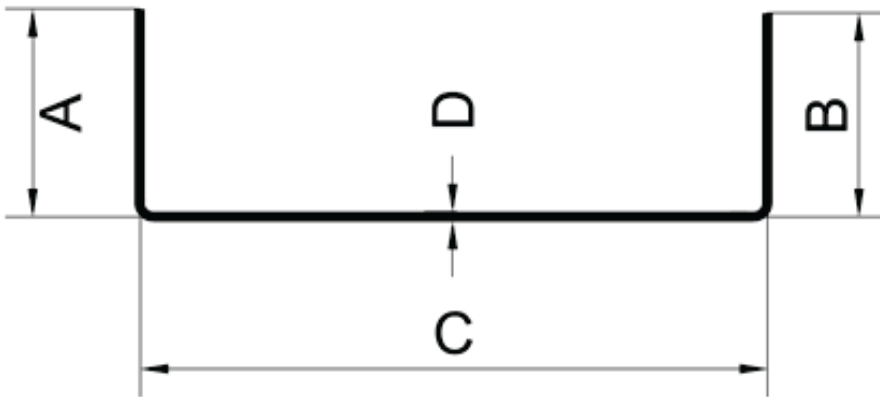
USGKnauf ST50™ Intermediate Channel is an integral part of USGKnauf suspended Ceiling System. ST50™ Intermediate Channel is the main member and is hung from the Soffit through Ceiling Angle, Soffit Cleat & Fasteners. It is positioned in perpendicular direction to the ceiling section and each intersection has Connecting Clips which keep both the sections in place.

These are rolled formed on specially designed automatic machines.

### Product Properties:

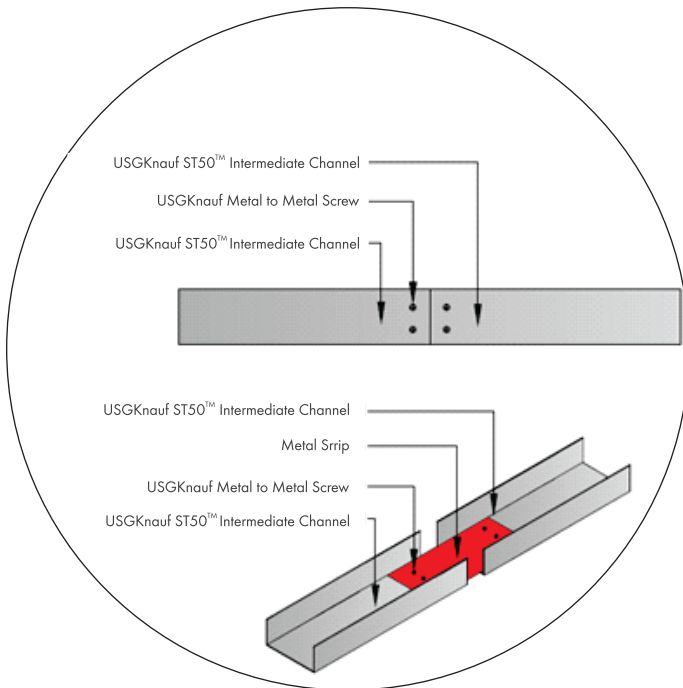
Description	Unit	Range
Flange (A)	mm	15 (+/-0.50)
Flange (B)	mm	15 (+/-0.50)
Web (C)	mm	45 (+/-0.50)
Thickness	mm	0.90 (+/-0.05)
Standard Length	mm	3600 (+/-5)
Galvanizing	GSM	120 GSM as per IS277
Yield Strength	MPA	Min.230

## Drawing:



## False Ceiling ST50™ Farming:

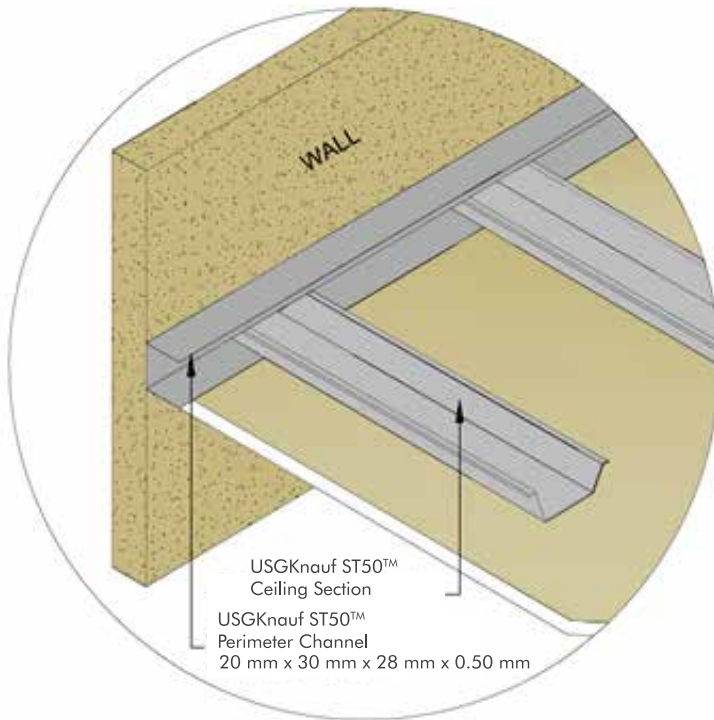
- The Intermediate Channel spaced at 1220 mm /900 mm /600 mm centers as per the design of the ceiling system.
- These are overlapped/extended as shown below at 150 mm centers.



## Safety:

While handling & cutting of USGKnauf ST50™ Intermediate Channel, please adhere to the safety guidelines & wear the essential PPE.

## USGKnauf ST50™ Perimeter Channel



### Description:

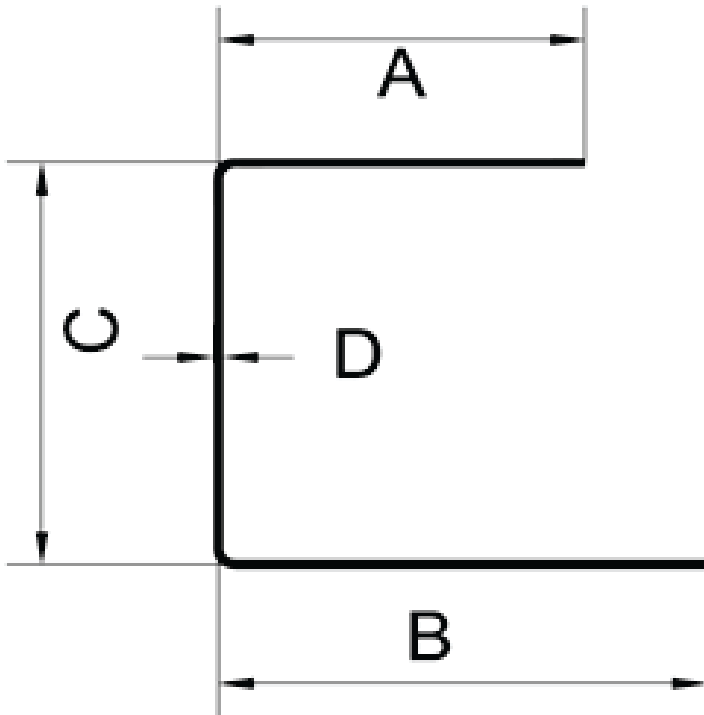
ST50™ Perimeter Channel is an integral part of USGKnauf Suspended Ceiling System. ST50™ Perimeter Channel is used to fix at the periphery of the brick wall/drywall to receive end of ceiling sections and Intermediate Channel on top. This acts as the frame for the false ceiling.

These are rolled formed on specially designed automatic machines.

### Product Properties:

Description	Unit	Range
Flange (A)	mm	20 (+/-0.50)
Flange (B)	mm	30 (+/-0.50)
Web (C)	mm	28 (+/-0.50)
Thickness	mm	0.50 (+/-0.05)
Standard Length	mm	3600 (+/-5)
Galvanizing	GSM	120 GSM as per IS277
Yield Strength	MPA	Min.230

## Drawing:



## False Ceiling ST50™ Farming:

ST50™ Perimeter Channel is fixed to brick wall/drywall with approved PVC plugs and steel screws at 600 mm c/c.

## Safety:

While handling & cutting of USGKnauf ST50™ Perimeter channel, please adhere to the safety guidelines & wear the essential PPE.

### Knauf India Private Limited

**Head Office:** 9<sup>th</sup> Floor, Plaza Tower, DLF Phase -1, Gurugram - 122002, Haryana, India

**Customer Care No:** +91 - 9015147147

**Email:** info.india@knauf.com

[www.usgknauf.com](http://www.usgknauf.com)