

Knauf – One of worldwide market leaders in providing customers with light-weight material solution

Knauf Group, a German-based global company operating across 90 countries worldwide, acquired Sheetrock as part of its acquisition of USG in 2018. The synergies from this acquisition increases Knauf's capability to provide products and systems for light-weight building material that are environment-friendly, energy-efficient, and fairly-priced to help customers work and build better.”

*Knauf – One of leading German brands for builders to Build a Better Living Space.*



**KNAUF VIETNAM CO., LTD.**

HO CHI MINH OFFICE:  
7th Floor, Harbour View Tower,  
35 Nguyen Hue Street, Sai Gon Ward,  
Ho Chi Minh City, Vietnam.

Tel: +84 28 3915 1400  
Fax: +84 28 3915 1405

HO CHI MINH Plant:  
Lot B3a, Hiep Phuoc Industrial Zone,  
Hiep Phuoc Commune,  
Ho Chi Minh City, Vietnam.

Tel: +84 28 3781 8439  
Fax: +84 28 3781 8440

HANOI OFFICE:  
Office Area – No. 29 Lieu Giai  
Street, Ngoc Ha Ward,  
Ha Noi City, Vietnam.

Tel: +84 24 3791 8412  
Fax: +84 24 3791 8413

HAI PHONG Plant:  
Land Plot CN4.4A, Dinh Vu IP, Dinh Vu Cat  
Hai Economic Zone, Dong Hai Ward,  
Hai Phong City, Vietnam.

Tel: +84 225 883 0660  
Fax: +84 225 883 0686

[knauf.com/vi-vn](https://www.knauf.com/vi-vn) | [info-vn@knauf.com](mailto:info-vn@knauf.com) | <https://www.facebook.com/knaufvietnam>

**Remarks:** Information provided is for reference purpose only. Products, specifications and requirements may vary according to geographical locations and applications. As each project is unique, please contact your nearest Knauf representative for further product, solution and technical supports.

This document is owned by Knauf Vietnam Co., Ltd. Last update: 04/2026

**KNAUF**

**ULTRALIGHT**

*Premium Gypsum Board*

EPD Verified Product

*Build on us.*

**KNAUF**

# ULTRALIGHT

Eco-friendly material for premium human living spaces

## UltraLight

UltraLight plasterboard is designed and manufactured according to the advanced technology. Providing the comprehensive anti-sagging solution in Vietnam. Sustainable and lightweight gypsum board for ceiling application in commercial and residential buildings.

## Advantages

- Eco-friendly material for sustainable buildings.
- Lightweight for fast and efficient installation.
- German brand, built for lasting durability.

## Full system from Knauf

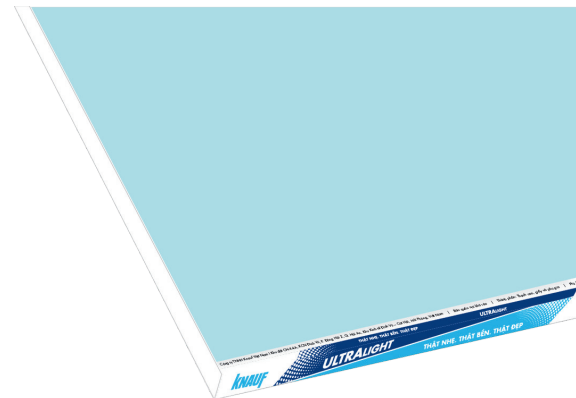
UltraLight should be installed in full system with Knauf's ceiling Metal Profiles or System which are under Knauf's approval in order to achieve highest performance.

## Product Specification

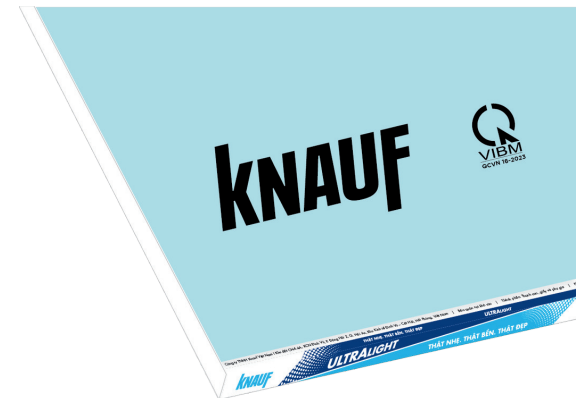
Thickness (mm)	Width (mm)	Length (mm)	Edges
9	1210	2420	Squared
	1220	2440	Squared

Values in above table are nominal and tolerance in compliance with the standard required. Other edges and sizes are made to order.

Front side



Back side



KNAUF ULTRALIGHT

The actual product color can be seen on the attached sample board.



## Compliance

- QCVN 16:2023/BXD
- TCVN 8256 (\*)
- ASTM C1396 (\*)



(\*) Made to order

## Storage & Installation

Stored and installed in dry, non-wet conditions (not under the impact of rain, seepage and poor ventilation in prolonged high humidity condition).

# TRUSTED SOLUTIONS FROM GERMANY

**WARRANTY 5 YEARS** ★★★★★



German Brand



Full system solution

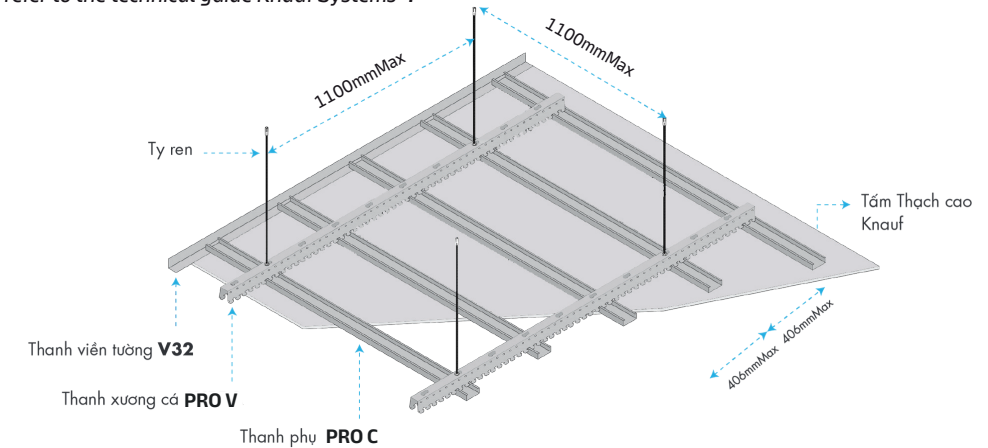


Aesthetic and environment friendly

## Knauf Concealed Ceiling System

Concealed System	Thickness (mm)	Layer of Board	Max main runners span - center to center (mm)	Max cross runners span - center to center (mm)
Ultra	9	1	1200	406
Pro	9	1	1100	406
Xtra	9	1	1000	406

Values in above tables are nominal and for indicative purposes only. The span should be calculated depending upon actual installed conditions. Further details, please refer to the technical guide Knauf Systems+.



## Sustainability

UltraLight contributes to achieve the Sustainability certification at building projects:

### LEED v4

- EA : Optimize Energy Performance
- MR : Building Life Cycled Impact Reduction
- MR : BPDO - Environmental Product Declaration (EPD)
- MR : BPDO - Sourcing of Raw material
- MR : BPDO - Material Ingredients (HPD)
- EQ : Low-Emitting materials (VOC report)

## Scan to get the documents



EPD  
INTERNATIONAL EPD SYSTEM



HPD



VOC



CD