



Drywall Systems

E311-A01.de

Assembly Instructions 2018-03

Cleaneo Up Assembly Instructions

Cleaneo **S**ingle

Contents

Introduction

General instructions	3
Usage instructions.....	3
Legal notes.....	3
Qualified personnel.....	3
Intended use of products and systems.....	3

Installation

Introductory remarks	4
General.....	4
Scope of delivery.....	4
Required accessories.....	4
Safety instructions.....	4
Installation and adjustment of the suspension	5
Installation of the suspension and alignment of the canopy	6

Usage instructions

Notes on the document

This installation guide is intended as an aid for the installation of prefabricated products. It contains specifications on the scope of delivery, proper professional installation as well as test and adjustment of the product when necessary. The contained information and specifications, constructions, details and stated products are based, unless otherwise stated, on the certificates of usability (e.g. National Technical Test Certificate (abP) and/or German National Technical Approvals (abZ)) valid at the date they are published as well as on the applicable standards. Additionally, design and structural requirements and those relating to building physics (fire resistance and sound insulation) are considered where required.

References to other documents

Technical brochures

- AK01.de Room Acoustics with Knauf – Fundamentals and concepts
- AK02.de Room Acoustics with Knauf – Data for planning

Legal notes

Safety instructions

This installation guide contains instructions that must be observed to ensure your personal safety and to avoid material damage.

Caution

Indicates a potentially harmful situation. If this is not avoided, the safety of the installation personnel or end user may be impaired and/or damage to the product or surrounding area may result.

Note

Provides useful information on the product or system.

Qualified personnel

The respective tasks for the product/system described in this guideline may only be performed by suitably qualified personnel. The safety and warning notes must be observed. Qualified personnel are those who, based on their training and experience, are capable of identifying risks and avoiding potential hazards when working with these products/systems.

Intended use of products and systems

Please observe the following:

Caution

Knauf products/systems may only be used for the application cases as stated in the Knauf documentation. In case third-party products or components are used, they must be recommended or approved by Knauf. Flawless application of products/systems assumes proper transport, storage, assembly, installation and maintenance.

General

Caution Wear gloves during installation to protect the Cleaneo Single Cleaneo Up Up against dirt and stains.

Scope of delivery

The following parts are contained in the scope of delivery:

- Cleaneo Up canopy, for specified dimensions see Image 2 and Image 3
- Cleaneo Up cord suspension, see Image 1, consisting of
 - 4 x hanger pods
 - 4 x hanger top
 - 4 x wire 2.27 m
 - 4 x wire cord holders

Image 1: Cleaneo Up cord suspension



Note Cleaneo Up is available in two sizes:

- 1000 x 2000 mm
- 800 x 1600 mm

Image 2: Cleaneo Up dimensions 1000 x 2000 mm

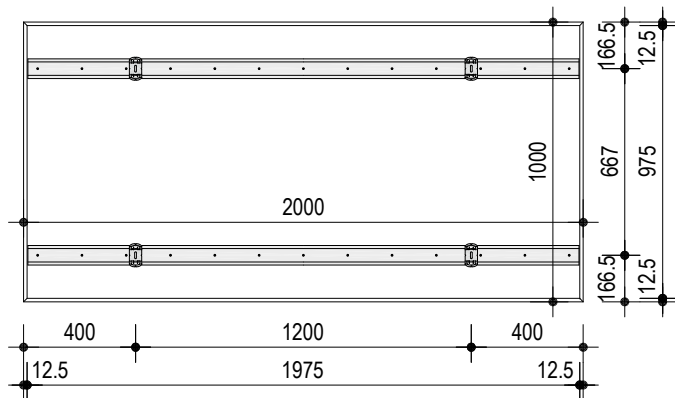
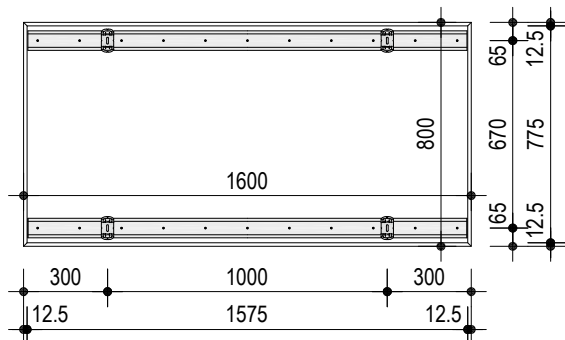


Image 3: Cleaneo Up dimensions 800 x 1600 mm



Required accessories

The following accessories are required for installation of the Cleaneo Up: Fasteners and anchors suitable for the substrate, e.g.

- Fischer Nagelanker FNA II 6 nail anchor with M6 thread on concrete
- Knauf Grobgewindeschraube TN 3.9 x 35 large thread screw on wood

Safety instructions

Caution The cord suspension is only intended for attaching the Cleaneo Up canopy without additional loads.
The wire cord holder is not suitable or intended to connect two wire cords (extensions).

Installation of the Cleaneo Up suspension

Image 4: Transfer of the suspension points



1. Transfer the position of the 4 suspension points, e.g. using a self-made template on the ceiling, see Image 4.

Image 5: Drill the holes for the suspension



2. Drill 4 holes for the suspenders, see Image 5.

Image 6: Installation of the anchors/fasteners



3. Install the appropriate anchor/fasteners for the substrate, see Image 6, and fix the hanger pod, e.g. for concrete use Fischer Nagelanker FNA II 6 nail anchor with M6 thread; for wood use Knauf Grobgewindeschraube TN 3.9 x 35 large thread screw.

Image 7: Hanger top with wire cord and hanger pod



Image 8: Suspenders on the ceiling



4. Thread the wire through the hanger top, see Image 7, and screw it onto the hanger pod on the ceiling, see Image 8.

Proceed as follows for installation and adjustment of the Cleaneo Up suspension:

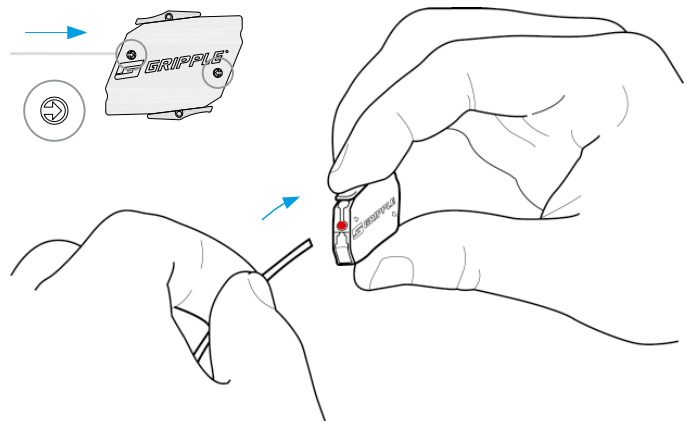
Note

In order to attach the Cleaneo Up to the ceiling and align it, you will require the corresponding equipment (e.g. board lifter) or 2 people who will hold the Cleaneo Up.

Note

Small arrows on the wire cord holder define the insertion direction, see Image 9.

Image 9: Threading of the wire cord



5. Thread the wire cord into the hole in the centre of the wire cord holder, see Image 9. Please note the arrows on the wire cord holder to ensure that the cord is introduced correctly.

Image 10: Wire cord passed under the direct bracket



6. Thread the wire cord under the direct bracket on the Cleaneo Up canopy, see Image 10.

Image 11: Looping of the wire cord



7. Thread the wire cord back through the second hole of the wire cord holder so that it forms a loop, see Image 11.
8. Repeat the installation steps for the remaining suspenders.

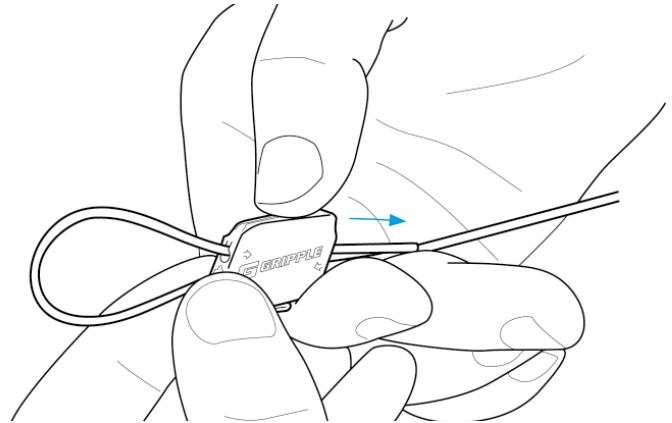
If necessary, the direct brackets can be offset by a maximum of 10 cm to their original position.

Caution With inclined suspension, secure all 4 direct brackets each on both sides with metal screws type LN in the CD channel.

Proceed as follows to align the canopy:

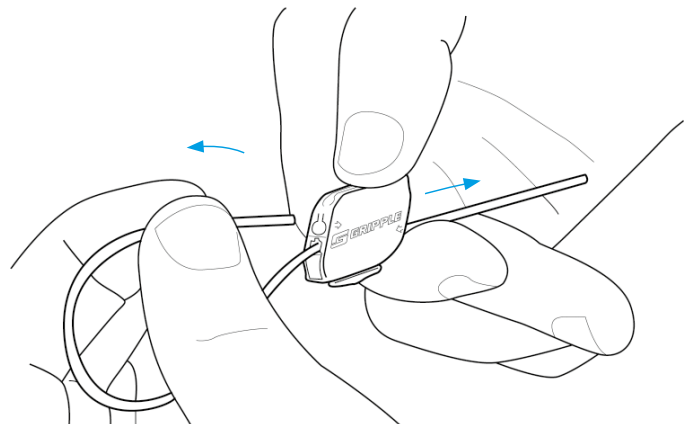
Caution Never adjust the wire cord holder under load.

Image 12: Adjustment of the suspension



9. Take the load off the wire cord holder (raise the Cleaneo Up unit) and press the adjustment button opposite the wire cord aperture, see Image 12.

Image 13: Adjustment of the suspension mount



10. Adjust the wire cord while pressing the adjustment button, see Image 13. Release the button as soon as the desired setting has been found. The wire cord holder can be loaded normally again.
11. Shorten the cord end if required.



The iPad App Knauf Infothek now provides all the current information and documents from Knauf Gips KG at any time and in every location in a clear and comfortable way.

Knauf Infothek

Knauf Direct
Technical Advisory Service:

▶ knauf-direkt@knauf.de

▶ www.knauf.de

Knauf Gips KG Am Bahnhof 7, 97346 Iphofen, Germany

All technical changes reserved. Only the current printed instructions are valid. The stated information represents current state-of-the-art Knauf technology. The entire state of approved engineering rules, appropriate standards, guidelines, and rules of craftsmanship are not included herewith. These and all application instructions have to be adhered to separately by the installer. Our warranty is expressly limited to our products in flawless condition. All application quantities and delivery amounts are based on empirical data that are not easily transferable to other deviating areas.

All rights reserved. All amendments, reprints and photocopies, including those of excerpts, require our expressed permission.