

#### Note on English translation / Hinweise zur englischen Fassung

This is a translation of the product data sheet valid in Germany.

All stated details and properties are in compliance with the regulations of the German standards and building regulations. They are only applicable for the specified products, system components, application rules, and construction details in connection with the specifications of the respective certificates and approvals.

Knauf Gips KG denies any liability for applications outside of Germany as this requires changes acc. to the respective national standards and building regulations.



Drywall Systems

E123.de

Product Data Sheet

2022-12

## REVO BS90 Decke

Access panel for Knauf ceiling systems with fire resistance

### Product description

REVO BS90 Decke is an access panel consisting of:

- Anodised aluminium outer frame
- Openable and fully detachable hatch
- Flush screw fastened Knauf Feuerschutzplatten fire-resistant board GKF ex-works
- Seal

### Properties and added value

- All-purpose use for cladding thickness 32.5 and 40 mm
- Can be retrofitted

### Field of application

Installation in the Knauf ceiling systems with 90 minute fire resistance (F60 and F90) with cladding thicknesses of 32.50 and 40 mm.

## Access panel for Knauf ceiling systems with fire resistance

### System variants

Fire resistance class		System		Cladding (lateral application)			Furring channel	Use up to access panel design	Insulation layer		
For fire exposure		D112.de Knauf board ceiling with metal grid	D116.de Knauf board ceiling with large-span flush metal grid	Knauf Piano fire-resistant board	Massivbauplatte Solid Board	Fireboard	Minimum thickness mm	Max. axial clearances mm <b>b</b>	Width x length mm	Required for fire resistance	
From below	From above									Min. thickness mm	Minimum density kg/m <sup>3</sup>
F60	–	•		•	•		20 + 12.5	500	800 x 800	Without	
F90	–	•	plus		•		2x 20	500	800 x 800	or	
		plus	plus		•		2x 20	500	800 x 800	Mineral wool <b>G</b>	
F90	F90	•			•		2x 20	500	800 x 800	Mineral wool <b>S</b> 40 40	
		plus				•	2x 20	500	600 x 600	Mineral wool <b>S</b> 40 40 + 150 mm wide on carrying channel	

**S** Mineral wool insulation layer acc. to EN 13162, non-combustible, melting point  $\geq 1000$  °C acc. to DIN 4102-17 (insulating material, e.g. from Knauf Insulation)

**G** Mineral wool insulation layer acc. to EN 13162, non-combustible (insulating material, e.g. from Knauf Insulation)

### Certificates of Usability

#### Fire resistance proofs

- AbP P-2100/347/17-MPA BS (F60)
- AbP P-3400/4965-MPA BS (F90)

The specifications marked with **plus** offer additional application options, which are not directly included in the Proof of Usability. On the basis of our technical assessments, we assume that these marked design solutions can be assessed as a non-significant divergence. On request, we can make the documentation on which this assessment is based, such as experts opinions or technical assessments, available to you together with the Proofs of Usability. We recommend that a non-significant divergence be coordinated and authorised in advance in consultation between the persons responsible for fire resistance and/or the relevant authorities.

### Installation

#### Trimmer

Arrange trimmers made of CD channels in accordance with the dimension of the access panel in the ceiling frame. Mount 4 additional rigid suspenders in the corner areas of the access panel.

Screw the surrounding GKF strips (included in scope of delivery) onto the grid profiles.

See the design details and the scheme drawings on the following pages.

#### Cladding

Cut out opening in the ceiling cladding approx. 20 mm larger than the access panel size (= clearance + 35 mm). Screw fasten the ceiling cladding to the CD trimmer profile also.

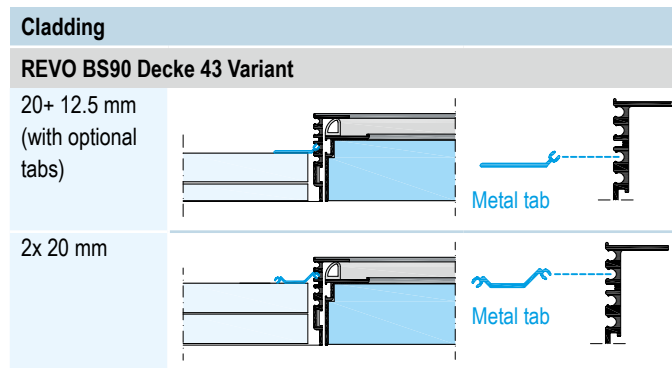
If the distance to the installations in the ceiling is less than 200 mm, the installation of the outer frame in the gypsum board together with the cladding installation (swivelling into the cladding already installed not possible).

### Retrofitting

The cladding must be sawed out in case of subsequent installation of the access panel. The opening should be backed with circumferential profile pieces (CD Channels, 45 mm required edge spacing for contact surfaces of the tabs and GKF strips must be considered) and fixed with screws (screw spacing  $\leq 150$  mm). Screw the surrounding GKF strips (included in scope of delivery) onto the grid profiles.

### Installation of the access panel

Install the supplied tab parts corresponding to the relevant cladding thickness of the Knauf systems.



At least:

- 1 metal tab per panel side or alt. 2 metal tabs per lock/hinge side with dimensions  $\leq 400 \times 400$  mm
- 2 metal tabs per panel side for dimension  $\leq 600 \times 600$  mm
- 3 metal tabs per panel side for dimension  $\leq 800 \times 800$  mm

Place outer frame of the access panel in the opening, lay it on the cladding with the tabs, align and attach with screws.

Use Schnellbauschrauben TB screws (two screws per metal tab) for the attachment of the frame to the cladding. The required screw length depends on the cladding thickness.

Subsequently place the GKF cover (included in the scope of delivery) onto the trimmers profiles and apply GKF strips around the circumference and attach.

Insert the hatch and check the lock for proper functioning.

**Jointing**

Fill outer frame of the suspended ceiling access panel and the ceiling surface fully with Uniflott or Fireboard-Spachtel filler depending on the cladding type. It is not necessary to fill or skim the inner frame to surface quality Q2. Fill in screw heads. In case of surface quality level Q3 scrape skim the hatch face. Clean outer frame, hatch, and in particular the seal thoroughly after filling.

**Notes**

- With rectangular ceiling access panels, the lock and hinge system is always mounted as standard on the long side.
- No cladding board joints are allowed near the access panels.
- Observe the installation instructions enclosed with the product.
- Construct the Knauf systems in accordance with the respective Knauf system data sheets.

**Coatings and linings**

Surface treatment of the access panels with gypsum board inlays in acc. with [system data sheet Knauf Board Ceilings D11.de](http://system_data_sheet_Knauf_Board_Ceilings_D11.de).

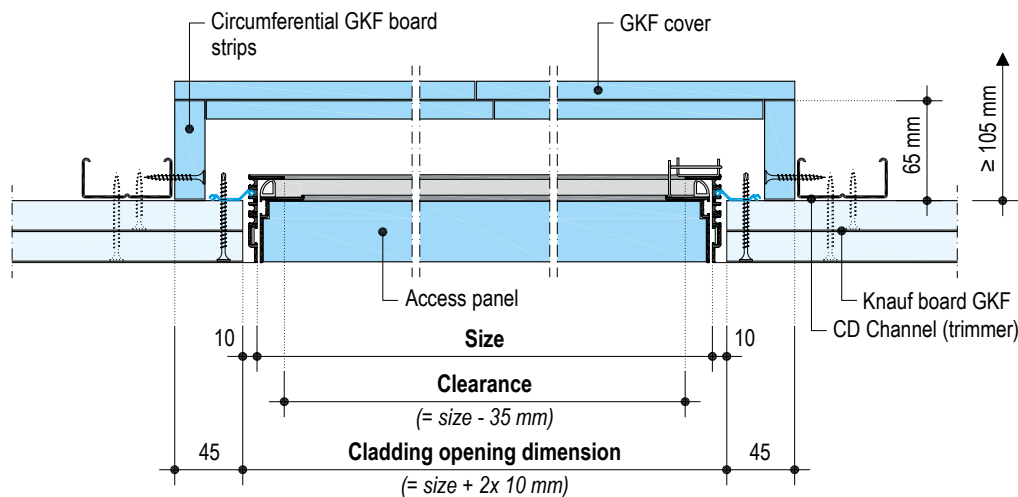
**Notes for the painter**

Generally remove the access panel hatch before painting separately so that no paint penetrates the narrow joint between the hatch and the outer frame. Clean any paint remnants from the frame.

**Design details**

**E123.de-V1 REVO BS90 Decke – Vertical section – F90 solely from below**

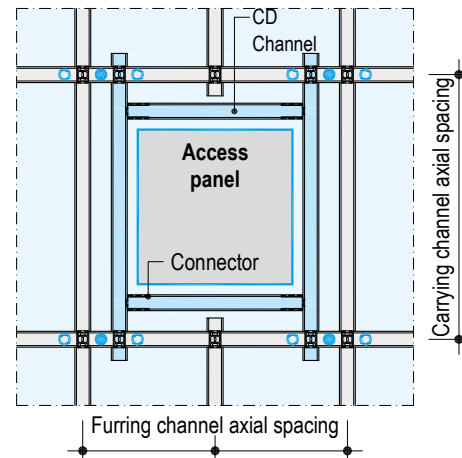
e.g. version 2x 20 mm



- 1) Scope of delivery
- 2) Board strips can be shortened at cladding thickness 2x 20 mm to 50 mm
- 3) Clearance to basic ceiling / installations

**Example – Scheme drawing**

**Double layer profile grid**



- Additional grid
- 4 additional suspension points (e.g. Nonius suspension)
- Alternative suspension points

Universal connectors are required for the trimmer. Further suspenders are required if the suspended profiles are to be exchanged.

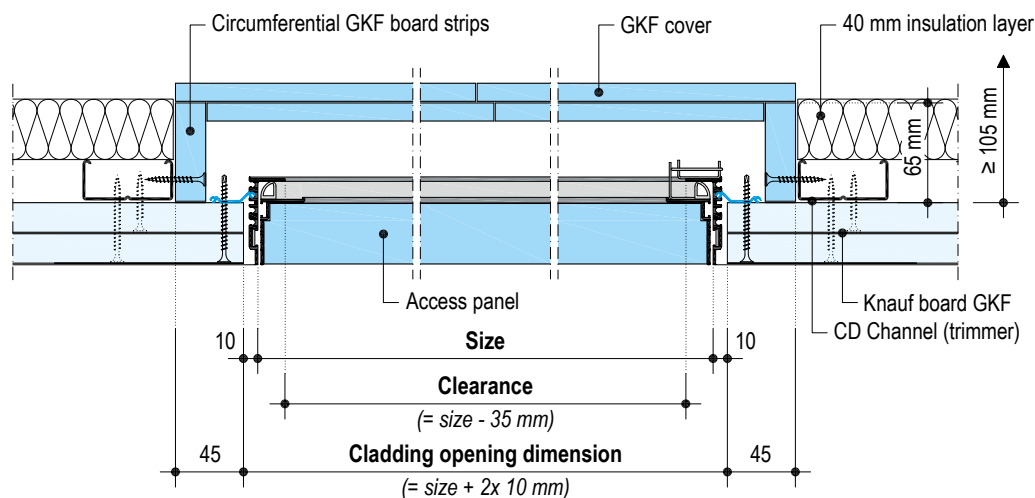
Scale 1:5 | Dimensions in mm

## Design details (continued)

Scale 1:5 | Dimensions in mm

## E123.de-V2 REVO BS90 Decke – Vertical section – F90 solely from below and from above

e.g. version 2x 20 mm



1) Scope of delivery

2) Board strips can be shortened at cladding thickness 2x 20 mm to 50 mm

3) Clearance to basic ceiling / installations

## Product range

Description	Dimensions mm	Weight kg/piece	Packaging unit	Material number	EAN
REVO BS90 Decke 43 Variant	300 x 300	10.5	1 piece / pack	00220803	4003982232380
	400 x 400	16.2		00220804	4003982232397
	500 x 500	22.8		00220805	4003982232403
	600 x 600	33.0		00220806	4003982232410
	Custom	–		00173991	4003982214010

## Required specifications for ordering

- Dimension of the access panel (width x length)
- Cladding thickness
- Additional options / special designs

## Additional options / special designs

- Intermediate dimensions at least 300 x 300, maximum 800 x 800 mm
- Airtight and dust-proof access panel (EN 1026 + 12207 class 4, suction and pressure)
- Four-square bolt
- Round cylinder lock
- Lock designed for profile cylinder



The Knauf Infothek App now provides all the current information and documents from Knauf Gips KG at any time and in every location in a clear and comfortable way.

[Knauf Infothek](#)

## Knauf Direct

Technical Advisory Service:

▶ [knauf-direkt@knauf.com](mailto:knauf-direkt@knauf.com)

▶ [www.knauf.de](http://www.knauf.de)

**Knauf Gips KG** Am Bahnhof 7, 97346 Iphofen, Germany

All technical changes reserved. Only the current printed instructions are valid. The stated information represents current state-of-the-art Knauf technology. The entire state of approved engineering rules, appropriate standards, guidelines, and rules of craftsmanship are not included herewith. These and all application instructions have to be adhered to separately by the installer. Our warranty is expressly limited to our products in flawless condition. All application quantities and delivery amounts are based on empirical data that are not easily transferable to other deviating areas.

All rights reserved. All amendments, reprints and photocopies, including those of excerpts, require our expressed permission.