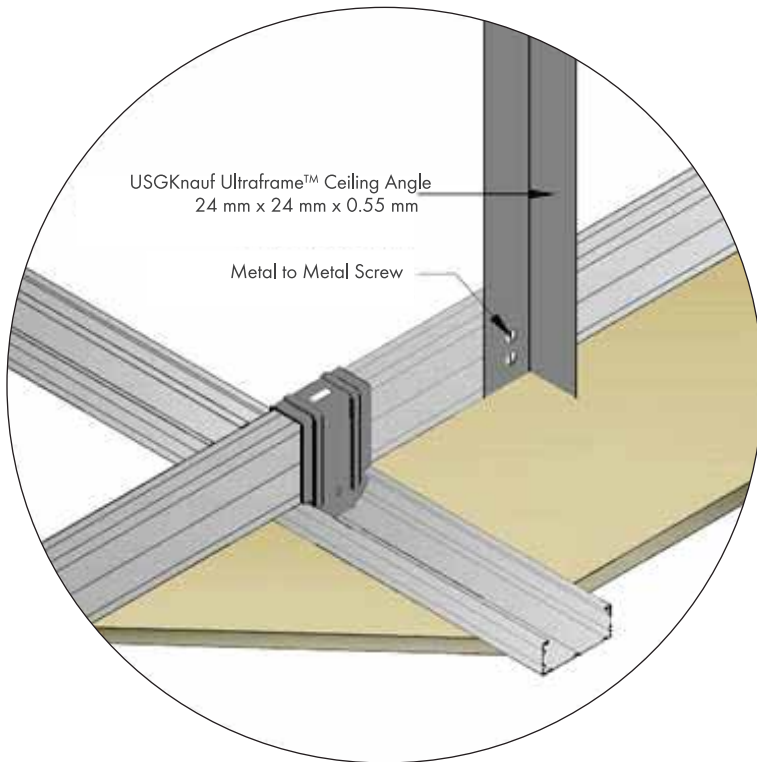


USGKnauf Ultraframe™ Ceiling System

USGKnauf Ultraframe™ Ceiling Angle



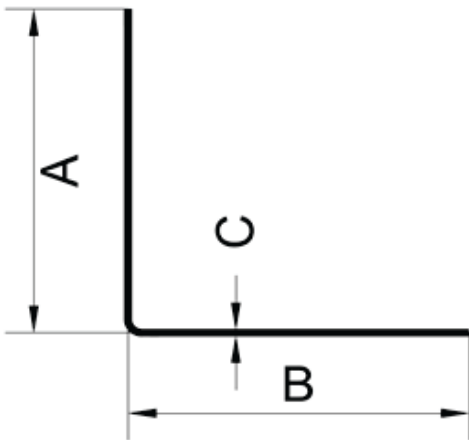
Description:

USGKnauf Ultraframe™ Ceiling Angle is an integral part of USGKnauf Suspended Ceiling System. Ceiling Angle is recommended to be used as a ceiling hanger to suspend universal section (Intermediate) from the Soffit/RCC with the Soffit Cleat and approved Fasteners.

Product Properties:

Description	Unit	Range
Flange (A)	mm	24 (+/- 0.50)
Flange (B)	mm	24 (+/- 0.50)
Thickness (C)	mm	0.55 (+/- 0.05)
Standard Length	mm	3050 (+/- 5)
Galvanizing	GSM	120 GSM as per IS277
Yield Strength	MPA	Min.230

Drawing:



False Ceiling Ultraframe™ Ceiling Angle Framing:

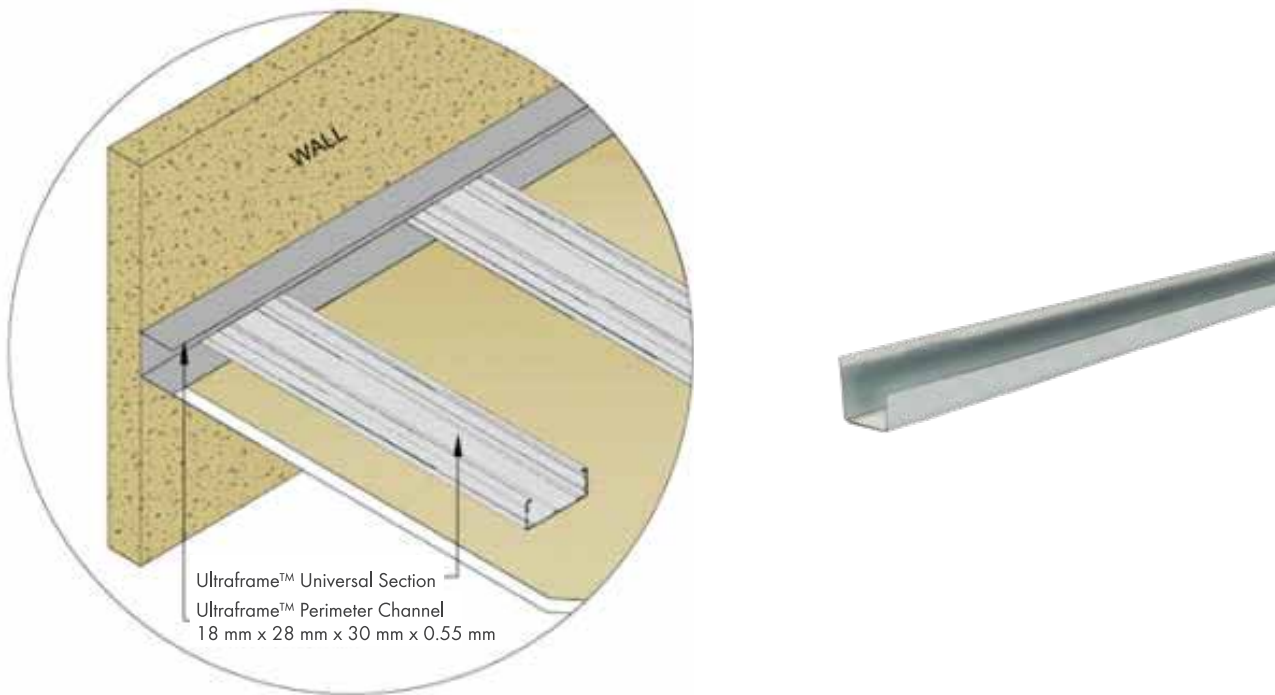
- The Ultraframe™ Ceiling Angle to be spaced at 1220 mm/900 mm/600 mm centers both ways as per the design of specification.
- These are suspended as shown



Safety:

While handling & cutting USGKnauf Ultraframe™ Ceiling Angle, please adhere to the safety guidelines & wear the essential PPE.

USGKnauf Ultraframe Perimeter Channel



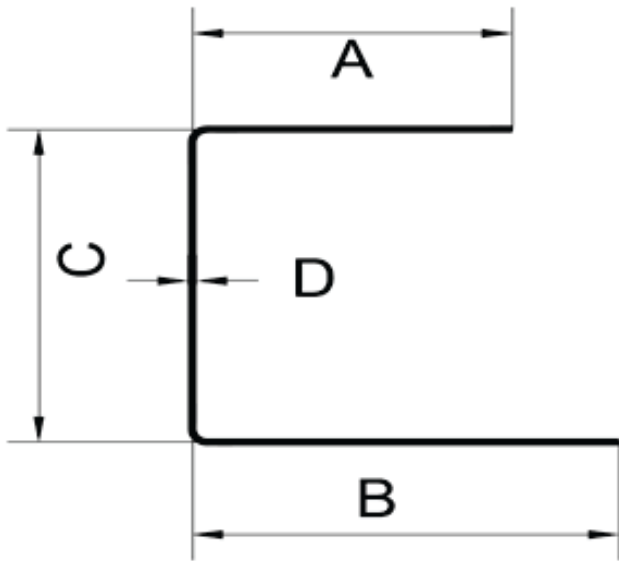
Description:

USGKnauf Ultraframe™ Perimeter Channel is an integral part of USGKnauf Suspended Ceiling System. Ultraframe™ Perimeter Channel is used to fix at the periphery of the brickwall/drywall to receive end of ceiling sections and Intermediate Channel on top. This acts as the frame for the false ceiling.

Product Properties:

Description	Unit	Range
Flange (A)	mm	18 (+/- 0.50)
Flange (B)	mm	30 (+/- 0.50)
Web (C)	mm	28(+/- 0.50)
Thickness	mm	0.55 (+/- 0.05)
Standard Length	mm	3660 (+/- 5)
Galvanizing	GSM	120 GSM as per IS277
Yield Strength	MPA	Min.230

Drawing:



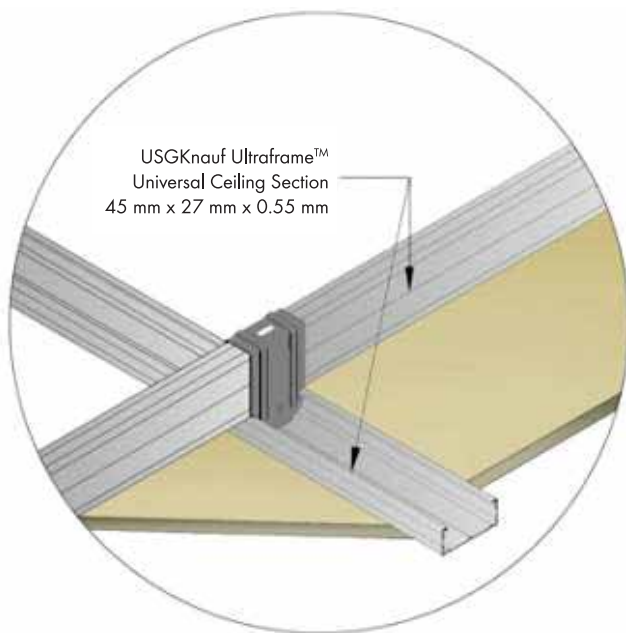
False Ceiling Ultraframe™ Perimeter Channel Framing:

- Ultraframe™ Perimeter Channel is fixed to brickwall/drywall with approval PVC fastener and steel screws at 600 mm c/c.
- First fixing shall not be greater than 50 mm from the fixed edge.

Safety:

While handling & cutting of Ultraframe™ Perimeter Channel, please adhere to the safety guidelines & wear the essential PPE.

USGKnauf Ultraframe™ Universal Ceiling Section



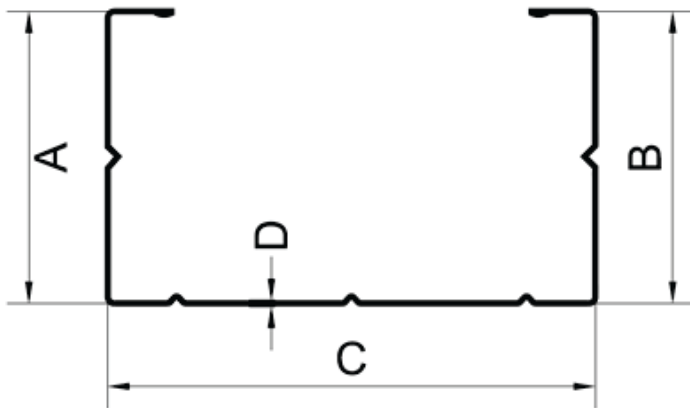
Description:

USGKnauf Ultraframe™ Universal (Ceiling Section) is an integral part of USGKnauf Suspended Ceiling System. This Universal Section is recommended to be used as a cross member & is connected with Universal (Intermediate Channels) through Connecting Clips. The Gypsum boards are secured to the Universal (Ceiling Sections) & are always placed perpendicular to the direction of the boards.

Product Properties:

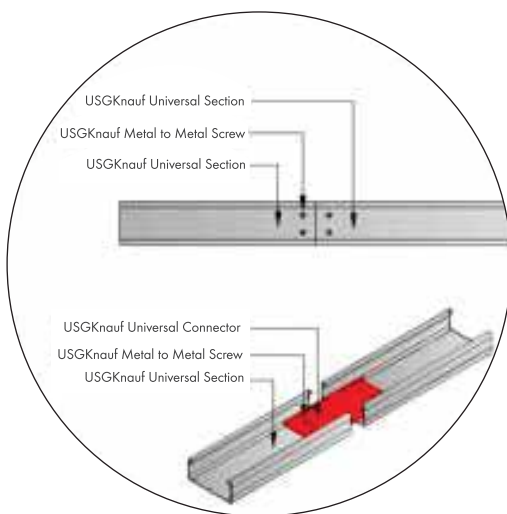
Description	Unit	Range
Flange (A)	mm	27 (+/- 0.50)
Flange (B)	mm	27 (+/- 0.50)
Web (C)	mm	45 (+/- 0.50)
Thickness (D)	mm	0.55 (+/- 0.05)
Standard Length	mm	3660(+/- 5)
Galvanizing	GSM	120 GSM as per IS277
Yield Strength	MPA	Min.230

Drawing:



False Ceiling Ultraframe™ Ceiling System

- The Ultraframe™ Universal Ceiling Section spaced at 457 mm/300 mm centers as per specification.
- The Ultraframe™ Universal Ceiling Section has two flanges which are of dimensions 27 mm each and web is 45 mm. This helps to meet the design considerations.
- These are overlapped as shown at 150 mm centers.



Safety:

While handling & cutting of USGKnauf Ultraframe™ Universal Ceiling Section, please adhere to the safety guidelines & wear the essential PPE.

Knauf India Private Limited

Head Office: 9th Floor Plaza Tower, DLF Phase-1, Gurugram - 122002, Haryana, India

Customer Care No: +91 - 9015147147

Email: info.india@knauf.com

www.usgknauf.com