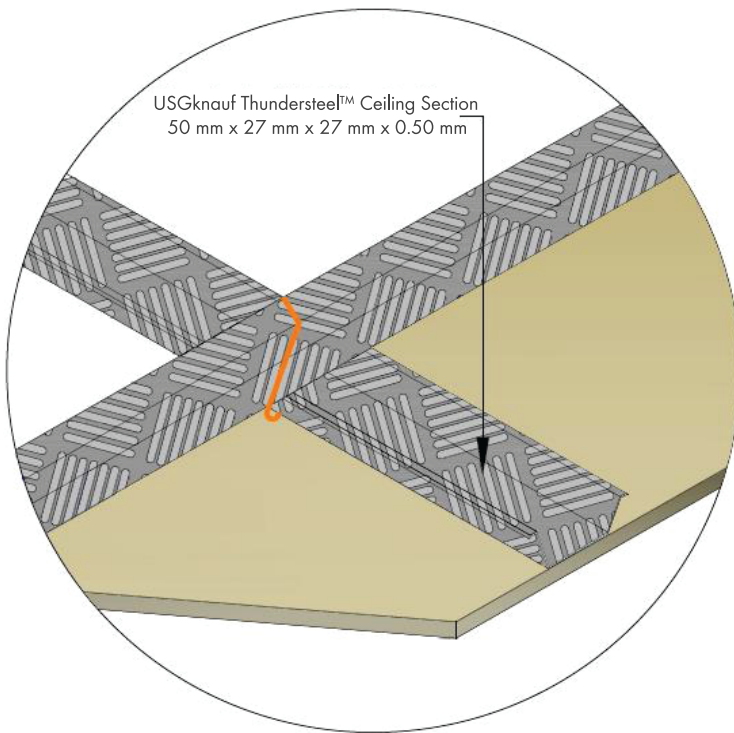


USGKnauf Thundersteel™ Ceiling System

USGKnauf Thundersteel™ Ceiling Section



Description:

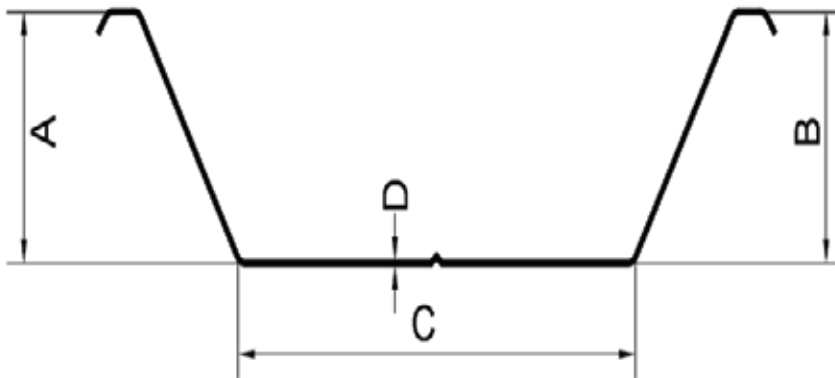
USGKnauf Thundersteel™ Ceiling Section is an integral part of USGKnauf Suspended Ceiling System. Thundersteel™ Ceiling Section is recommended to be used as cross member and is connected with Intermediate Channels through Connecting Clips. The Gypsum boards are secured to the Thundersteel™ (Ceiling Sections) & are always placed perpendicular to the direction of the boards.

These are rolled formed on specially designed automatic machines.

Product Properties:

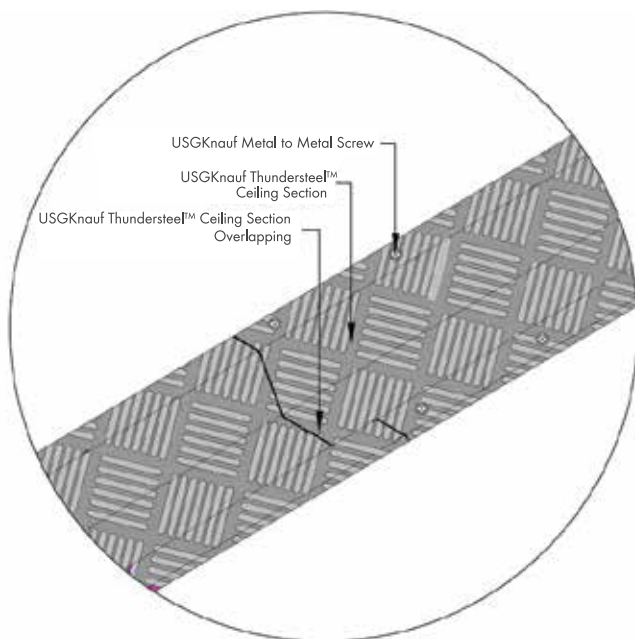
Description	Unit	Range
Flange (A)	mm	27 (+/- 0.50)
Flange (B)	mm	27(+/- 0.50)
Web (C)	mm	51 (+/- 0.50)
Thickness (D)	mm	0.50 (+/- 0.05)
Standard Length	mm	3660 (+/- 5)
Galvanizing	GSM	AZ-150
Yield Strength	MPA	Min. 310

Drawing:



False Ceiling Thundersteel™ Framing:

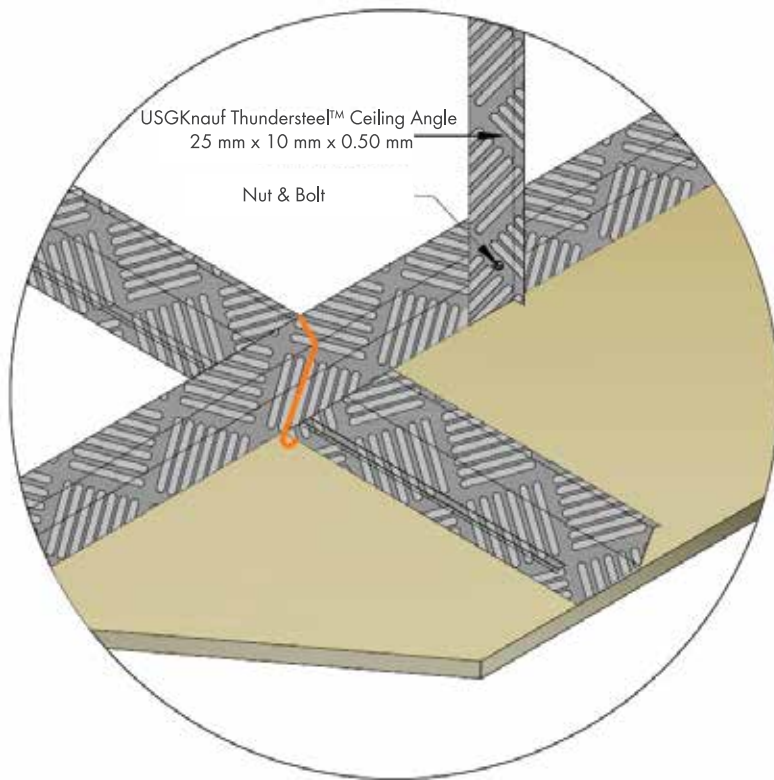
- The Thundersteel™ Ceiling Section spaced at 457 mm/300 mm centers as per specification.
- The Thundersteel™ Ceiling Section have two flanges which are of dimensions 27 mm each web is 50 mm. This helps to meet the design considerations.
- These are overlapped/extended as shown at 150 mm centers.



Safety:

While handling & cutting of USGKnauf Thundersteel™ Ceiling Section, please adhere to the safety guidelines & wear the essential PPE.

USGKnauf Thundersteel™ Ceiling Angle



Description:

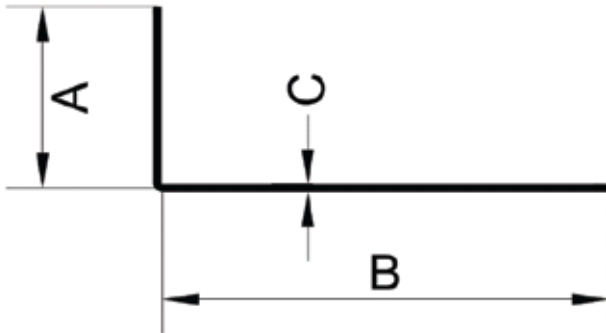
USGKnauf Thundersteel™ Ceiling Angle is an integral part of USGKnauf Suspended Ceiling System. Thundersteel™ Ceiling Angle is recommended to use as a ceiling hanger to suspend Intermediate Channels from the Soffit/RCC with the Soffit Cleat and approved Fasteners.

These are rolled formed on specially designed automatic machines.

Product Properties:

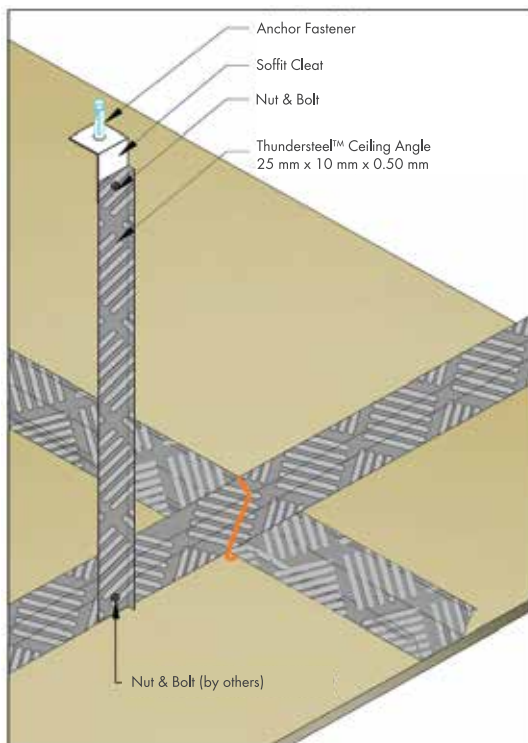
Description	Unit	Range
Flange (A)	mm	10 (+/- 0.50)
Flange (B)	mm	25 (+/- 0.50)
Thickness (C)	mm	0.50 (+/- 0.05)
Standard Length	mm	3660 (+/- 5)
Galvanizing	GSM	AZ-150
Yield Strength	MPA	Min. 310

Drawing:



False Ceiling USGknauf Thundersteel™ Framing:

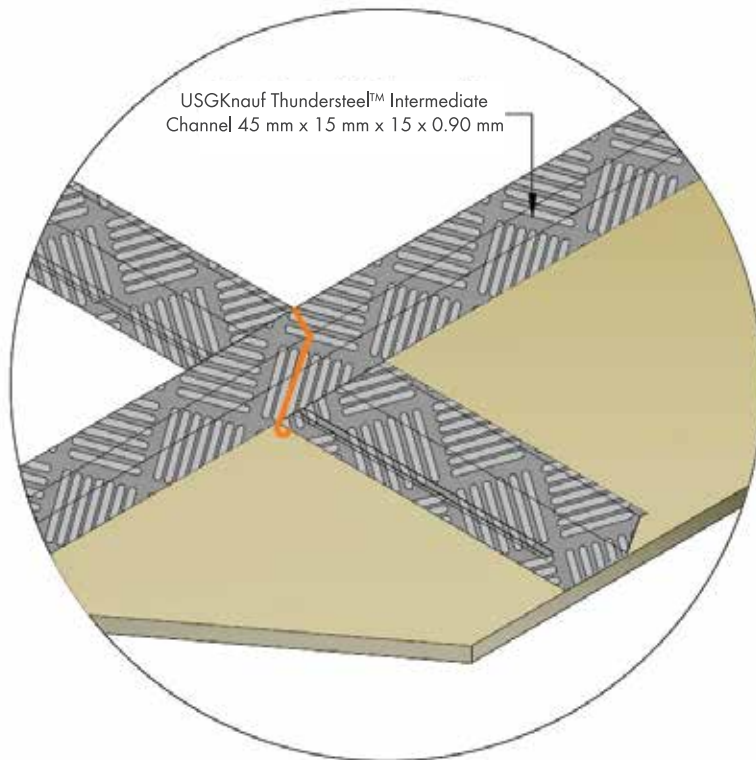
- The Thundersteel™ Ceiling Angle to be spaced at 1200 mm/900 mm/600 mm centers both ways as per the design of specification.
- These are suspended as shown.



Safety:

While handling & cutting of USGKnauf Thundersteel™ Ceiling Angle, please adhere to the safety guidelines & wear the essential PPE.

USGKnauf Thundersteel™ Intermediate Channel



Description:

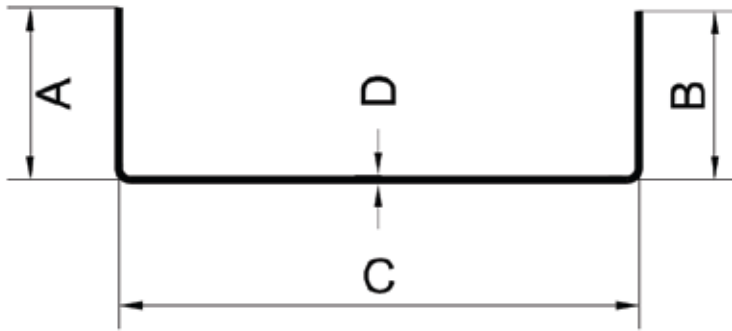
USGKnauf Thundersteel™ Intermediate Channel is an integral part of USGKnauf Suspended Ceiling System. Thundersteel™ Intermediate Channel is the main member and is hung from the Soffit through Ceiling Angle, Soffit Cleat & Fasteners. It is positioned in a perpendicular direction to the ceiling section and each intersection has Connecting Clips which keeps both the sections in place.

These are rolled formed on specially designed automatic machines.

Product Properties:

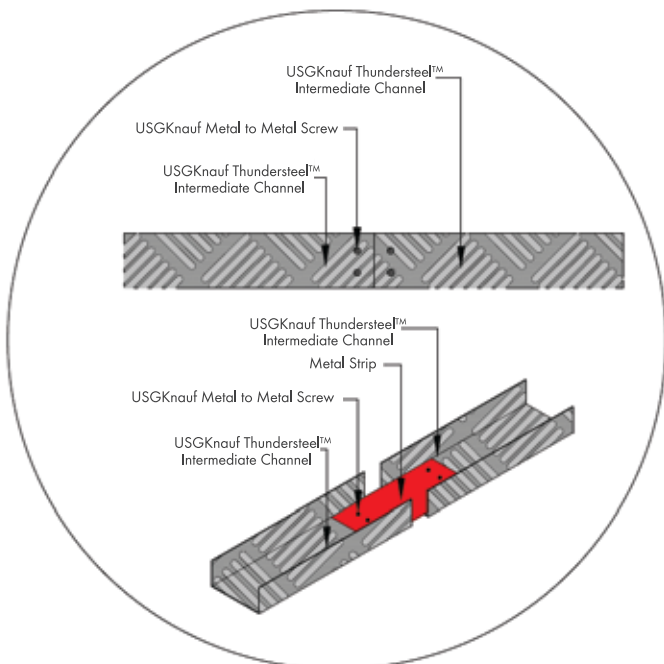
Description	Unit	Range
Flange (A)	mm	15 (+/- 0.50)
Flange (B)	mm	15 (+/- 0.50)
Web (C)	mm	45 (+/- 0.50)
Thickness (D)	mm	0.90 (+/- 0.05)
Standard Length	mm	3660 (+/- 5)
Galvanizing	GSM	AZ-150
Yield Strength	MPA	Min. 310

Drawing:



False Ceiling Thundersteel™ Framing:

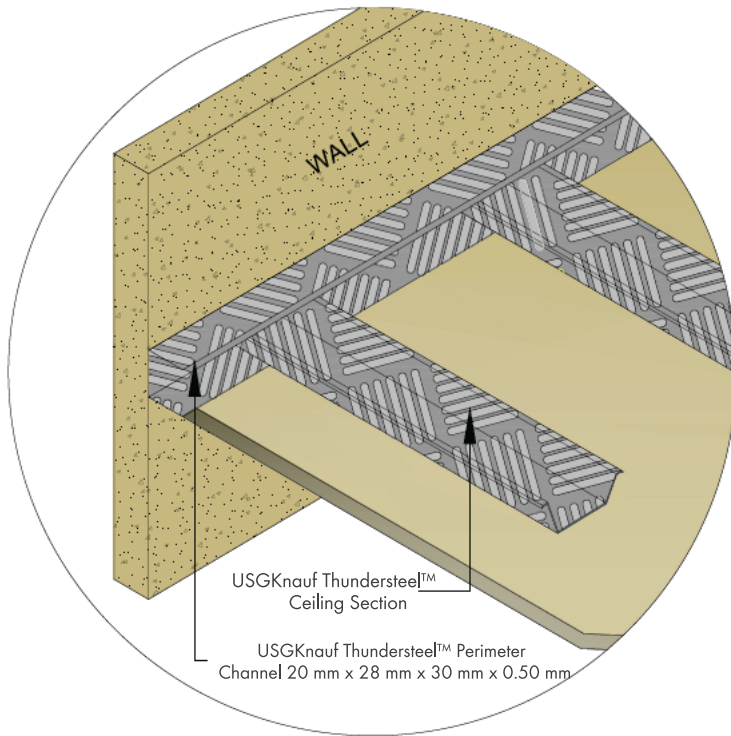
- The Thundersteel™ Intermediate Channel spaced at 1220 mm/900 mm/600 mm centers as per the design of the ceiling system.
- These are overlapped/extended as shown at 150 mm centers.



Safety:

While handling & cutting of USGKnauf Thundersteel™ Intermediate Channel, please adhere to the safety guidelines & wear the essential PPE.

USGKnauf Thundersteel™ Perimeter Channel



Description:

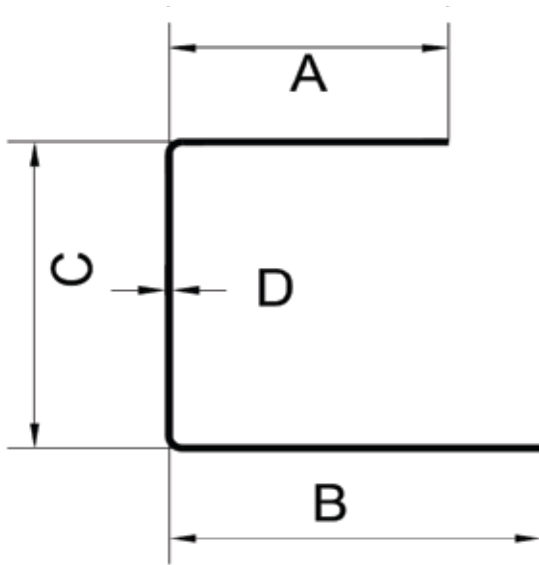
USGKnauf Thundersteel™ Perimeter Channel is an integral part of USGKnauf Suspended Ceiling System. USGKnauf Thundersteel™ Perimeter Channel is used to fix at the periphery of the brick wall/dry wall to receive end of ceiling sections and Intermediate Channel on top. This acts as the frame for the false ceiling.

These are rolled formed on specially designed automatic machines.

Product Properties:

Description	Unit	Range
Flange (A)	mm	20 (+/- 0.50)
Flange (B)	mm	30 (+/- 0.50)
Web (C)	mm	28 (+/- 0.50)
Thickness (D)	mm	0.50 (+/- 0.05)
Standard Length	mm	3660 (+/- 5)
Galvanizing	GSM	AZ-150
Yield Strength	MPA	Min. 310

Drawing:



False Ceiling Thundersteel™ Framing:

- Thundersteel™ Perimeter Channel is fixed to brick wall/dry wall with approved PVC plugs and steel screws at 600 mm c/c.

Safety:

While handling & cutting of Thundersteel™ Perimeter Channel, please adhere to the safety guidelines & wear the essential PPE.

Knauf India Private Limited

Head Office: 9th Floor Plaza Tower, DLF
Phase -1, Gurugram - 122002, Haryana, India

Customer Care No: +91 - 9015147147
Email: info.india@knauf.com

www.usgknauf.com