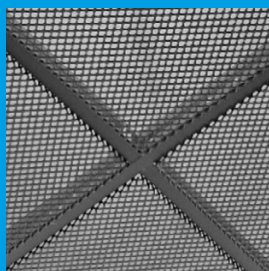


KNAUF

MESH **Board, MicroLook 8,** **Tegular 8, Tegular 14** *Exposed Grid System*

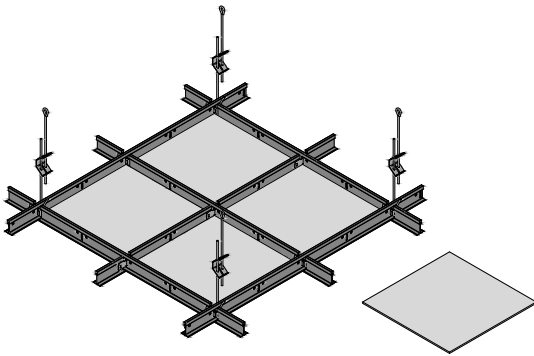


Build on us.

- Use MESH Lay-In to achieve an industrial and contemporary look.
- Lay-In tiles are available in a variety of edge details for installation on standard 15 and 24 mm suspension systems.
- Easily assembled and fully demountable to allow access to the ceiling void.
- Cost effective ceiling solution.
- Used in a variety of ceiling areas: from small service rooms to large commercial office buildings and major transportation terminals.

MESH Exposed Grid System

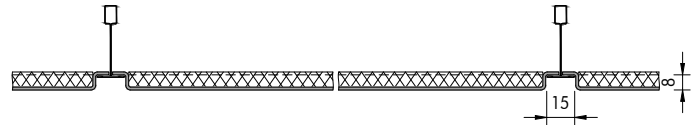
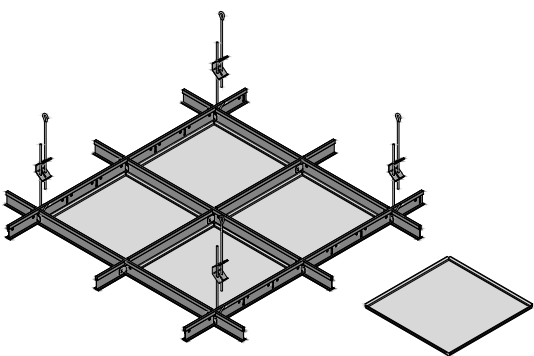
MESH Board



Tiles
 Material post-coated galvanised steel (Y) 1.0 / 1.5 mm
 Edge detail flat sheets, lay-in
 Modules 600 x 600, 625 x 625, 1200 x 600, 1250 x 625 mm

Suspension system
 Standard 24 mm T-grid, butt-cut (System C)

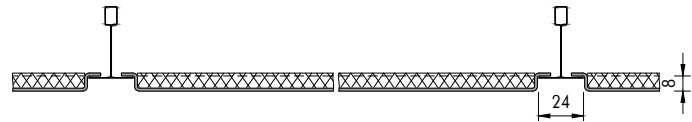
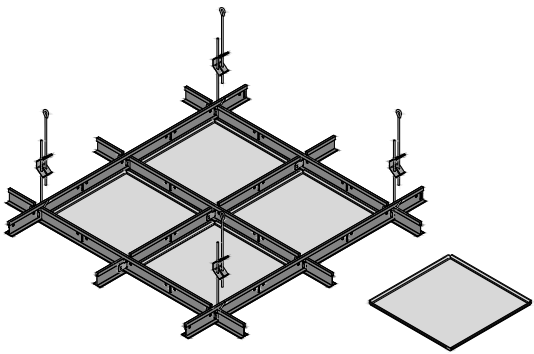
MESH MicroLook 8



Tiles
 Material post-coated galvanised steel (Y) 1.0 mm
 Edge detail square edged lay-in, with =8 mm drop
 Modules 600 x 600 mm

Suspension system
 Standard 15 mm T-grid (System C)
 Optional PERFECTLINE XL²

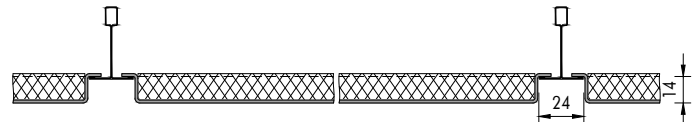
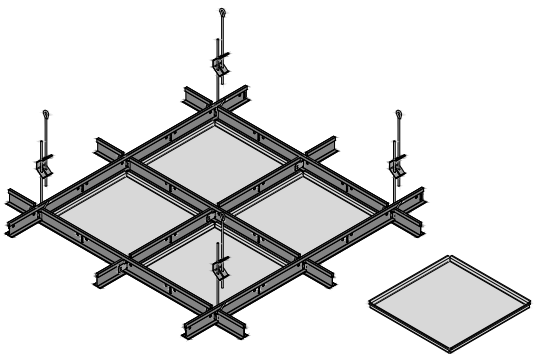
MESH Tegular 8



Tiles
 Material post-coated galvanised steel (Y) 1.0 mm
 Edge detail square edged lay-in, with =8 mm drop
 Modules 600 x 600 mm

Suspension system
 Standard 24 mm T-grid (System C)

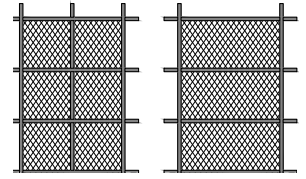
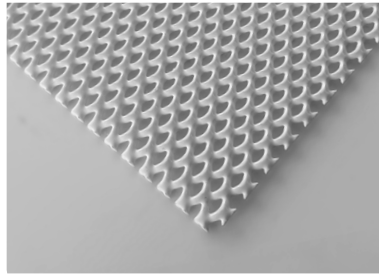
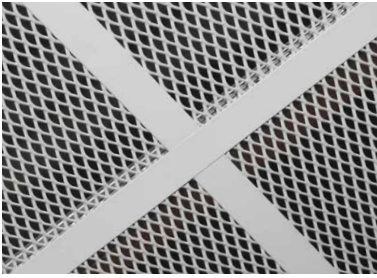
MESH Tegular 14



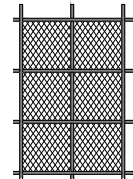
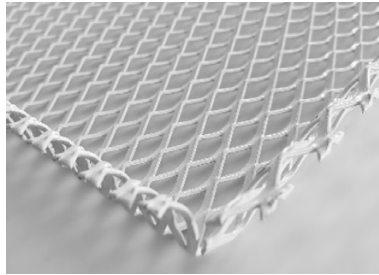
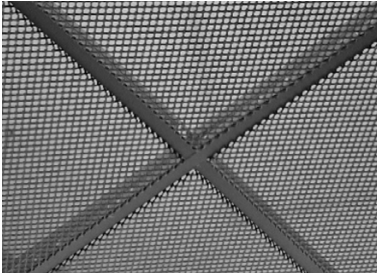
Tiles
 Material post-coated galvanised steel (Y) 1.0 mm
 Edge detail square edged lay-in, with =14 mm drop
 Modules 625 x 625 mm

Suspension system
 Standard 24 mm T-grid (System C)

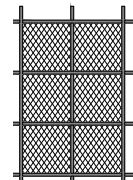
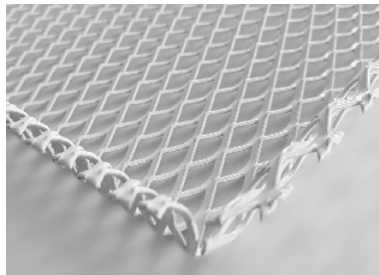
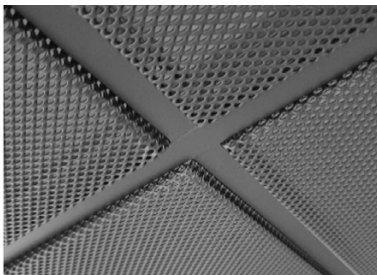
MESH Board



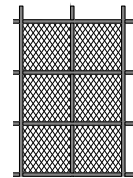
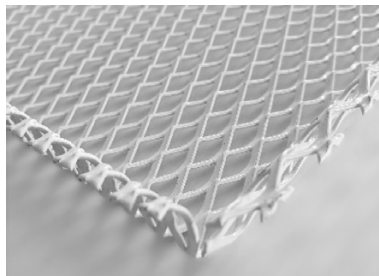
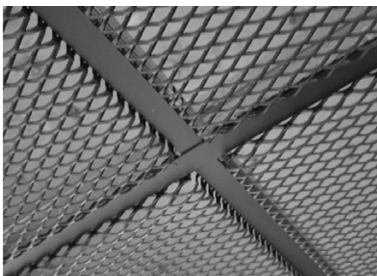
MESH MicroLook 8



MESH Tegular 8

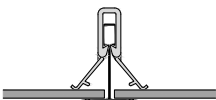


MESH Tegular 14



Hold-down clip option

MESH Board



The hold-down clip option can be used to apply light pressure to the top of the tiles. This is not a security clip solution. Access to the plenum is made more difficult by the use of hold-down clips.

	Standard Patterns				Vario Design Options (on request)							Features	
	KD100	RB25	RB35	RB55	Dimensions	Shapes	Post-coated aluminium	Patterns	RAL colours	Cut-outs	Grid alternatives	Secure function	Hinge-down function
MESH Board	■	■	■	■	■		■	■	■	■			
MESH MicroLook 8	■	■						■	■	■	■		
MESH Tegular 8	■	■						■	■	■			
MESH Tegular 14	■	■						■	■	■			

Characteristic	Detailed information	
Colour / Patterns	RAL 9010 RAL 9006 RAL 9007 RAL 9005 further RAL & NCS colours on request	KD100 Q6 x 4.5 – 1.2 x 1 35% open area (X) = 1.5 mm (Y) = 1.0 mm RB25 R16 x 8 – 2 x 1 50% open area (X) = 3.0 mm (Y) = 1.0 mm RB35 * R28 x 10 – 2 x 1.5 58% open area (X) = 3.5 mm (Y) = 1.5 mm RB55 * R43 x 13 – 2.5 x 1.5 62% open area (X) = 4.0 mm (Y) = 1.0 mm *only for MESH Board further patterns on request
Weight	5.0 – 6.0 kg/m²	
Fire reaction	Euroclass A2-s1, d0 as per EN 13501-1	
Humidity resistance	90% RH	
Indoor air quality	A+ IAC Gold	
Sustainability	EN ISO 14021 17.3% (2023) EPD EN 15804 cradle to cradle SILVER	
Cleanability		