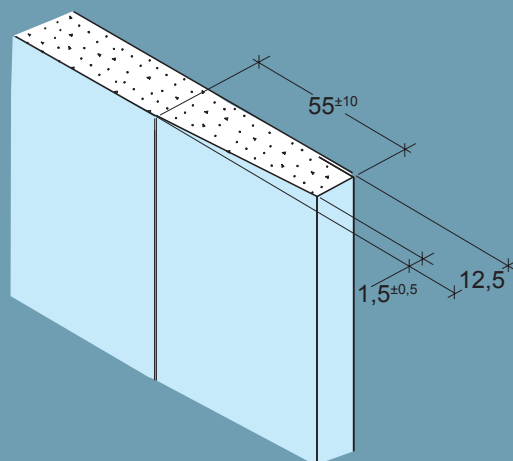
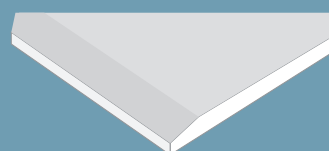


Tapered long edge for easy joint filling

Cut short edge



## Solid Board

### 13 mm I-1

Board type **I**  
Edge **1**

Blad nr.: 15-11.24.1  
Side: 1/1

09/2016

#### Product data

Properties		Value	Unit	
Measures	Name of identification	13	mm	
	Thickness	12,5	mm	
	Width	*	mm	
	Length	*	mm	
	Weight	12,2	kg/m <sup>2</sup>	
Tolerances	Density	976	kg/m <sup>3</sup>	
	Thickness	±0,5	mm	
	Width	+0/-4	mm	
	Length	+0/-4	mm	
	Weight	± 4	%	
	Long edge, parallelism	0	mm	
	Short edge, squareness	2,5	mm/m width	
	Strengths	Flexural strength longitudinal	8,1	MPa
		Flexural strength transverse	3,4	MPa
Thermal	Shear strength per fastener	800	N	
	λ-value	0,25	W/m·K	
	Max. exposure, 5-10 min	≤ 120	°C	
Moisture	Max. exposure, permanent	≤ 50	°C	
	Z - value	0,64	GPa·s·m <sup>2</sup> /kg	
	Water vapour resistance factor	10		
Fire	Linear expansion at 45-90% variation in RF	0,04	%	
	Reaction on fire	A2-s1,d0 (C1)		
Standard	Covering class	K <sub>1</sub> 10		
	Declared type after EN 520	I		

\* please see our product directory

#### Product description

Strong gypsum board type I-1 with glass fibre reinforced gypsum core encased in heavy finished paper folded around the long edges. The gypsum board has a higher density and toughness than standard gypsum boards, For drywalls and ceilings without any visible joints.

The board is supplied with tapered long edge no 1, for easy joint filling, and cut short edges.

#### Application

Knauf Solid Board is to be used indoor for the final layer, where greater impact-resistance is required for example in schools, institutions or hospitals.

#### Cutting and adjustment

Cut the boards to size with a stanley knife or with a hand saw.

#### Identification

Knauf Solid board is marked the following way: The front in the tapered edge of the board: "www.knaufdanogips.com, 13 I-1, date, time".

The middle of the board is marked with dots for indication of placement of screws with the distance of 300 mm.

The back, middle of the board: "Knauf Danogips, production line, team no, 13 I-1, date, time".